

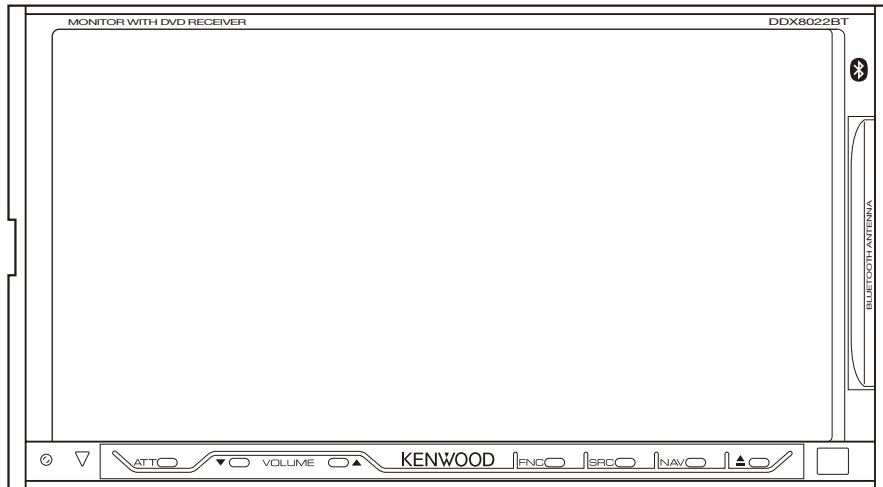
DDX8022BT/8022BTY DDX8032BT/8032BTM/812 DNX8120/8220BT SERVICE MANUAL

KENWOOD

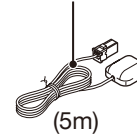
Kenwood Corporation

© 2008-4 PRINTED IN JAPAN
B53-0633-00 (N) 429

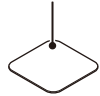
Illustrations is DDX8022BT



ANT module(GPS-ANT)*
(W02-5305-05)



Mounting hardware*
(J21-9867-04)



Screw set*
(N99-1779-15)



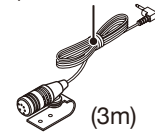
Adhesive double-coated tape*
(H30-0595-04)



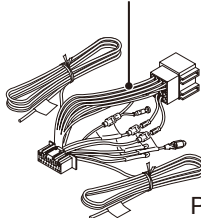
Clamper*
(J11-0660-05)



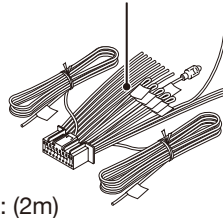
Microphone
(W01-1718-05)



DC cord*
(E30-6825-05)

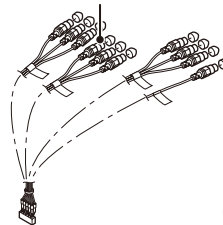


DC cord*
(E30-6824-05)

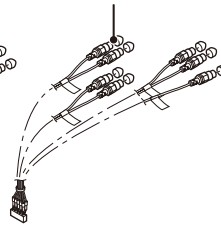


PRK: (2m)
REV: (5m)

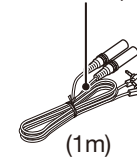
Cord with pinplug(AV)
(E30-6791-05)



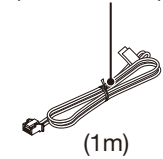
Cord with pinplug(PRE)
(E30-6793-05)



Cord with plug(ipod)*
(E30-6785-05)



Cord with plug(relay)
(E30-6786-05)



Remote controller assy
(A70-2082-15)

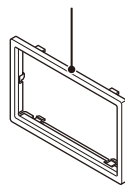


RC-DV330

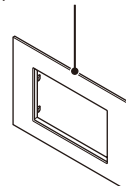
Size AAA battery
Not supplied



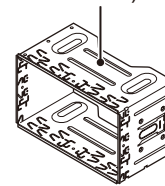
Escutcheon
(B07-3224-01)



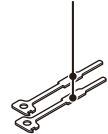
Escutcheon*
(B07-3172-12)



Mounting hardware assy
(J22-0657-03)



Lever
(D10-4589-04) x2

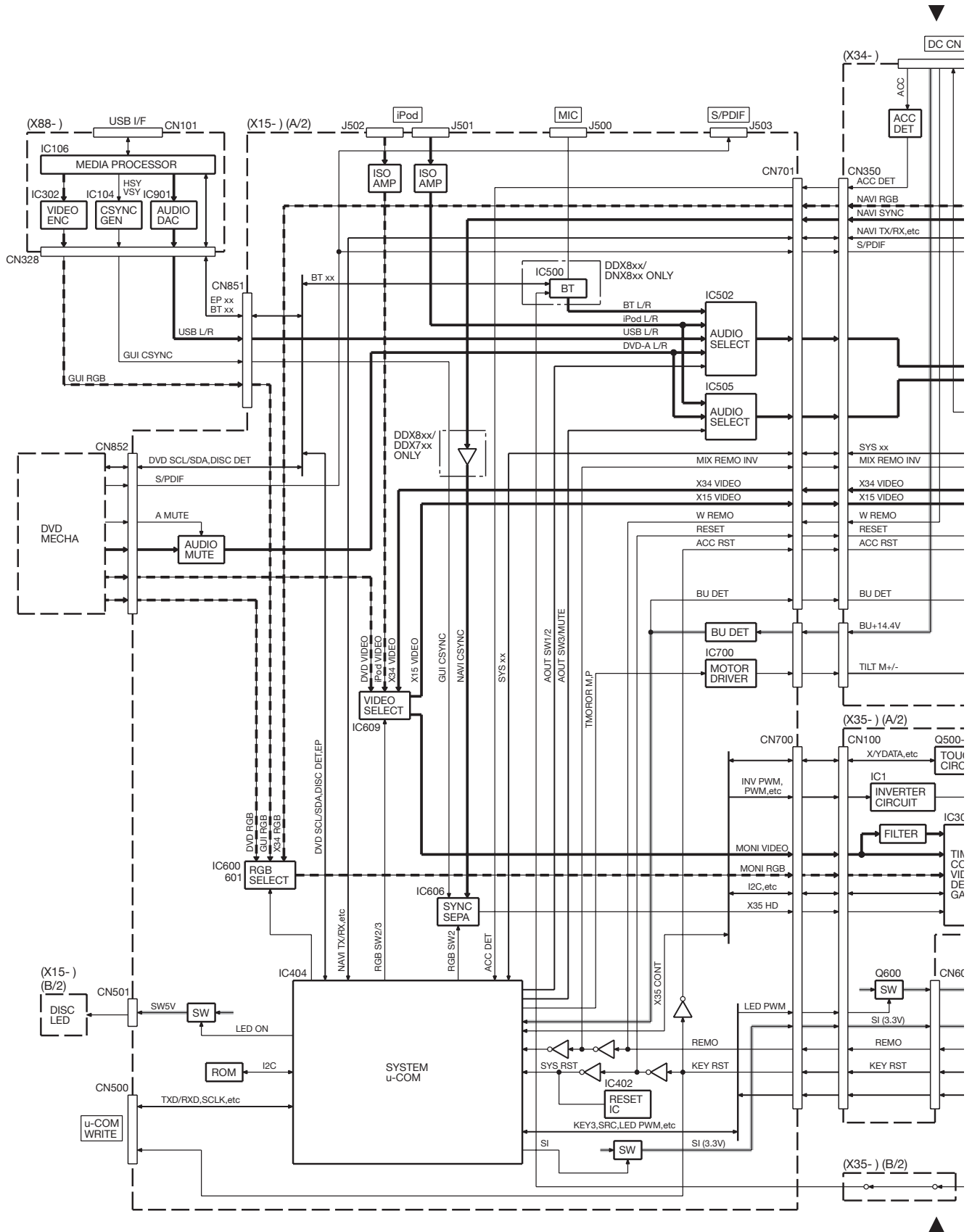


- The IC106 in the Digital I/O unit (X88-2030-10) are not replaceable components. When this IC are defective, replace the whole Digital I/O unit (X88-2030-10).
- The IC5,9,21 and IC60 in the DVD unit (X37-1120-06) are not replaceable components. When these ICs are defective, replace the whole DVD mechanism assembly (X92-6180-01). You cannot replace only the board.
- **Components Description, Microcomputer's Terminal Description, Test Mode and Adjustment are the same as DDX7032's.**
Please refer to the service manual (DDX7032's: B53-0634-00).

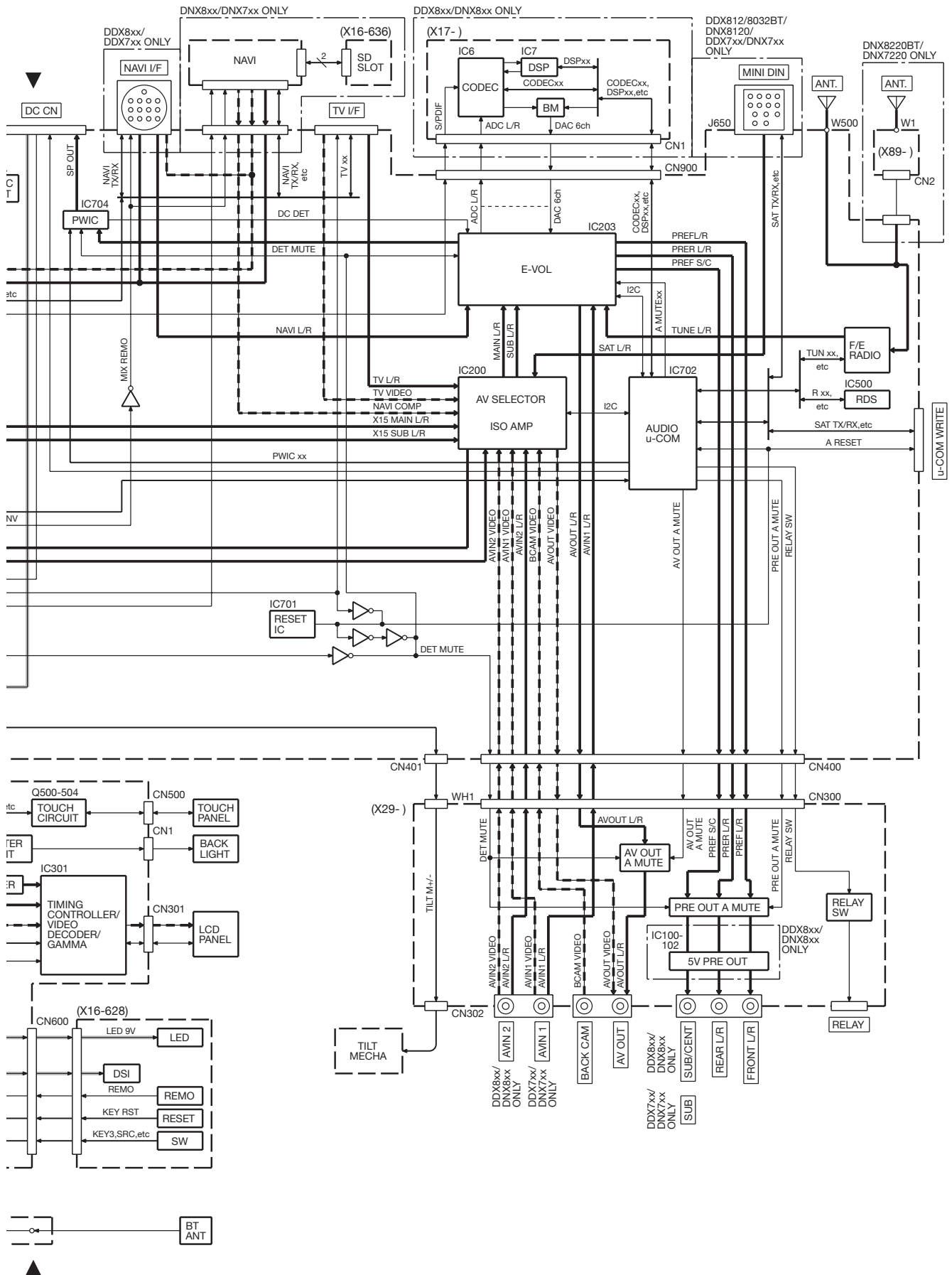
* Depends on the models. Refer to the parts list.



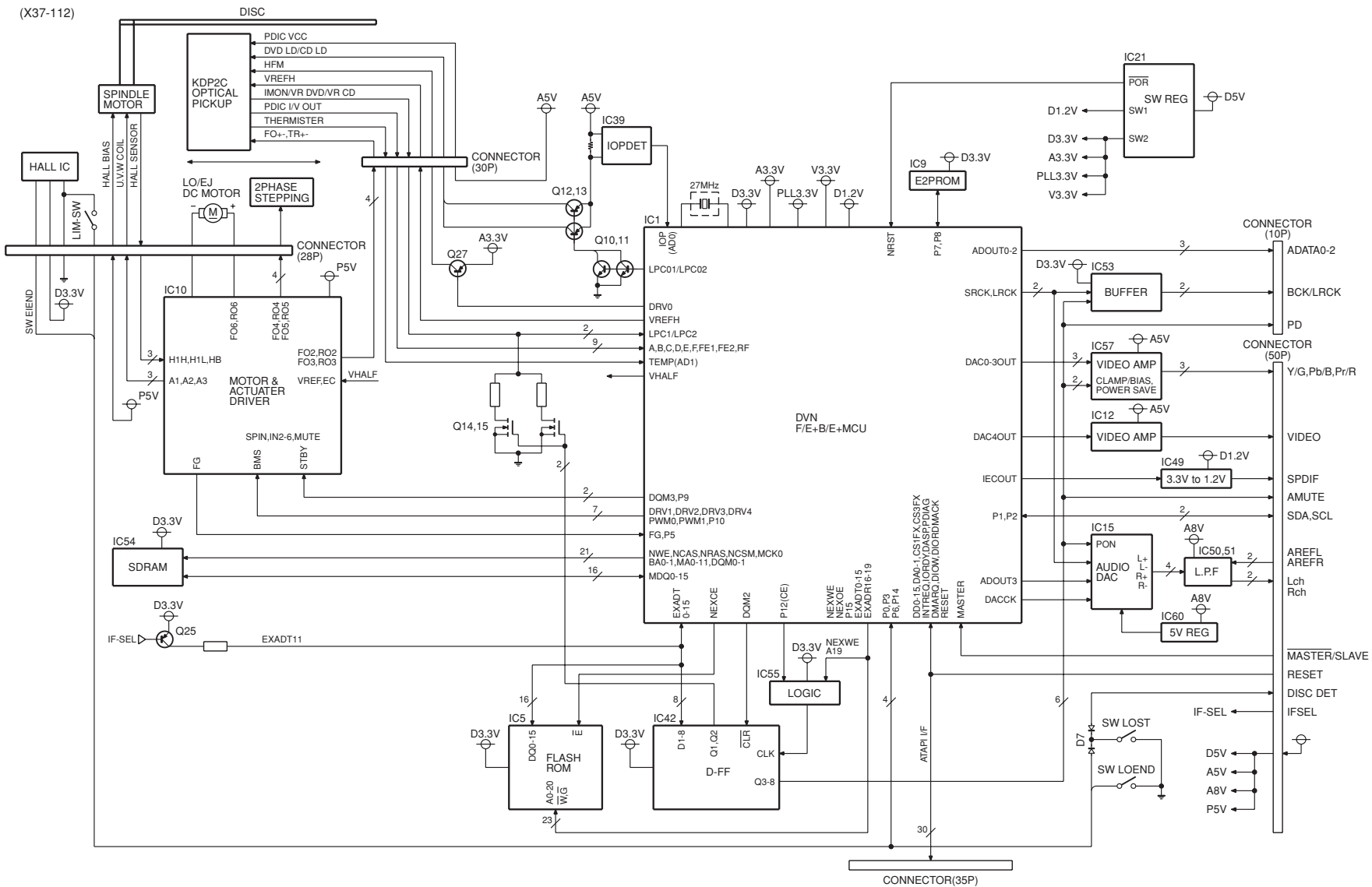
BLOCK DIAGRAM



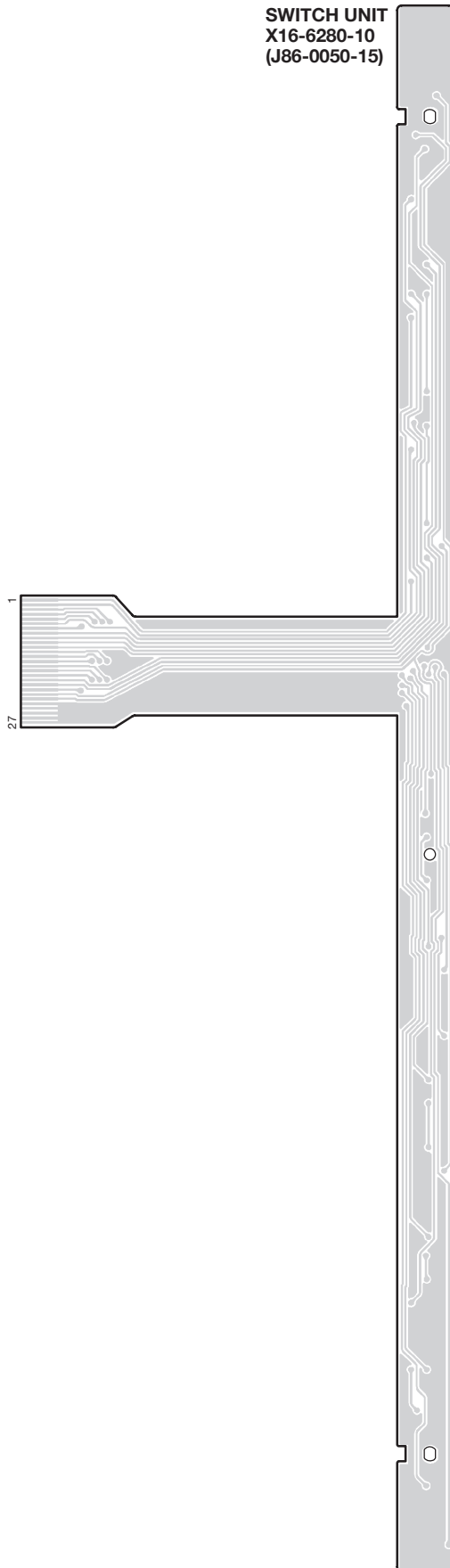
BLOCK DIAGRAM



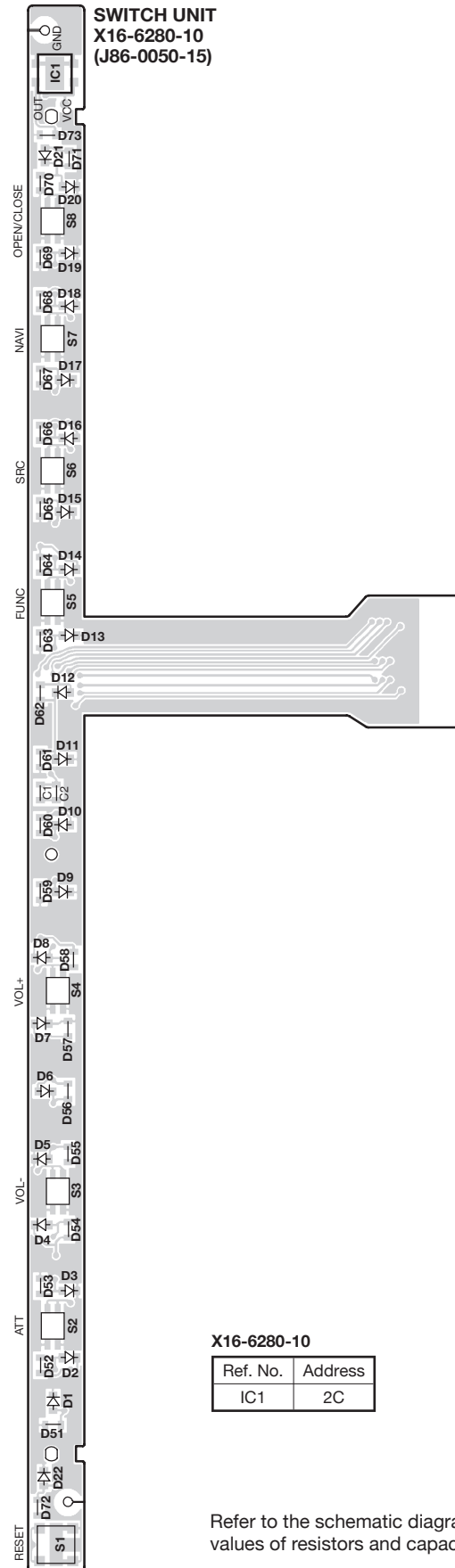
BLOCK DIAGRAM



PC BOARD (COMPONENT SIDE VIEW)



PC BOARD (FOIL SIDE VIEW)



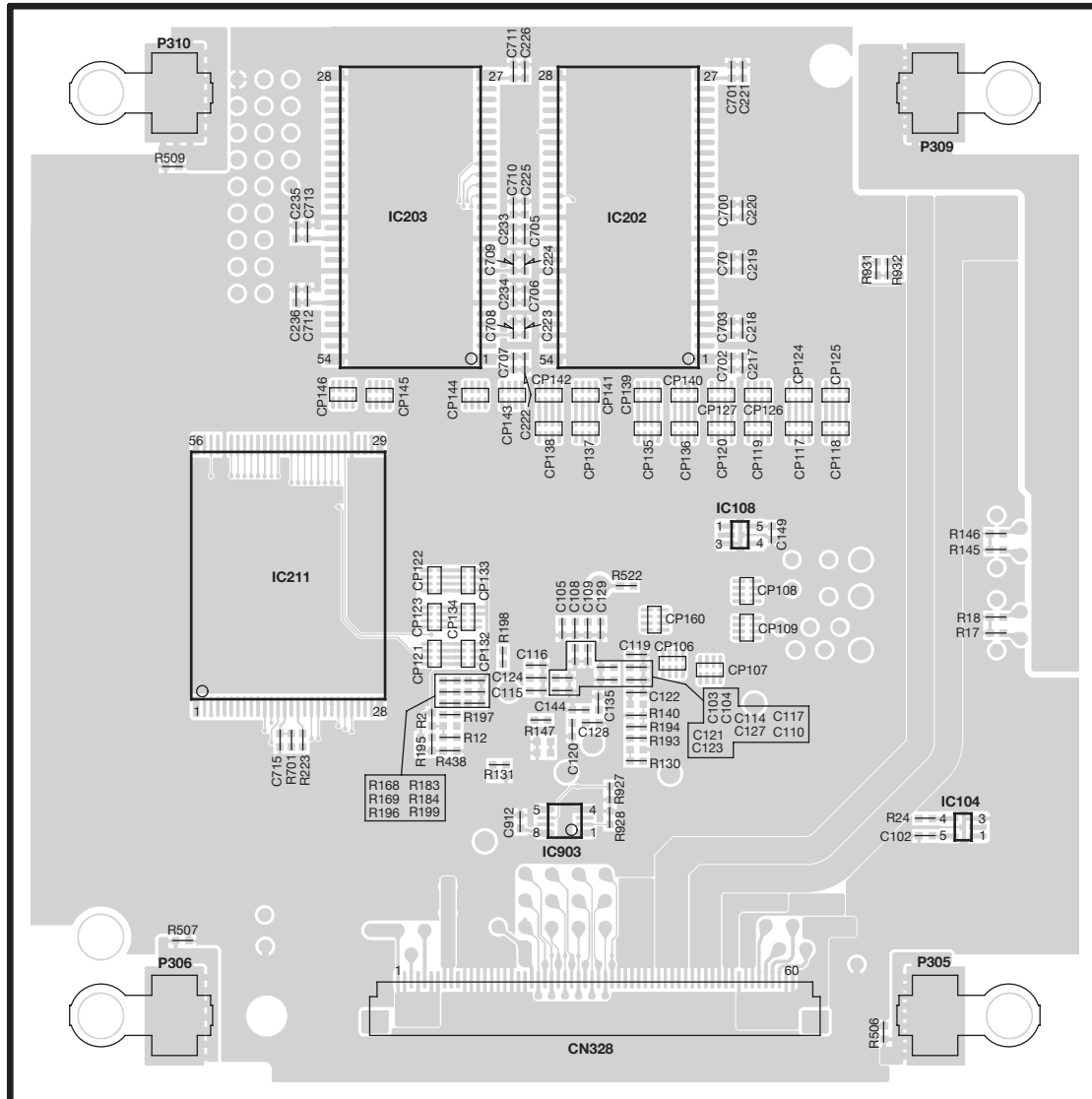
X16-6280-10

Ref. No.	Address
IC1	2C

Refer to the schematic diagram for the values of resistors and capacitors.

PC BOARD (FOIL SIDE VIEW)

DIGITAL I/O UNIT X88-2030-10 (J76-0512-12)



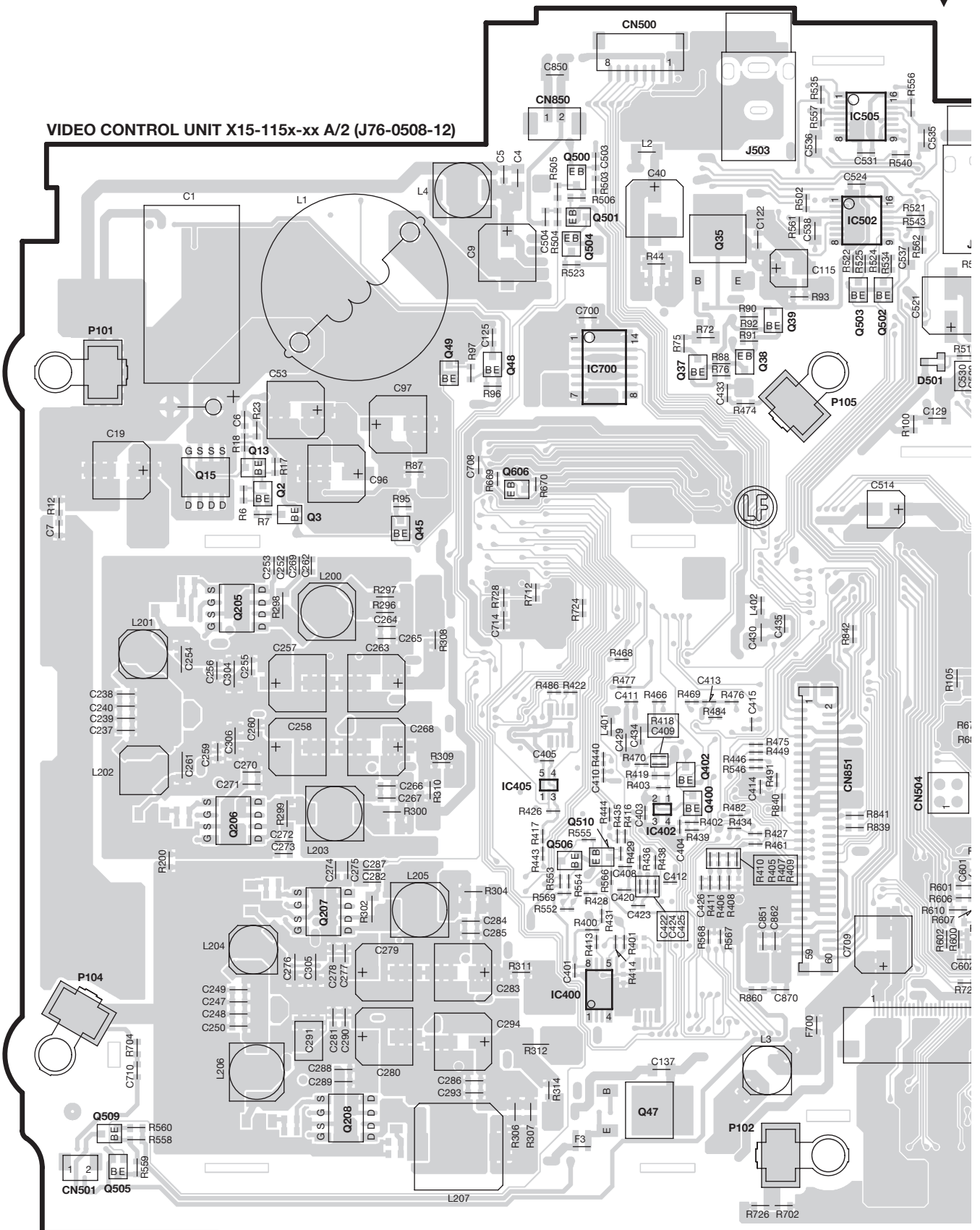
X88-2030-10

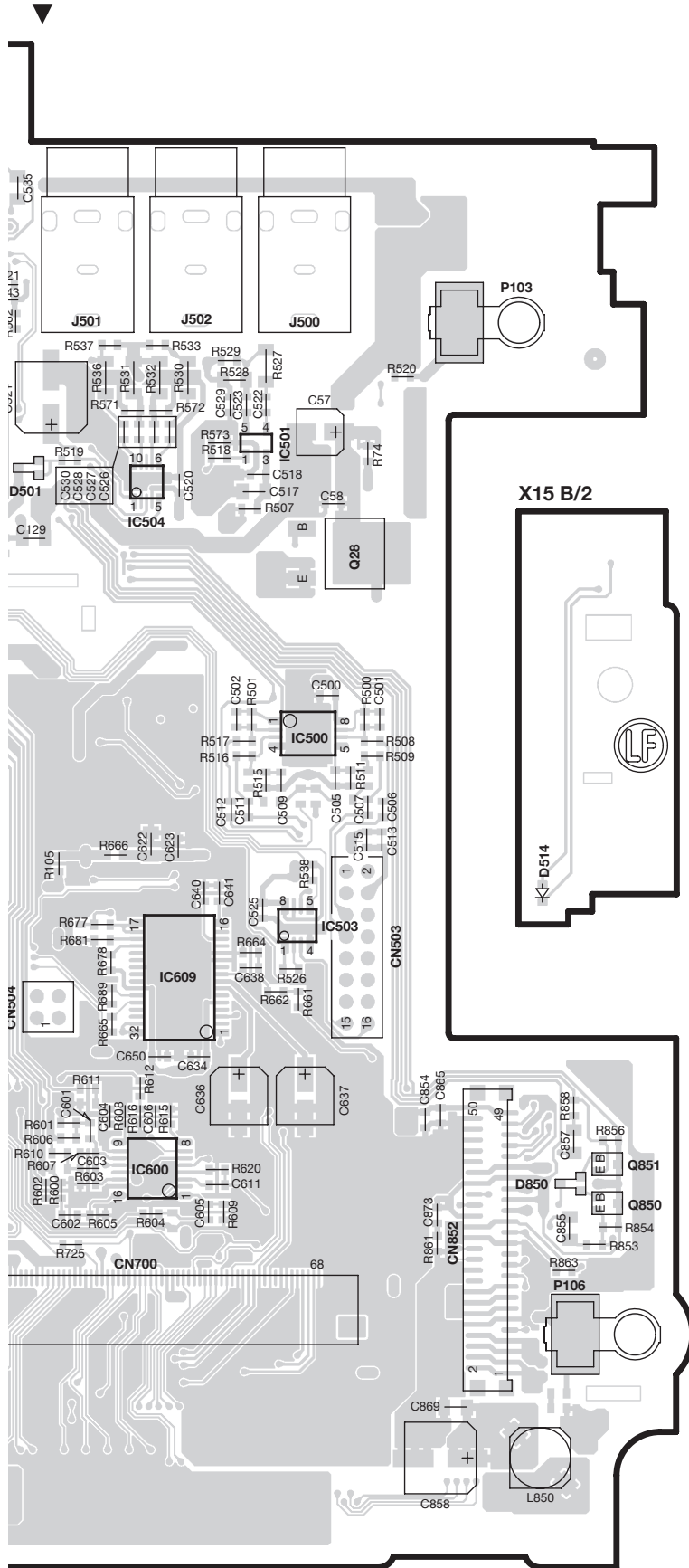
Ref. No.	Address
IC104	4N
IC108	3M
IC202	2M
IC203	2L
IC211	3L
IC903	4M

Refer to the schematic diagram for the values of resistors and capacitors.

PC BOARD (COMPONENT SIDE VIEW)

VIDEO CONTROL UNIT X15-115x-xx A/2 (J76-0508-12)

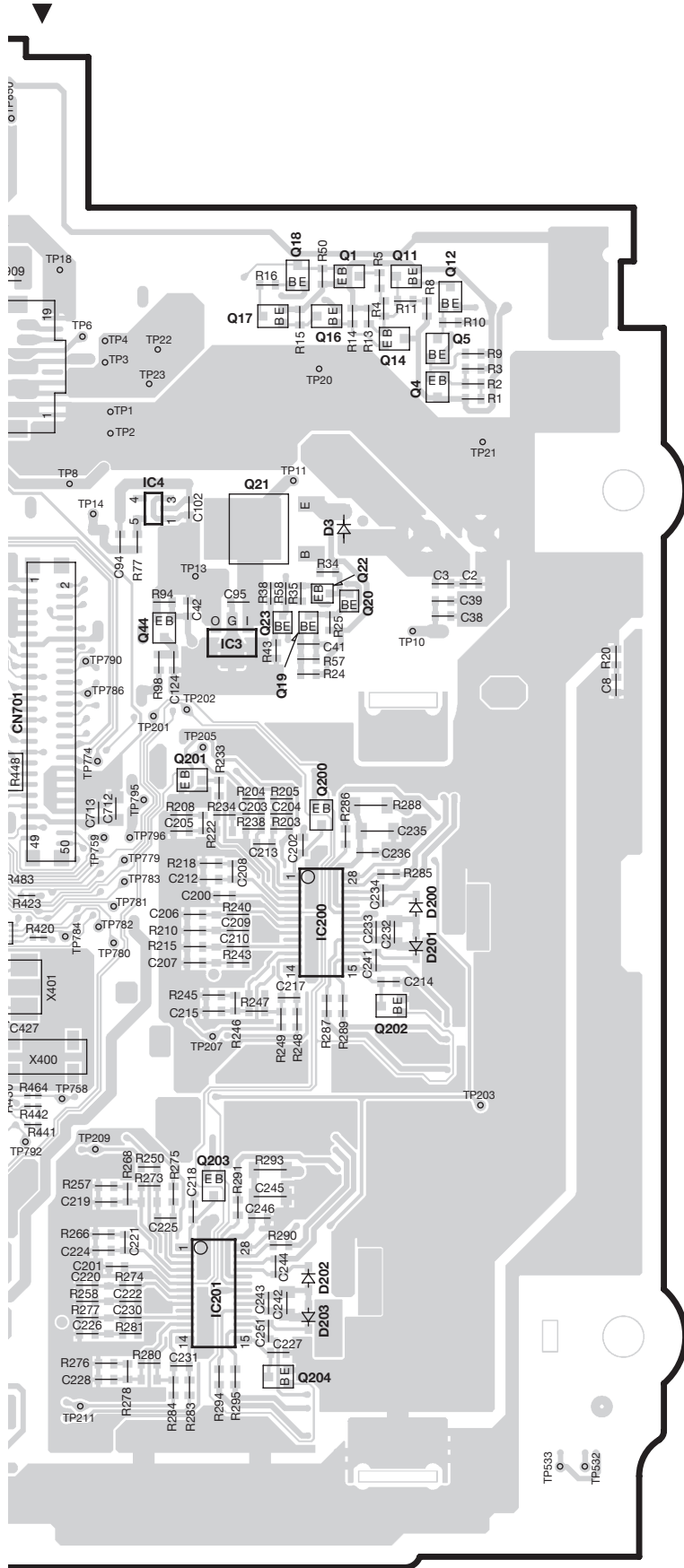




X15-115x-xx

Ref. No.	Address
IC400	6S
IC402	5S
IC405	5R
IC500	4V
IC501	3V
IC502	2T
IC503	5V
IC504	3U
IC505	2T
IC600	5U
IC609	5U
IC700	3S
Q2	4Q
Q3	4Q
Q13	3Q
Q15	3Q
Q28	3V
Q35	2S
Q37	3S
Q38	3T
Q39	3T
Q45	4R
Q47	6S
Q48	3R
Q49	3R
Q205	4Q
Q206	5Q
Q207	5Q
Q208	6R
Q400	5S
Q402	5S
Q500	2S
Q501	2S
Q502	3T
Q503	3T
Q504	2S
Q505	7P
Q506	5S
Q509	6P
Q510	5S
Q606	3R
Q850	6W
Q851	5W

Refer to the schematic diagram for the values of resistors and capacitors.



X15-115x-xx

Ref. No.	Address
IC3	4AE
IC4	3AE
IC8	4AB
IC200	5AF
IC201	6AE
IC404	5AD
IC601	6AB
IC604	4AB
IC606	4AB
IC608	5AB
IC612	4AB
Q1	2AF
Q4	3AF
Q5	2AF
Q11	2AF
Q12	2AF
Q14	2AF
Q16	2AF
Q17	2AE
Q18	2AF
Q19	4AF
Q20	3AF
Q21	3AE
Q22	3AF
Q23	3AE
Q29	3AB
Q31	3AA
Q32	3AB
Q44	3AE
Q46	6AD
Q200	4AF
Q201	4AE
Q202	5AF
Q203	5AE
Q204	6AF
Q403	4AC
Q404	4AC
Q507	2AC
Q508	2AC
Q600	6AA
Q601	6AA
Q602	6AA
Q603	6AA
Q604	6AA
Q605	6AA
Q700	1AD
Q852	6Z

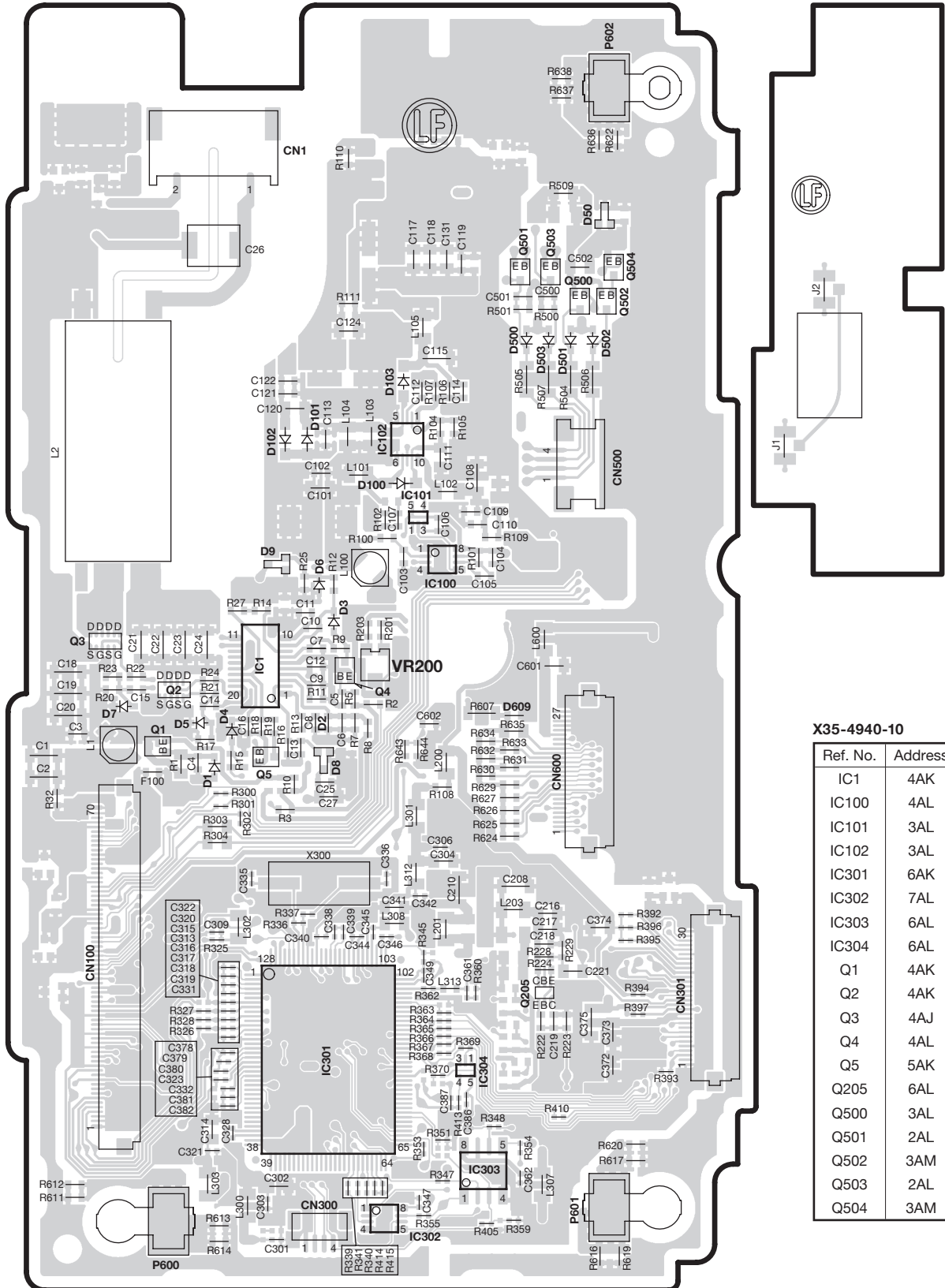
Refer to the schematic diagram for the values of resistors and capacitors.

DDX8022BT/8022BTY/8032BT/8032BTM/812
DNX8120/8220BT

PC BOARD (COMPONENT SIDE VIEW)

VIDEO UNIT X35-4940-10 A/2 (J76-0511-12)

X35 B/2



X35-4940-10

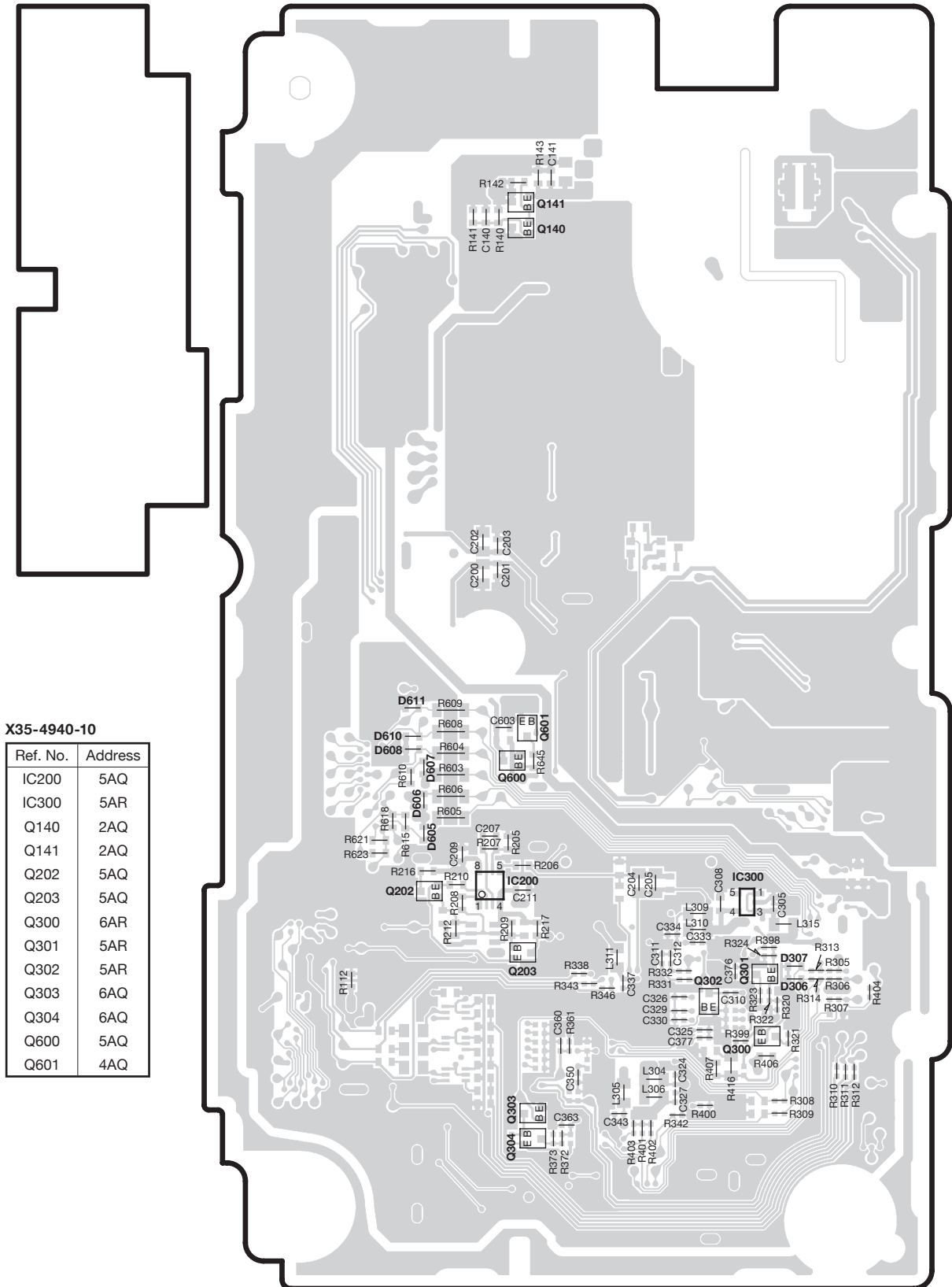
Ref. No.	Address
IC1	4AK
IC100	4AL
IC101	3AL
IC102	3AL
IC301	6AK
IC302	7AL
IC303	6AL
IC304	6AL
Q1	4AK
Q2	4AK
Q3	4AJ
Q4	4AL
Q5	5AK
Q205	6AL
Q500	3AL
Q501	2AL
Q502	3AM
Q503	2AL
Q504	3AM

Refer to the schematic diagram for the values of resistors and capacitors.

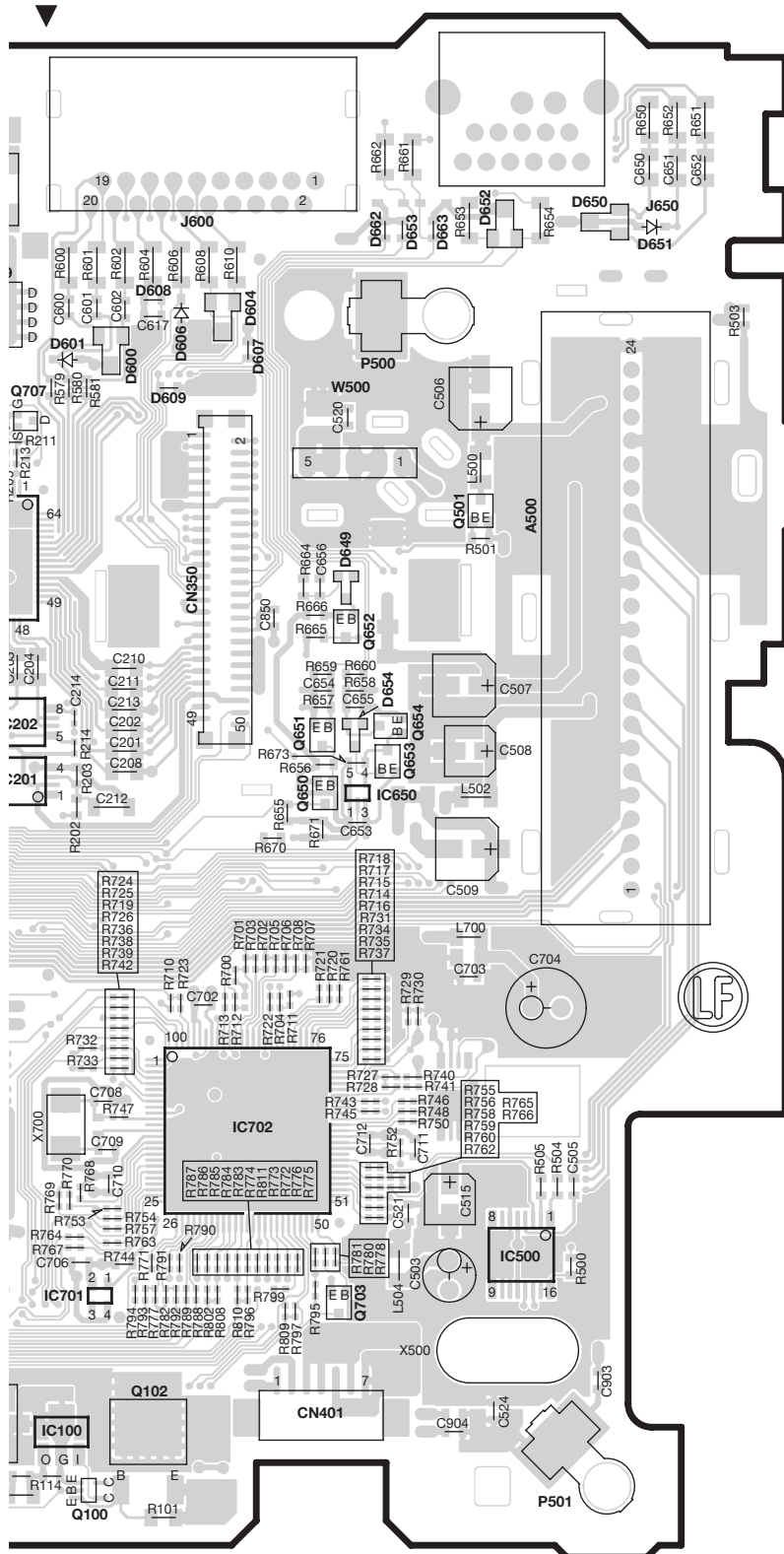
PC BOARD (FOIL SIDE VIEW)

X35 B/2

VIDEO UNIT X35-4940-10 A/2 (J76-0511-12)



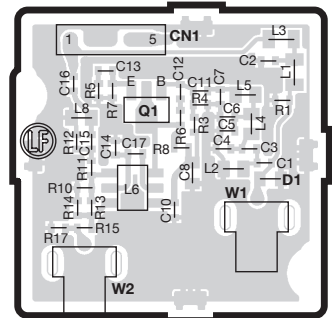
Refer to the schematic diagram for the values of resistors and capacitors.



X34-584x-xx

Ref. No.	Address	Ref. No.	Address
IC100	6AY	Q10	4AW
IC101	5AV	Q11	4AV
IC102	4AV	Q13	4AW
IC104	3AX	Q100	7AY
IC105	4AV	Q101	4AW
IC106	6AV	Q102	6AY
IC200	3AX	Q103	4AW
IC201	4AX	Q105	6AU
IC202	4AX	Q115	6AV
IC203	5AW	Q119	2AX
IC300	5AX	Q120	5AV
IC500	6AZ	Q121	5AU
IC550	3AX	Q122	5AU
IC650	4AZ	Q200	3AX
IC701	6AY	Q501	3AZ
IC702	5AY	Q650	4AZ
IC704	4AU	Q651	4AZ
IC705	5AV	Q652	4AZ
Q1	4AW	Q653	4AZ
Q2	3AW	Q654	4AZ
Q4	3AW	Q703	6AZ
Q6	3AW	Q705	3AX
Q8	3AV	Q707	3AX

DAUGHTER UNIT
X89-3062-71 (J76-0526-12)
only DNX E type



X89-3062-71

Ref. No.	Address
Q1	6BB

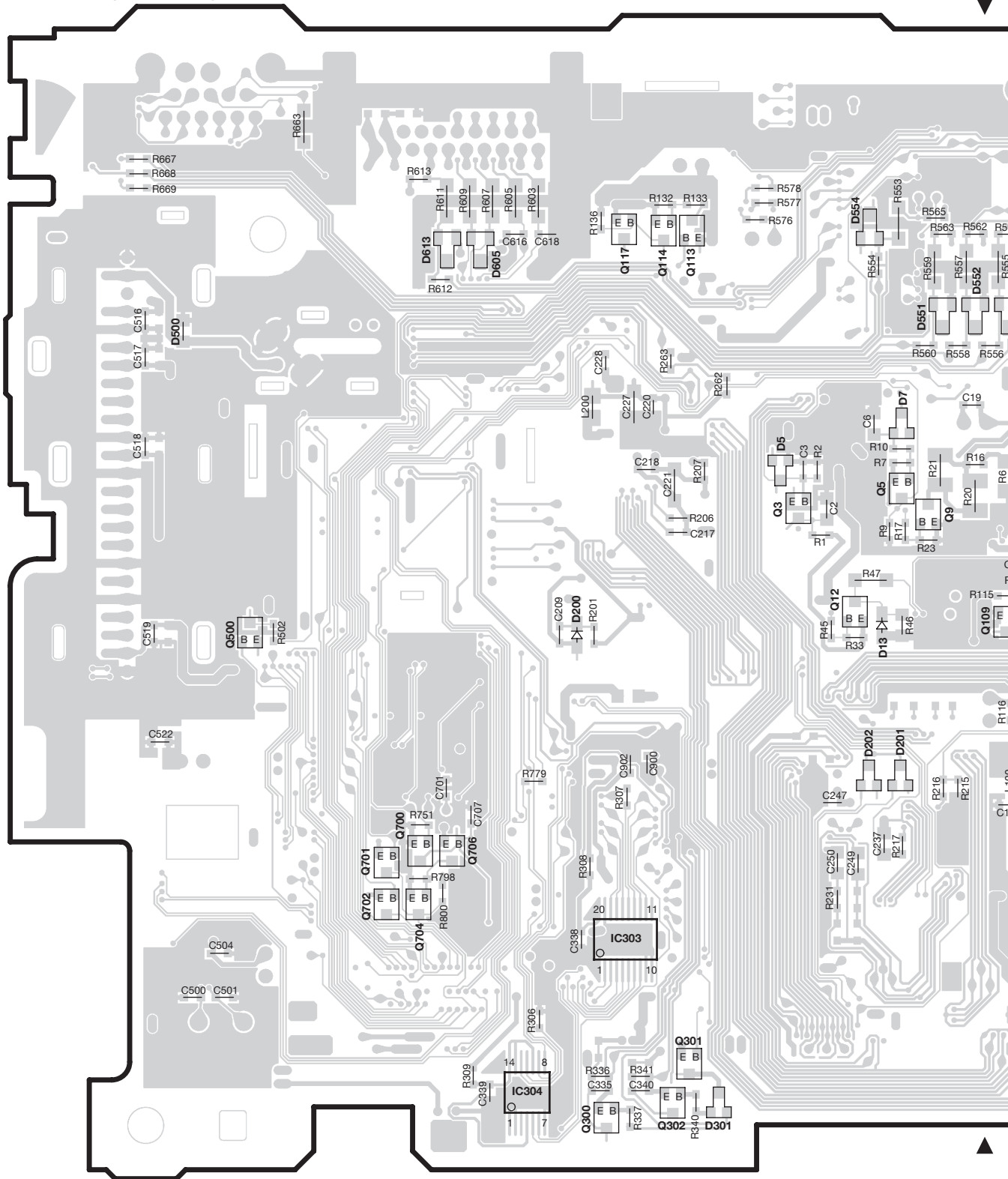
Refer to the schematic diagram for the values of resistors and capacitors.

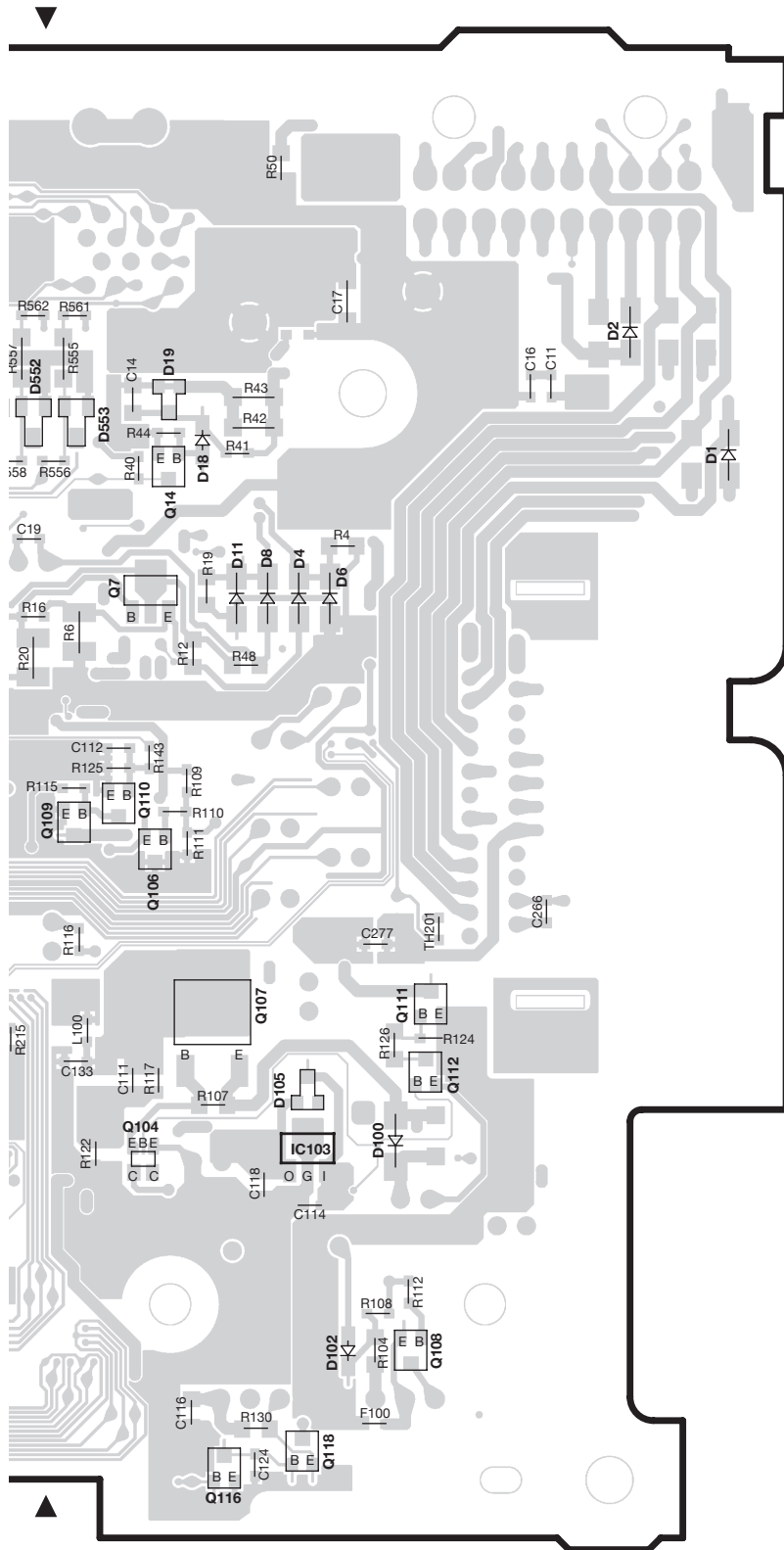
DDX8022BT/8022BTY/8032BT/8032BTM/812
DNX8120/8220BT

PC BOARD (FOIL SIDE VIEW)

ELECTRIC UNIT

X34-584x-xx (J76-0509-12)

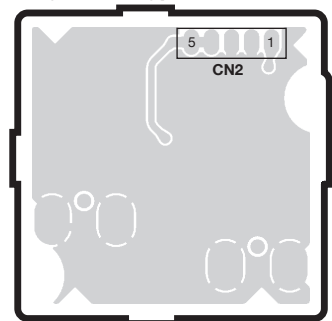




X34-584x-xx

Ref. No.	Address
IC103	5BJ
IC303	6BG
IC304	6BF
Q3	4BG
Q5	4BH
Q7	3BI
Q9	4BH
Q14	3BI
Q104	5BI
Q106	4BI
Q107	5BI
Q108	6BJ
Q109	4BI
Q110	4BI
Q111	5BJ
Q112	5BJ
Q113	3BG
Q114	3BG
Q116	6BI
Q117	3BG
Q118	6BJ
Q300	6BG
Q301	6BG
Q302	6BG
Q500	4BE
Q700	5BF
Q701	5BF
Q702	5BF
Q704	6BF
Q706	5BF

DAUGHTER UNIT
X89-3062-71 (J76-0526-12)
only DNX E type

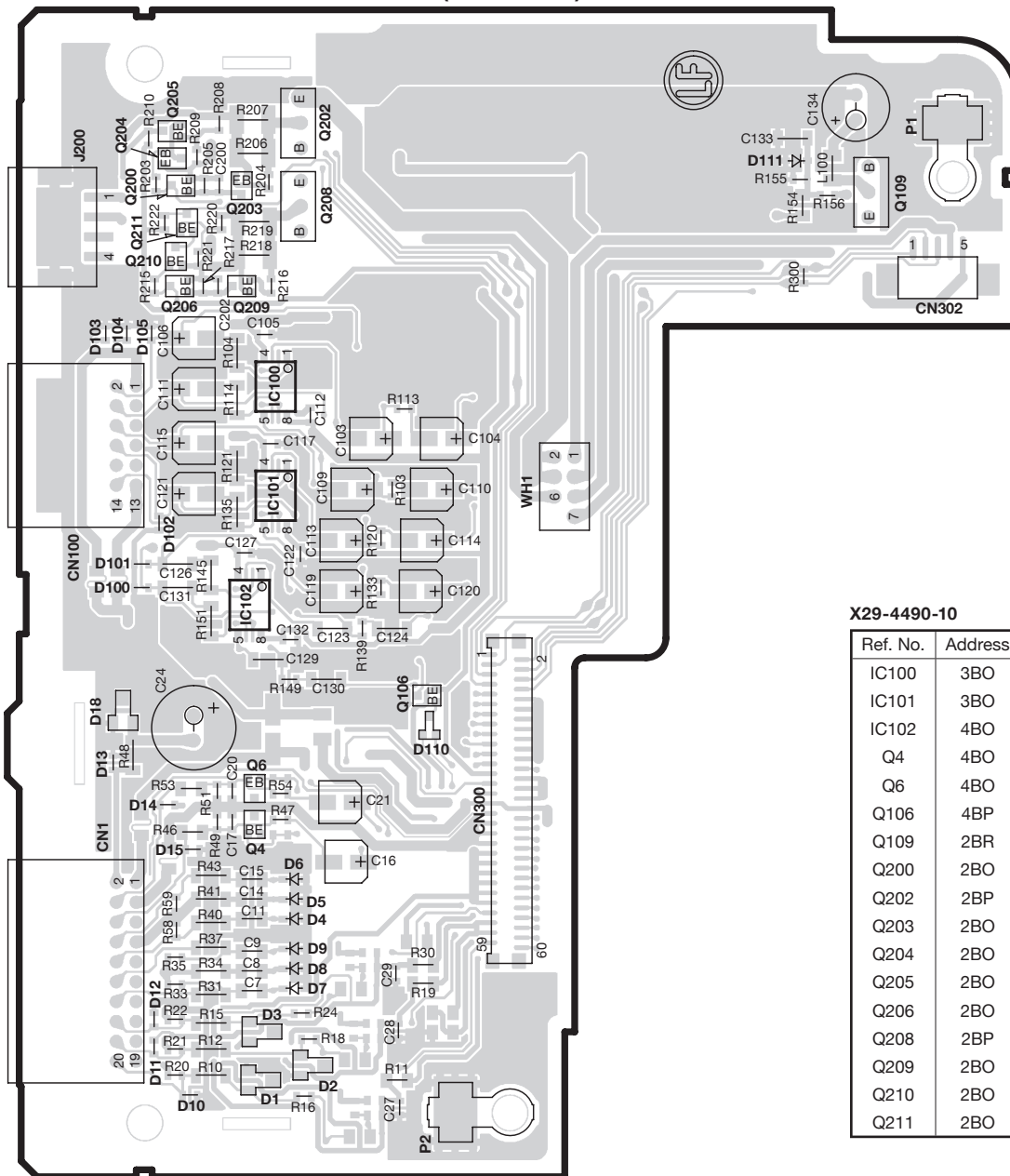


Refer to the schematic diagram for the values of resistors and capacitors.

DDX8022BT/8022BTY/8032BT/8032BTM/812
DNX8120/8220BT

PC BOARD (COMPONENT SIDE VIEW)

CONTROL CIRCUIT UNIT X29-4490-10 (J76-0510-12)



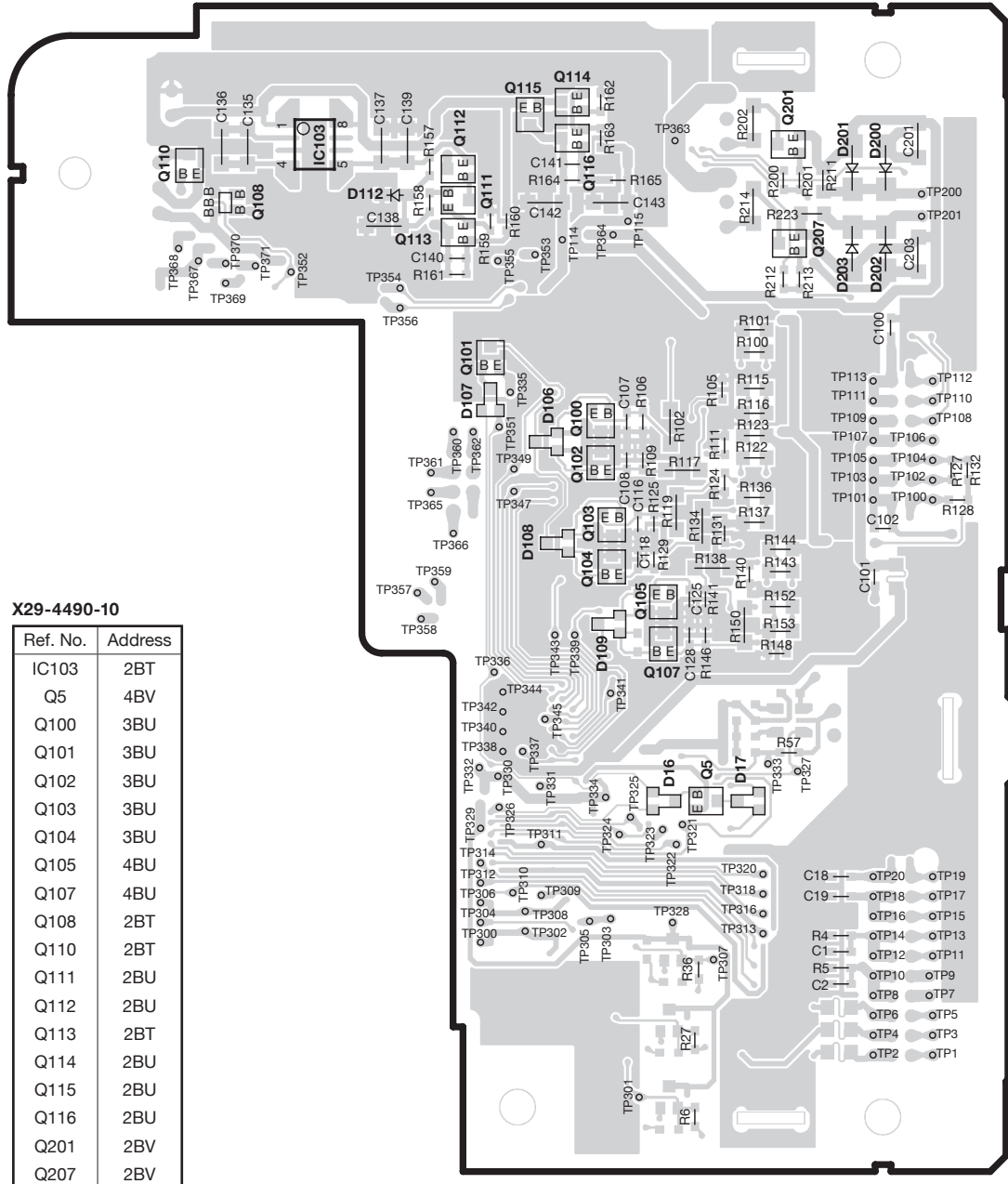
X29-4490-10

Ref. No.	Address
IC100	3BO
IC101	3BO
IC102	4BO
Q4	4BO
Q6	4BO
Q106	4BP
Q109	2BR
Q200	2BO
Q202	2BP
Q203	2BO
Q204	2BO
Q205	2BO
Q206	2BO
Q208	2BP
Q209	2BO
Q210	2BO
Q211	2BO

Refer to the schematic diagram for the values of resistors and capacitors.

PC BOARD (FOIL SIDE VIEW)

CONTROL CIRCUIT UNIT X29-4490-10 (J76-0510-12)

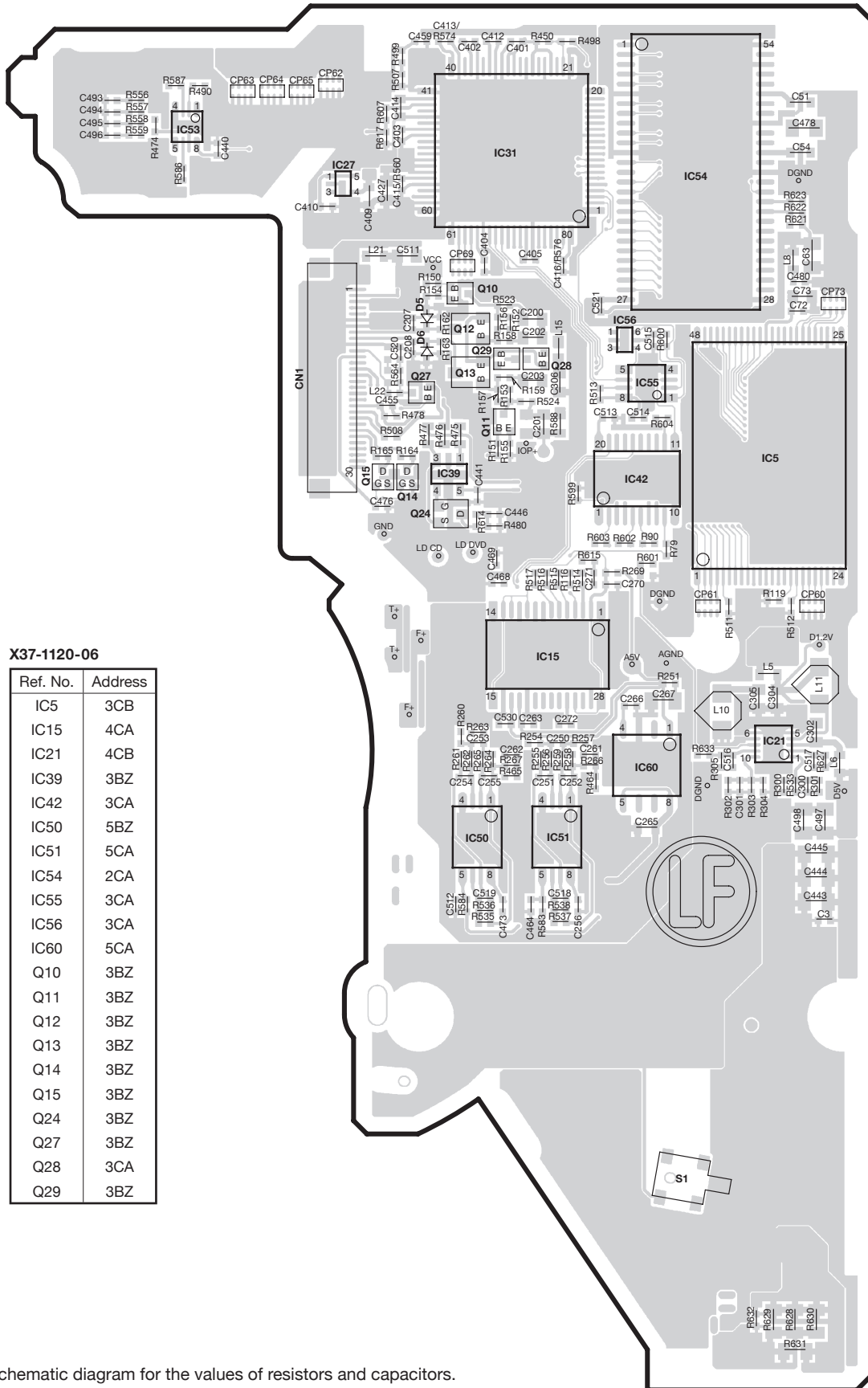


Refer to the schematic diagram for the values of resistors and capacitors.

DDX8022BT/8022BTY/8032BT/8032BTM/812
DNX8120/8220BT

PC BOARD (COMPONENT SIDE VIEW)

DVD UNIT X37-1120-06 (J76-0162-22)

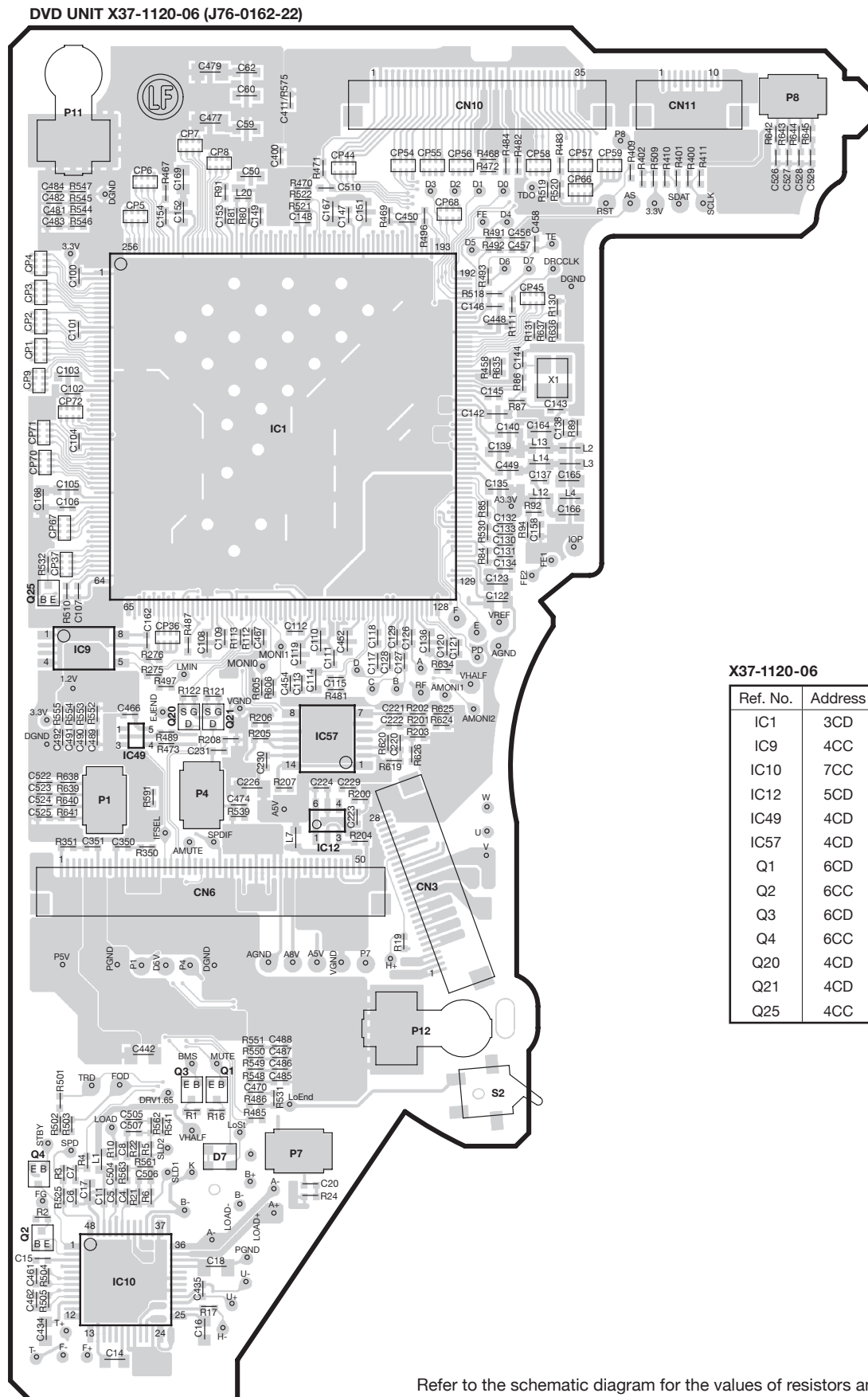


X37-1120-06

Ref. No.	Address
IC5	3CB
IC15	4CA
IC21	4CB
IC39	3BZ
IC42	3CA
IC50	5BZ
IC51	5CA
IC54	2CA
IC55	3CA
IC56	3CA
IC60	5CA
Q10	3BZ
Q11	3BZ
Q12	3BZ
Q13	3BZ
Q14	3BZ
Q15	3BZ
Q24	3BZ
Q27	3BZ
Q28	3CA
Q29	3BZ

Refer to the schematic diagram for the values of resistors and capacitors.

PC BOARD (FOIL SIDE VIEW)

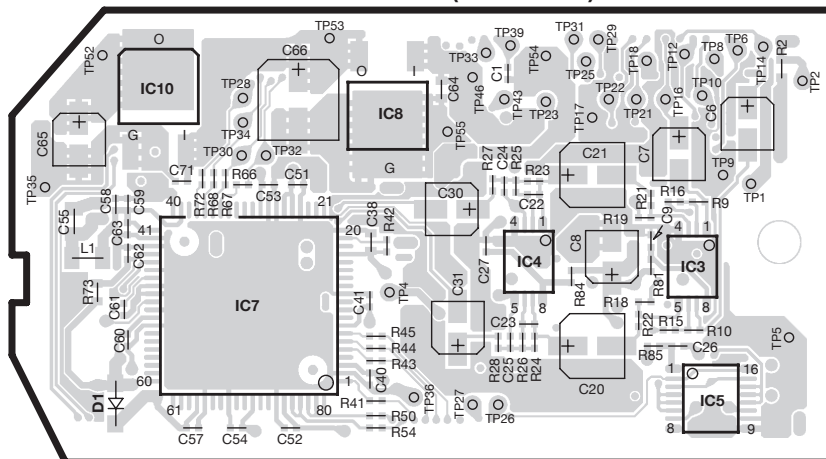


Refer to the schematic diagram for the values of resistors and capacitors.

DDX8022BT/8022BTY/8032BT/8032BTM/812
DNX8120/8220BT

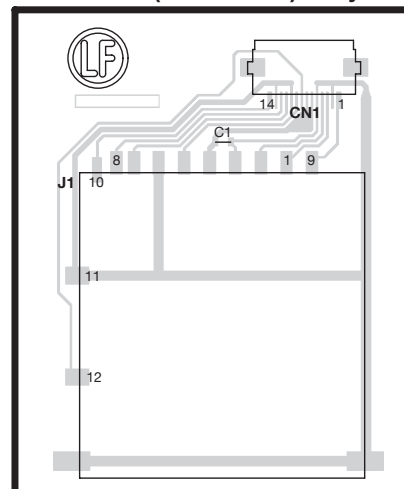
PC BOARD (COMPONENT SIDE VIEW)

PROCESSOR UNIT X17-2030-10 (J76-0518-12)



SUB-CIRCUIT UNIT

X16-6360-10 (J76-0515-12) only DNX

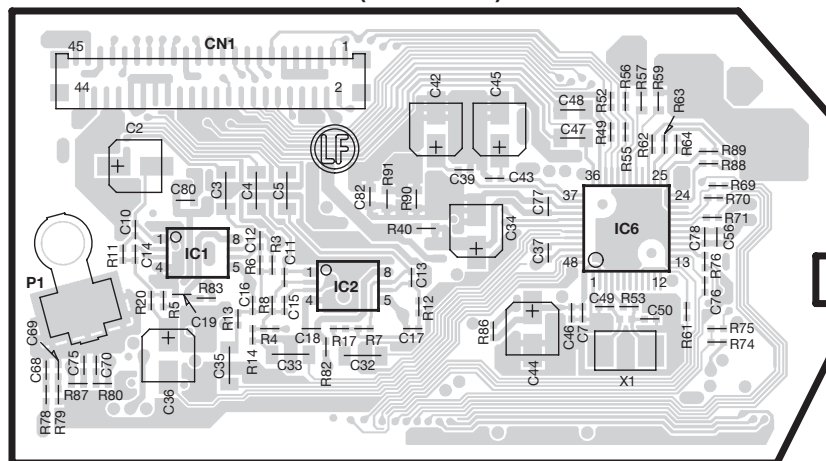


X17-2030-10

Ref. No.	Address
IC3	2CJ
IC4	2CJ
IC5	3CJ
IC7	2CI
IC8	2CI
IC10	2CH

PC BOARD (FOIL SIDE VIEW)

PROCESSOR UNIT X17-2030-10 (J76-0518-12)

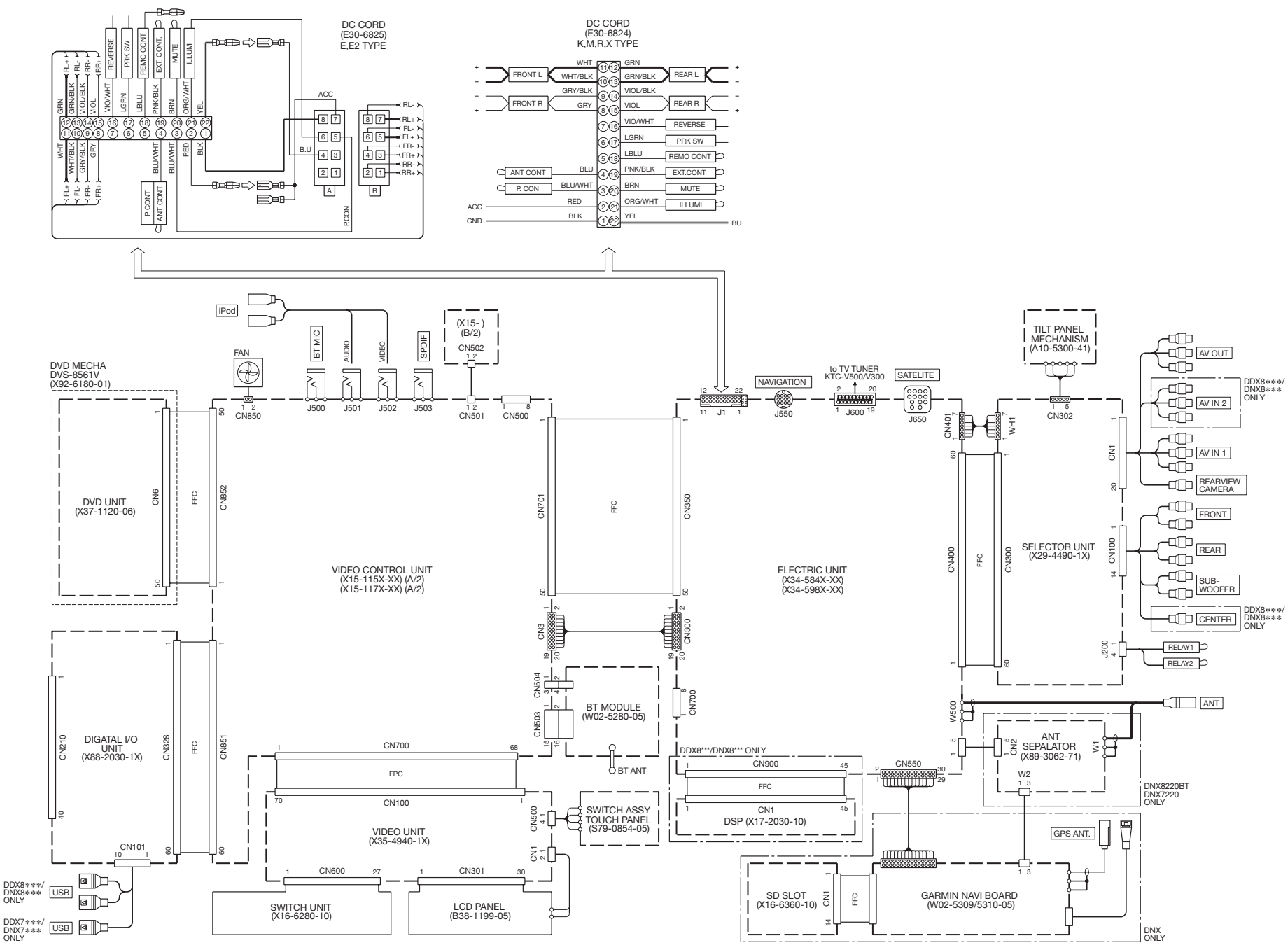


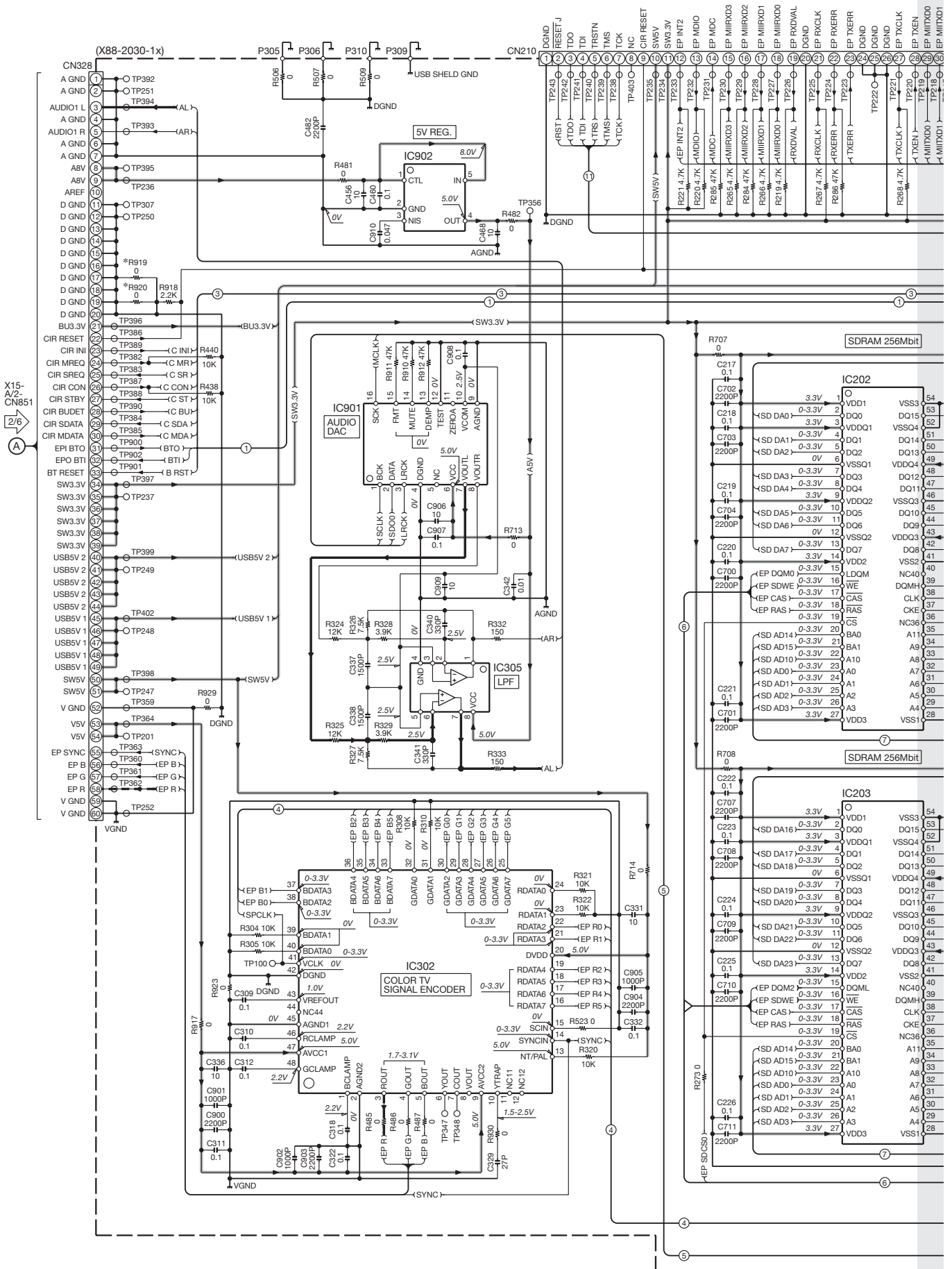
X17-2030-10

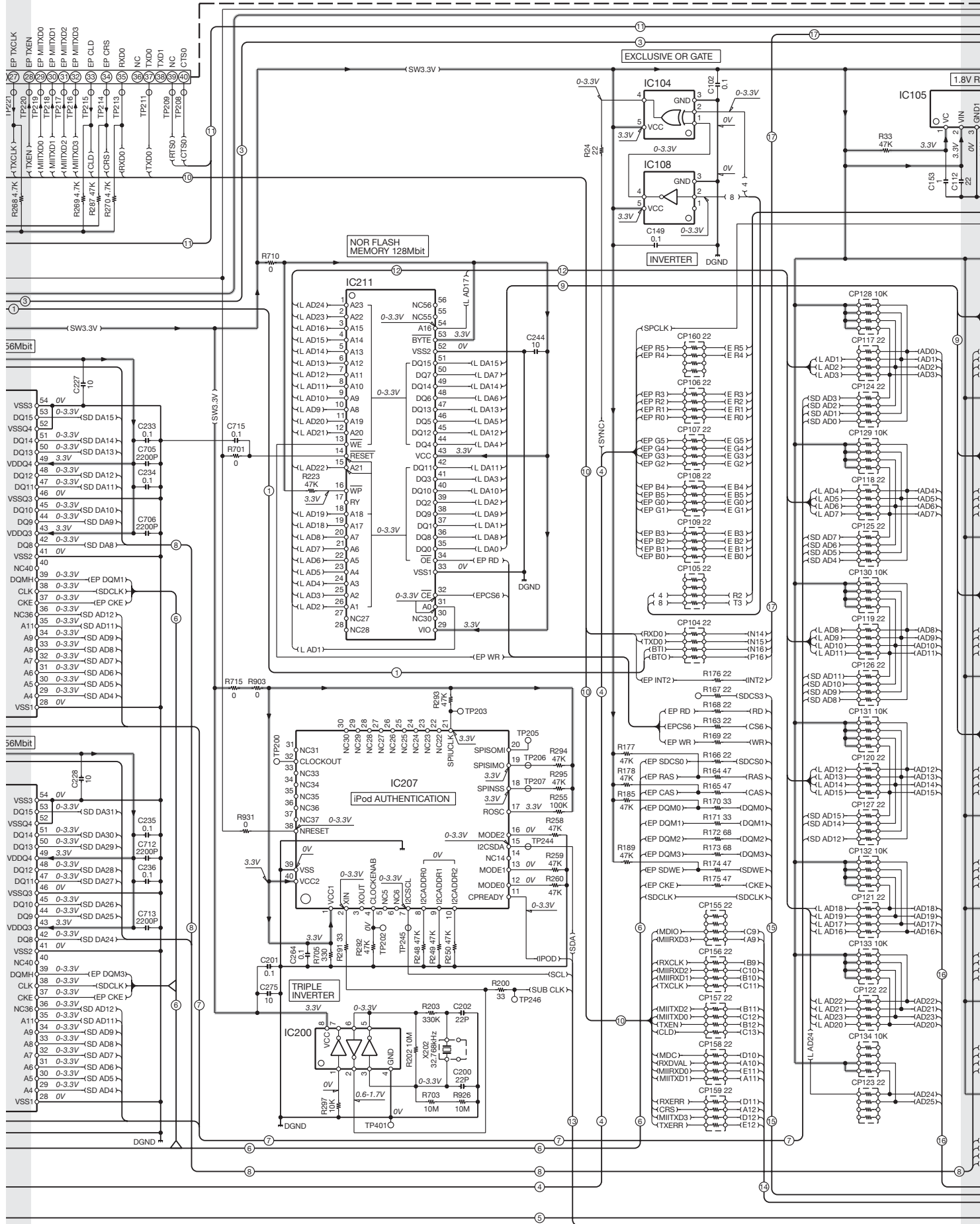
Ref. No.	Address
IC1	5CI
IC2	6CI
IC6	5CJ

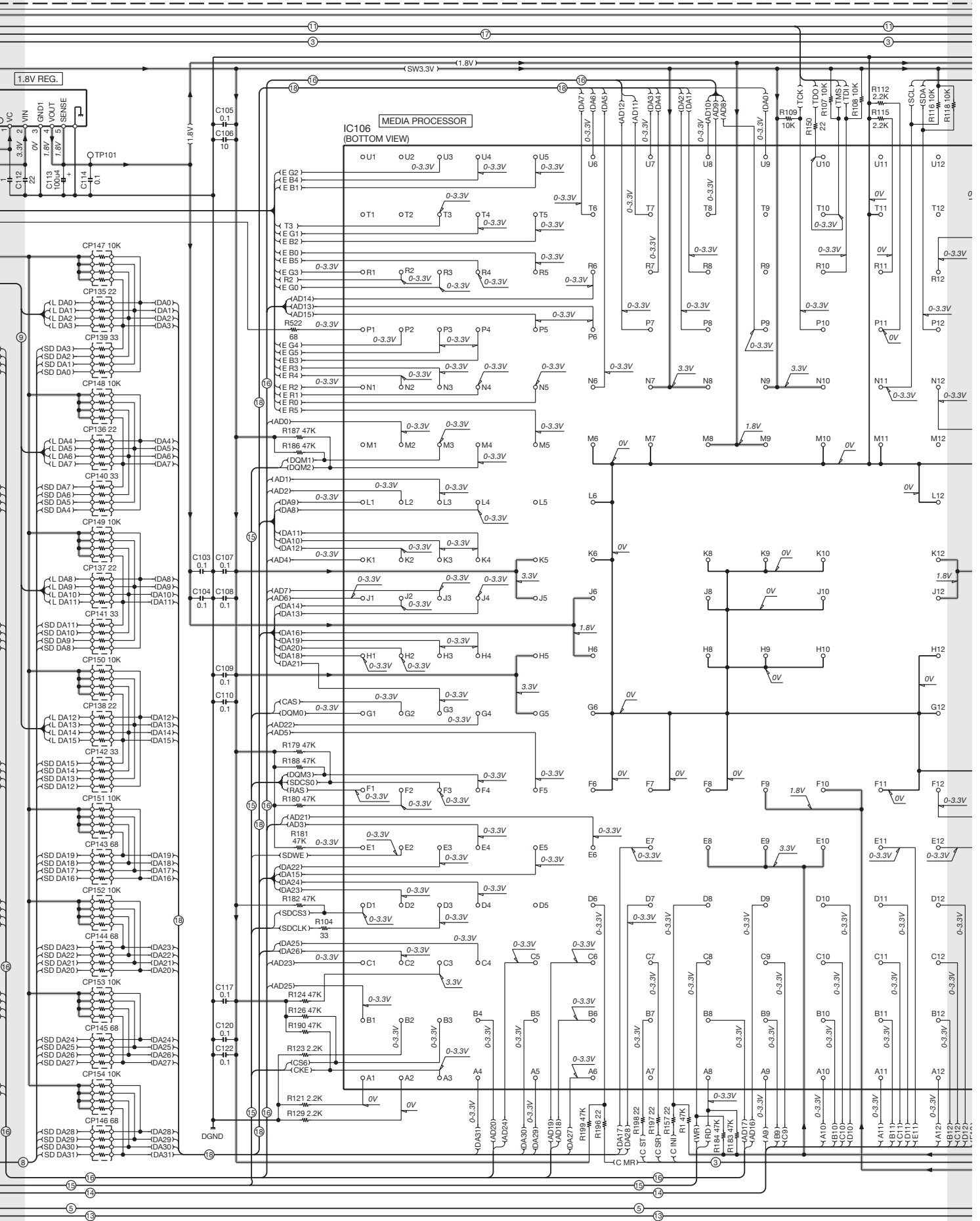
Refer to the schematic diagram for the values of resistors and capacitors.

DDX8022BT/8022BTY/8032BT/8032BTM/812
DNX8120/8220BT
INTERCONNECTION DIAGRAM

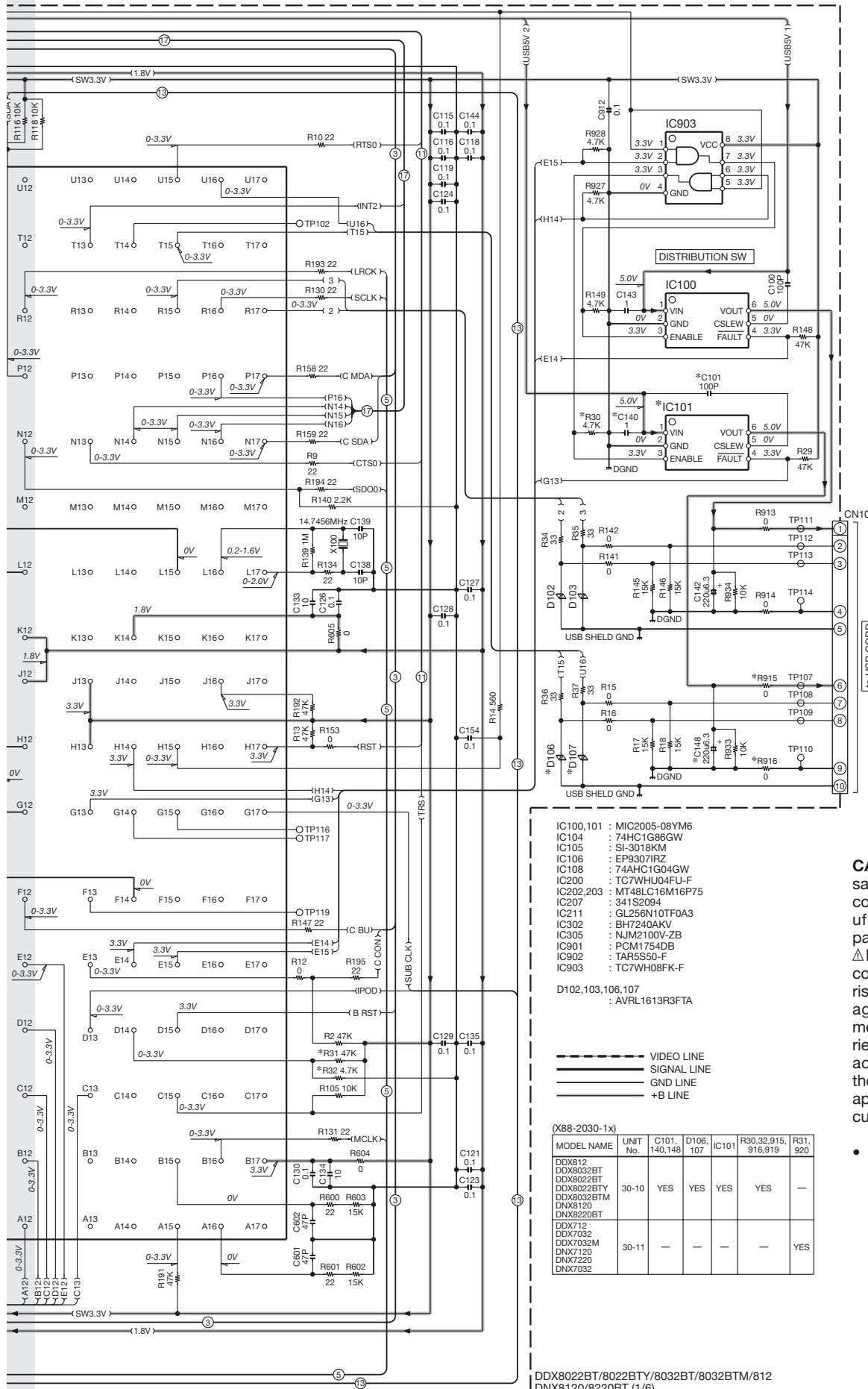






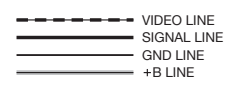


DDX8022BT/8022BTY/8032BT/8032BTM/812 DNX8120/8220BT



- IC100,101 : MIC2005-08YM6
- IC104 : 74HC1G86GW
- IC105 : SI-3019KM
- IC106 : EP9307IRZ
- IC108 : 74AHC1G04GW
- IC200 : TC7WHU04FU-F
- IC202,203 : MT48LC16M16P75
- IC207 : 341S2094
- IC211 : GL256N10TF0A3
- IC302 : BH7240AKV
- IC305 : NJM2100V-ZB
- IC901 : PCM1754DB
- IC902 : TAR5S0-F
- IC903 : TC7WH08FK-F

- D102,103,106,107 : AVRL1613R3FTA

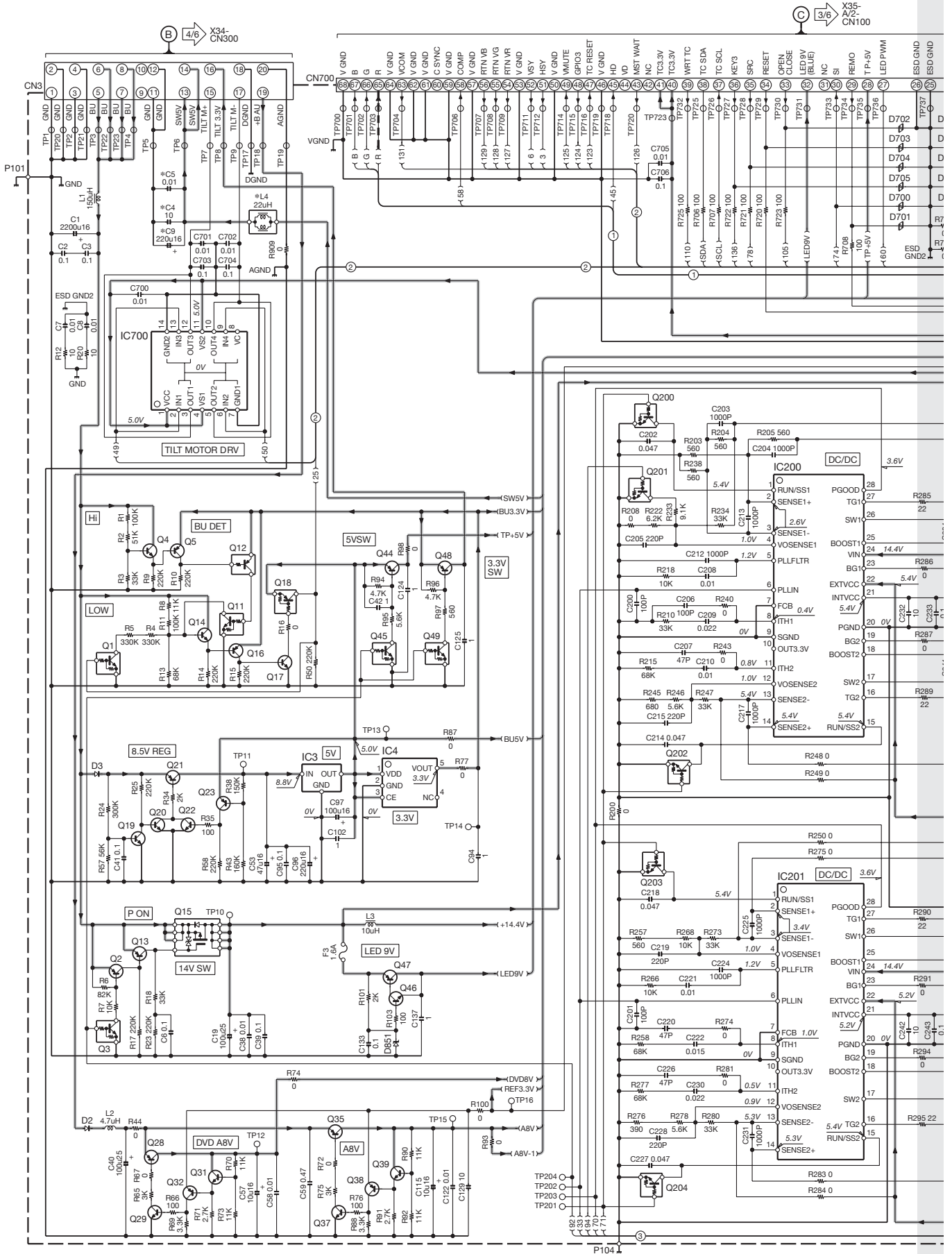


(X88-2030-1x)

MODEL NAME	UNIT No.	C101, 140, 148	D106, 107	IC101	R30,32,915, 916,919	R31, 920
DDX812						
DDX8032BT						
DDX8022BT	30-10	YES	YES	YES	YES	—
DDX8022BTY						
DDX8032BTM						
DDX8120						
DDX8220BT						
DDX712						
DDX7032						
DDX7032M	30-11	—	—	—	—	YES
DNX7120						
DNX7220						
DNX7032						

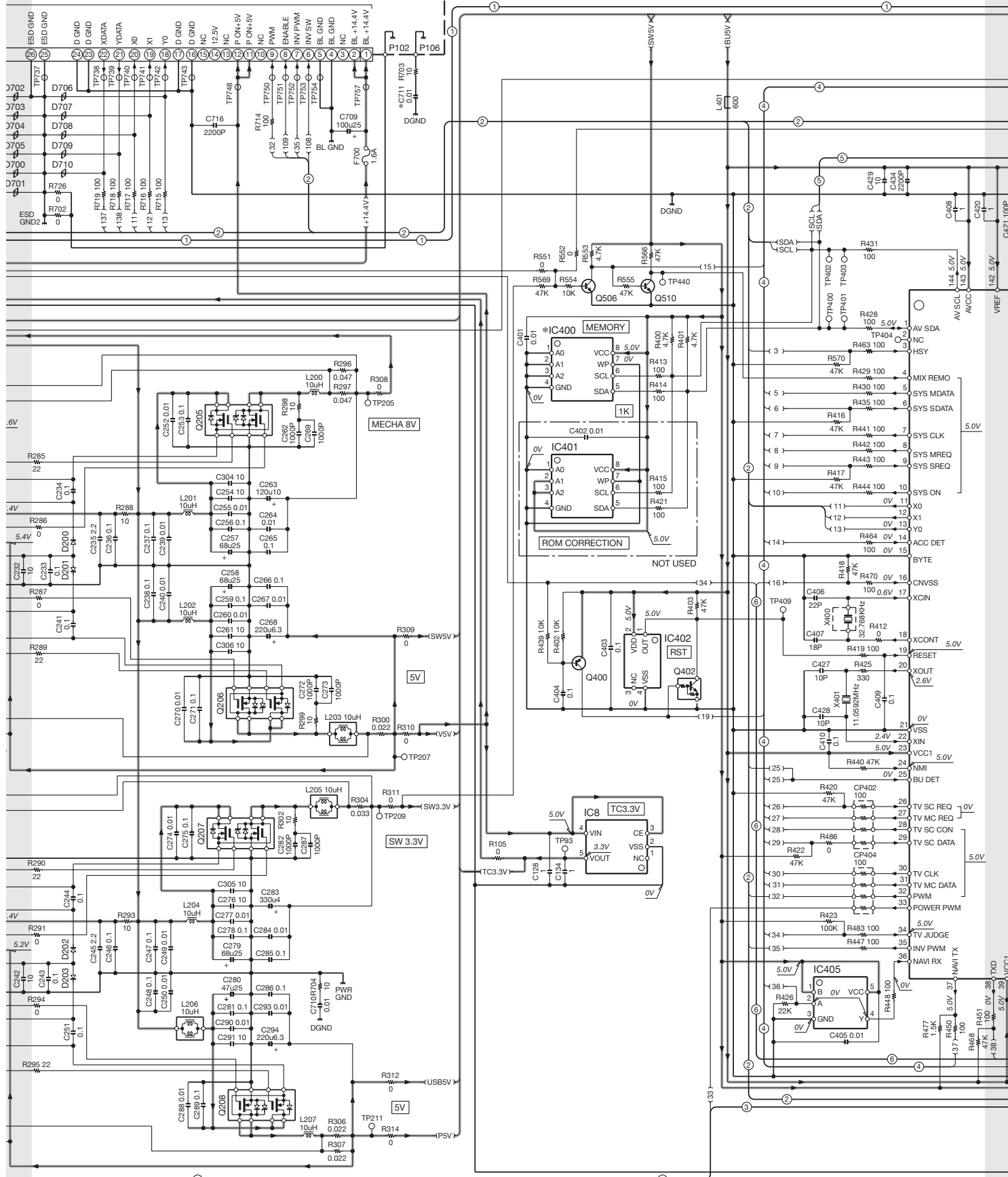
CAUTION : For continued safety, replace safety critical components only with manufacturer's recommended parts (refer to parts list). Δ Indicates safety critical components. To reduce the risk of electric shock, leakage-current or resistance measurements shall be carried out (exposed parts are acceptably insulated from the supply circuit) before the appliance is returned to the customer.

- DC voltages are as measured with a high impedance voltmeter. Values may vary slightly due to variations between individual instruments or/and units.

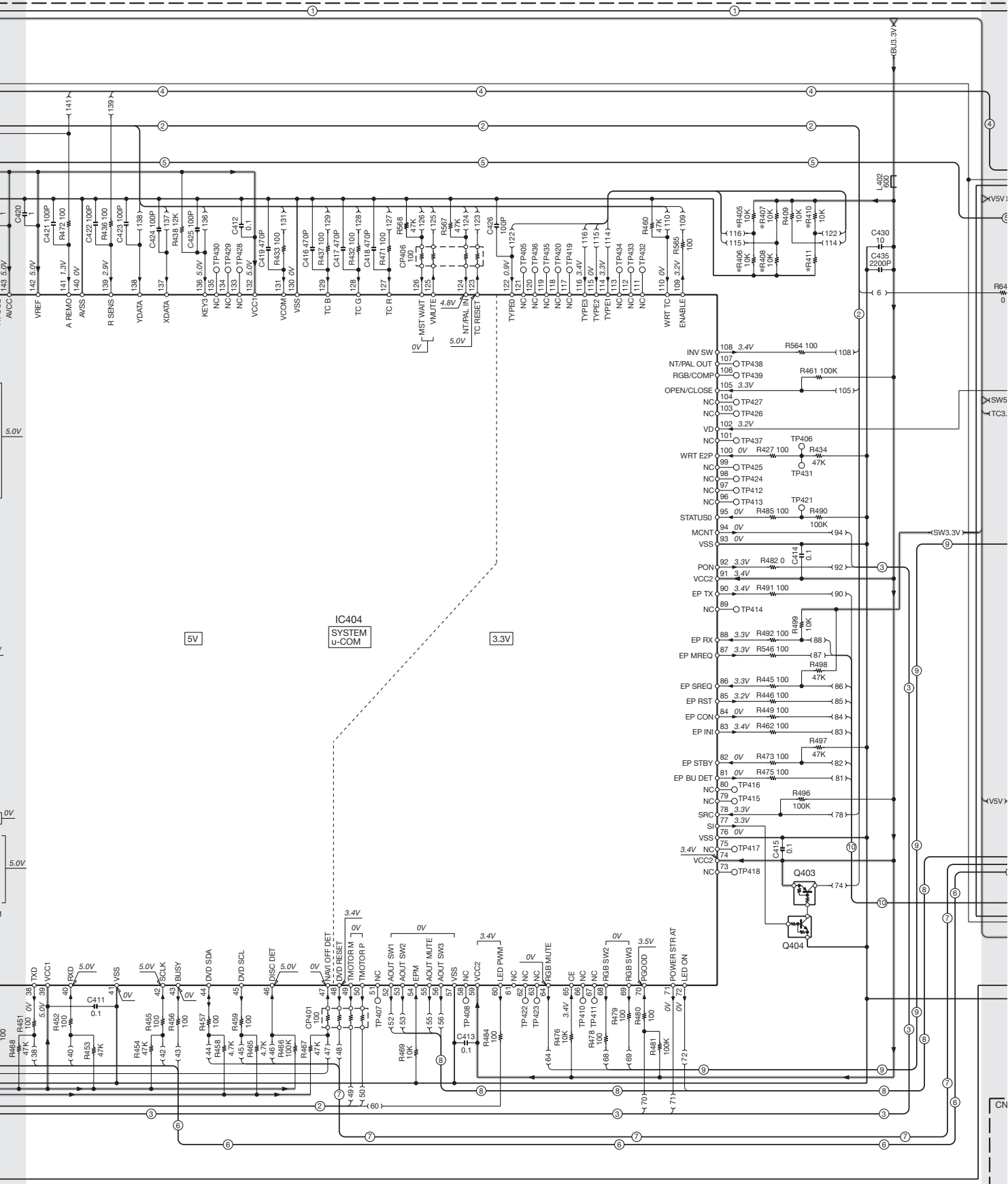


DDX8022BT/8022BTY/8032BT/8032BTM/812
DNX8120/8220BT

(X15-115/117x-xx) (A/2)



DDX8022BT/8022BTY/8032BT/8032BTM/812
DNX8120/8220BT

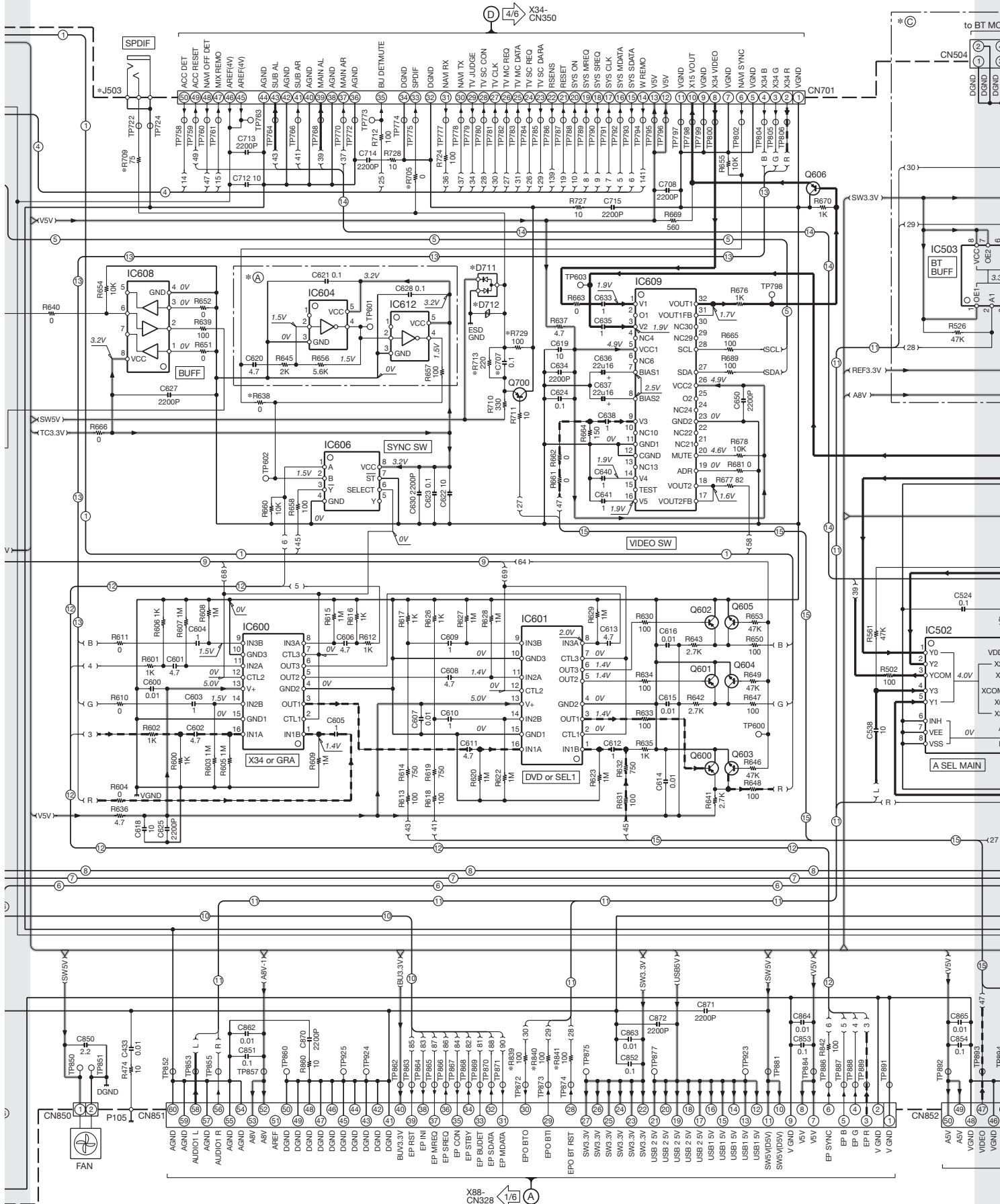


5V

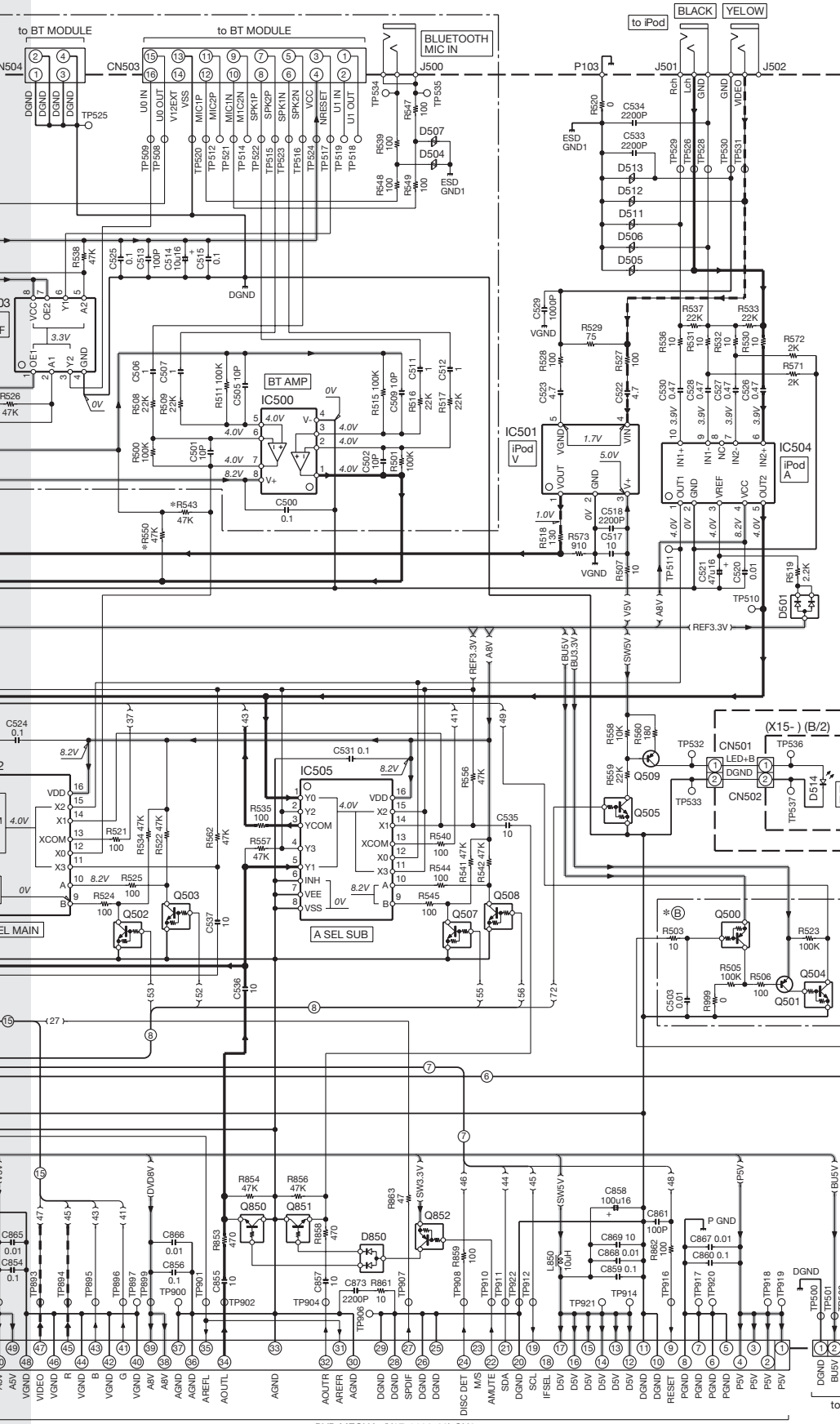
IC404
SYSTEM
u-COM

3.3V

DDX8022BT/8022BTY/8032BT/8032BTM/812
DNX8120/8220BT



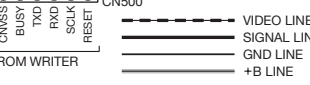
CAUTION : For continued safety, replace safety critical components only with manufacturer's recommended parts (refer to parts list).
 ▲Indicates safety critical components. To reduce the risk of electric shock, leakage-current or resistance measurements shall be carried out (exposed parts are acceptably insulated from the supply circuit) before the appliance is returned to the customer.



MODEL NAME	UNIT No.	IC45.9	C707	D711, 712	IC400	J503	L4	R405-705,713, 720-808-941	R406-543, 550,709	R407	R408	R410	R411	R638
DDX812	K	50-10	YES	YES	YES	YES	YES	YES	YES	YES	YES	YES	YES	YES
DDX8120	L1	50-21	YES	YES	YES	YES	YES	YES	YES	YES	YES	YES	YES	YES
DDX822BT	E1	52-21	YES	YES	YES	YES	YES	YES	YES	YES	YES	YES	YES	YES
DDX8022BT	E2	52-71	YES	YES	YES	YES	YES	YES	YES	YES	YES	YES	YES	YES
DDX8220BT	M1	52-72	YES	YES	YES	YES	YES	YES	YES	YES	YES	YES	YES	YES
DDX8022BT	M3	50-21	YES	YES	YES	YES	YES	YES	YES	YES	YES	YES	YES	YES
DDX8032BTM	X1	55-71	YES	YES	YES	YES	YES	YES	YES	YES	YES	YES	YES	YES
DDX712	K1	70-10	YES	YES	YES	YES	YES	YES	YES	YES	YES	YES	YES	YES
DDX702	B2	72-21	YES	YES	YES	YES	YES	YES	YES	YES	YES	YES	YES	YES
DDX720	M2	70-21	YES	YES	YES	YES	YES	YES	YES	YES	YES	YES	YES	YES
DDX7032	M4	70-21	YES	YES	YES	YES	YES	YES	YES	YES	YES	YES	YES	YES
DDX7032M	X2	70-71	YES	YES	YES	YES	YES	YES	YES	YES	YES	YES	YES	YES
DDX730	M5	70-22	YES	YES	YES	YES	YES	YES	YES	YES	YES	YES	YES	YES
DDX730	X3	70-72	YES	YES	YES	YES	YES	YES	YES	YES	YES	YES	YES	YES

- IC3 : SI-3050LUS
- IC4 : R1114N331B-TR
- IC8 : XC6219B332PR
- IC200,201 : LTC372BLEGN
- IC400 : *
- IC401 : NOT USED
- IC402 : S-90833CENN-B
- IC404 : 3087BMJBA24GP
- IC405 : 74AHCT1608GW
- IC500 : NJM4565V-ZB
- IC501 : NJM2505AF-ZB
- IC502,505 : TC4052BFT
- IC503 : 74AHC2G126DP
- IC504 : NJM2794R2ZBP
- IC600,601 : NJM239V-ZB
- IC604,612 : 74AHC1GU04GW
- IC606 : TC7WH157FU-F
- IC608 : 74LVC3G34DP
- IC609 : AN15885A-VF
- IC700 : LB1836M-TLM-E

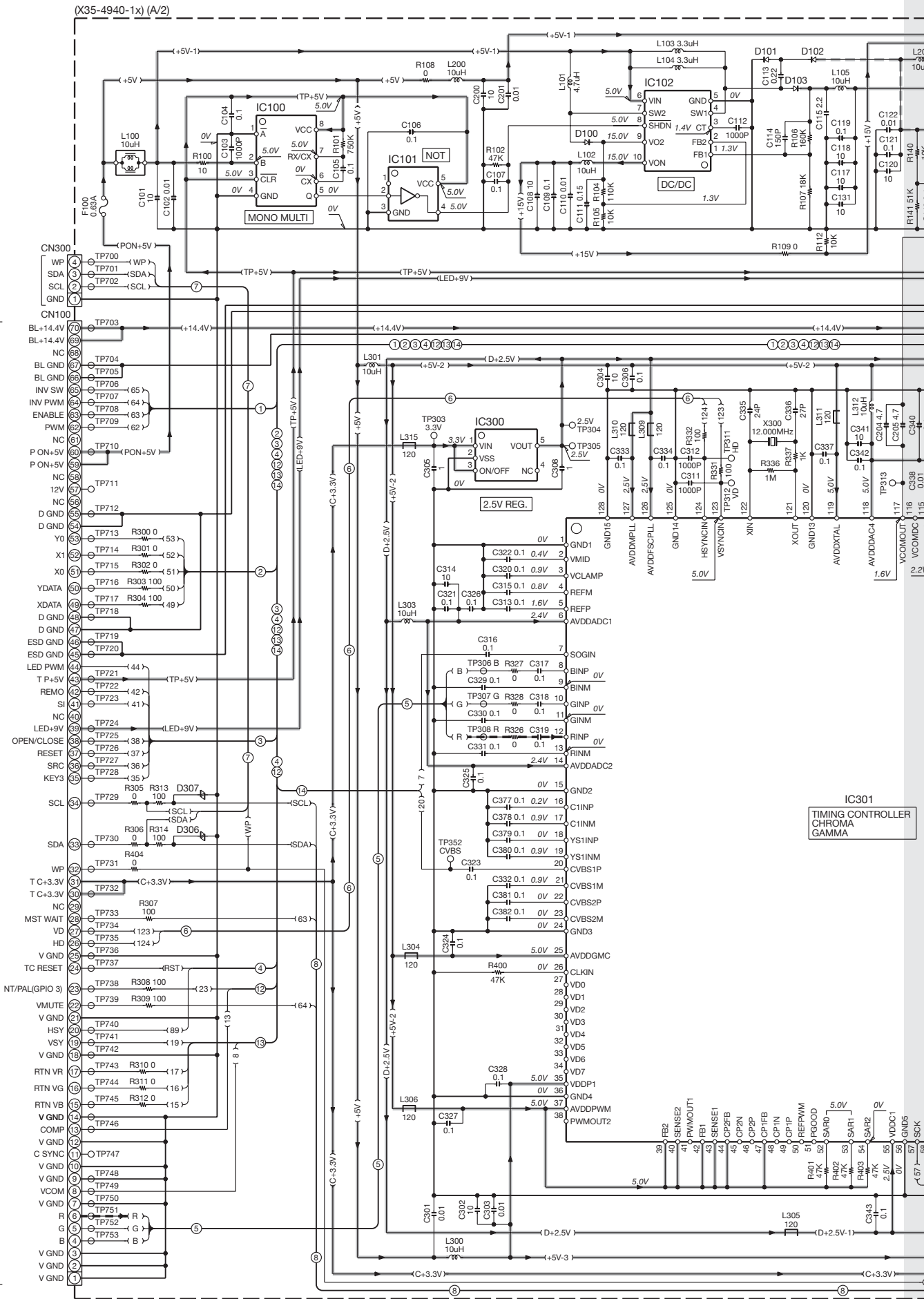
- Q1,200,202-204,402 : DTC144EUA
- Q2,5,13,16,32,38,400, 501,509,600-602,606,700 : 2SA1576A
- Q3,11,45,49,201,404, 502-505,507,508 : DTC114YUA
- Q4,14,17,29,31,37,39, 46,506,510,603-605 : 2SC4081
- Q12 : DTA114TUA
- Q15 : TPC8110-F
- Q18 : DTA114EUA
- Q19,20,22 : 2SC4617
- Q21,28,35,47 : 2SB1184
- Q23 : 2SA1774
- Q44,48 : 2SB1689
- Q205-208 : HAT218R-E
- Q403,500,852 : DTA114YUA
- Q850,851 : DTC643TU
- D2 : 1SR154-400
- D3 : EP05Q04
- D200-203 : 1SS357-F
- D501,850 : DAP202U
- D504,507,700,701 : AVRM16180M6AB
- D505,506,511,702-710 : AVRM16120M6AB
- D512,513,712 : AVRM16270MAAB
- D514 : B30-1767-05
- D711 : DA204U
- D851 : 02D29.1F-Z

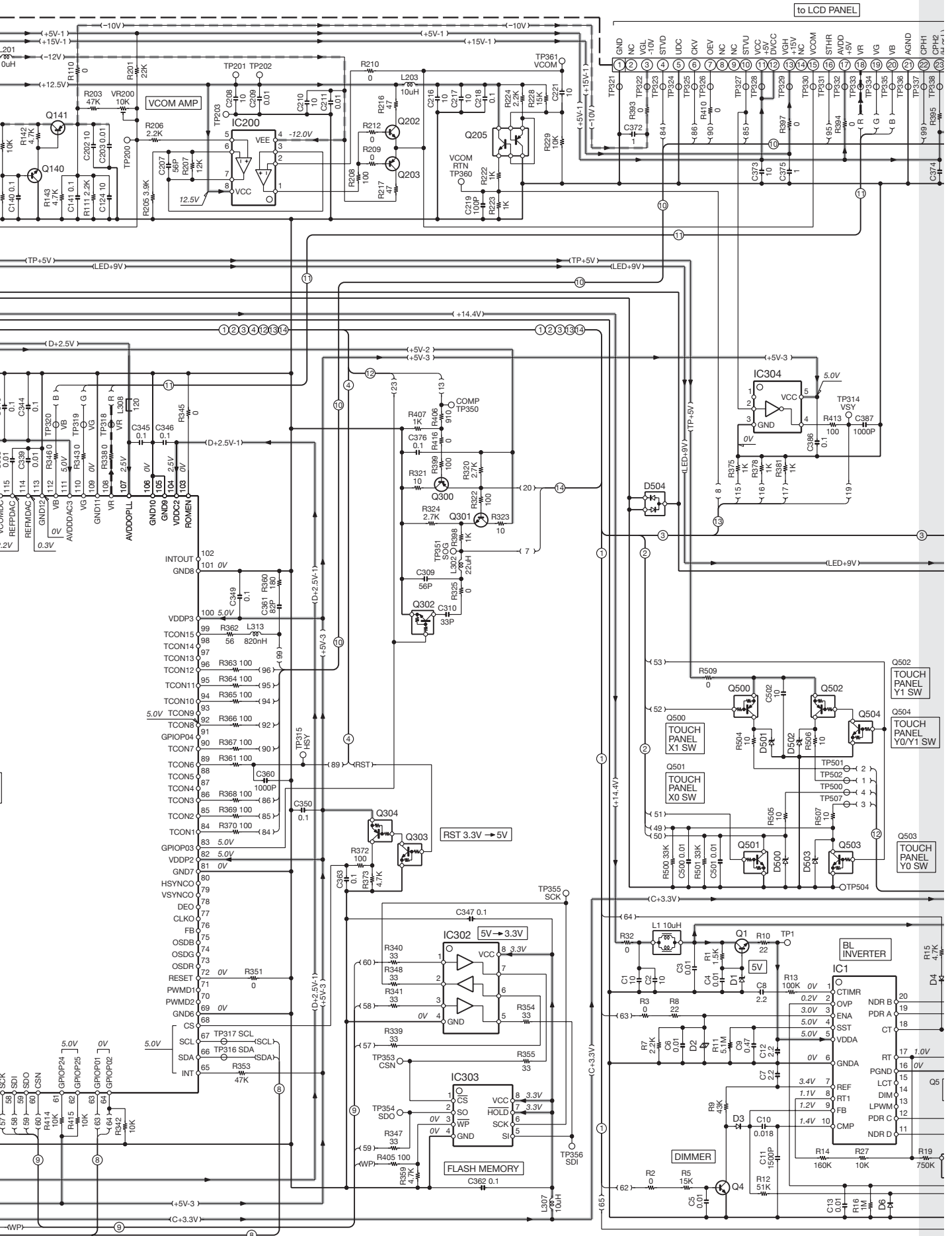


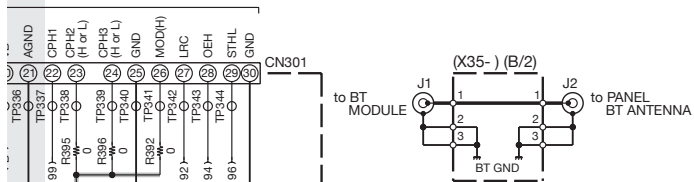
DDX8022BT/8022BTY/8032BT/8032BTM/812, DNX8120/8220BT (2/6)

• DC voltages are as measured with a high impedance voltmeter. Values may vary slightly due to variations between individual instruments or/and units.

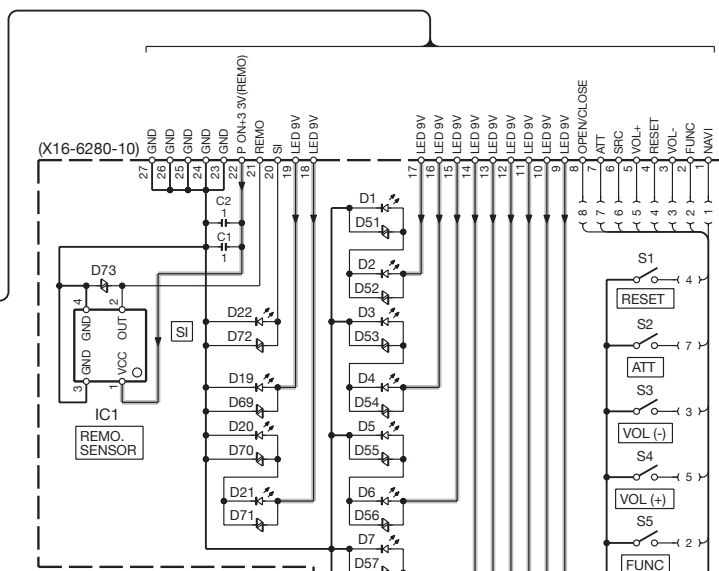
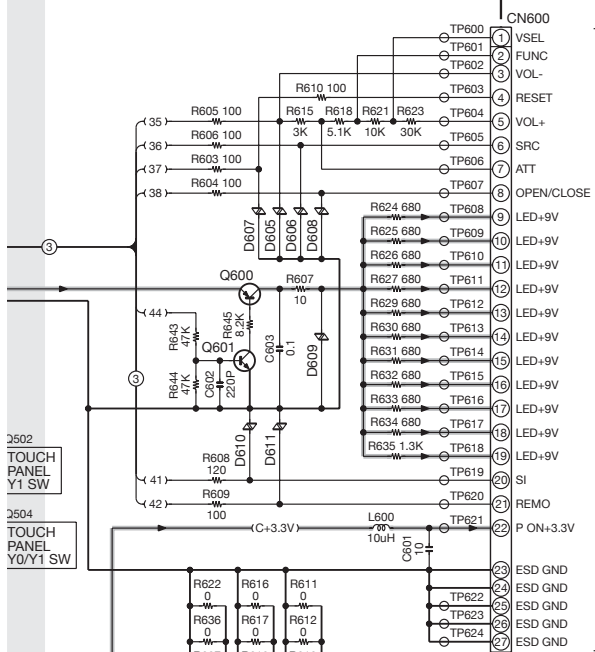
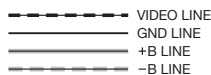
1
2
3
4
5
6
7







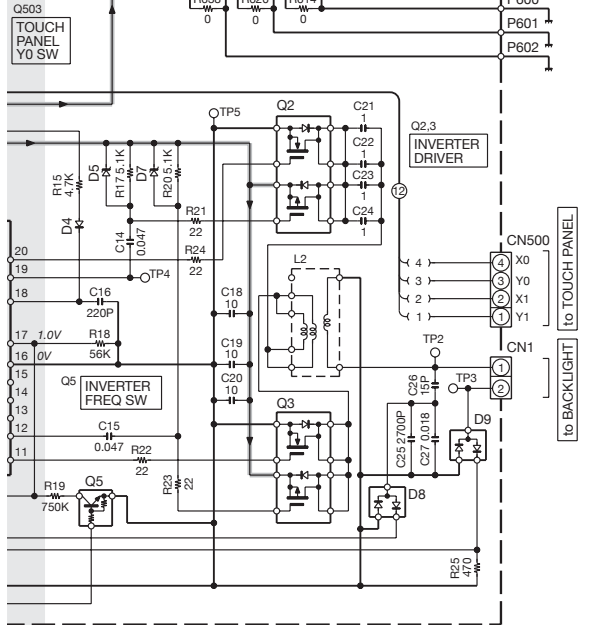
- | | | |
|-------------------------|------------------------------|------------------------------------|
| IC1 : OZ964ISN-C-SN | Q1,4,140,301,601 : 2SA1576A | D1,5,7 : UDZS5.6B |
| IC100 : TC7WH123FU-F | Q2,3 : 2SC4081 | D2,605-608,610,611 : AVRM16120M6AB |
| IC101,304 : 74AHC1G04GW | Q5,302,303,504 : SIS504DC-E3 | D3,4 : 1SS355 |
| IC102 : LT1947-PBF | Q6 : DTC114YUA | D6 : MA2S784-F |
| IC200 : TA75W558FU-F | Q141,300,600 : 2SA1576A | D8,9,504 : DA204UJ |
| IC300 : S-1112B25MCG | Q202 : 2SC4097 | D100 : EP05Q06 |
| IC301 : MST7988LA-ALF | Q203 : 2SA1577 | D101-103 : EP05Q04 |
| IC302 : 74LVC3G34DP | Q205 : UMZ1N | D306,307 : AVRM16270MAAB |
| IC303 : AT25F2048-6Z1 | Q304 : DTA123JUA | D500-503 : UDZS6.8B |
| | Q500,502 : DTA143ZUA | D609 : AVRM16180M6AB |
| | Q501,503 : DTC143ZUA | |

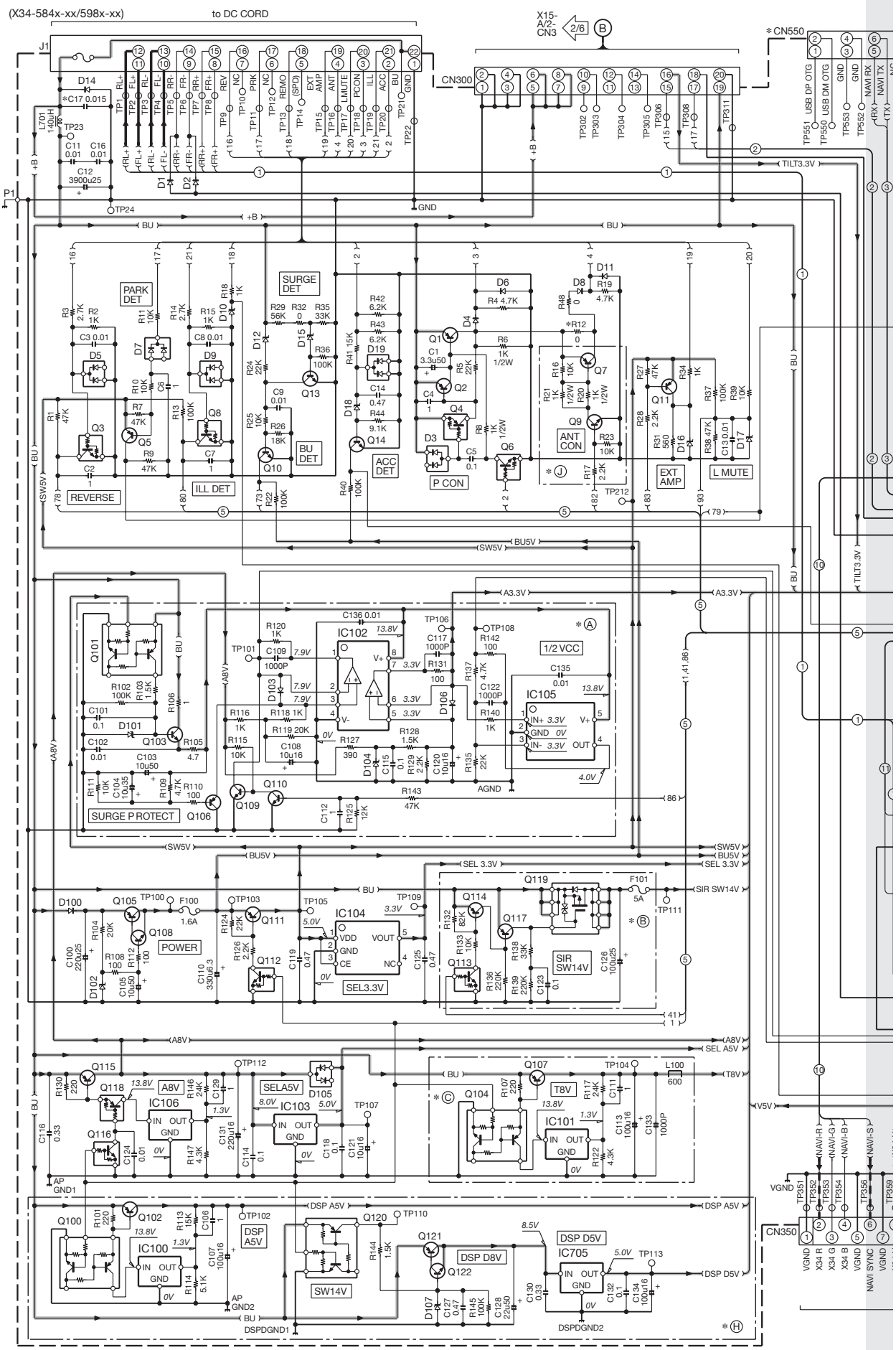


- | |
|------------------------|
| IC1 : GP1US301XP |
| D1-21 : B30-1795-05 |
| D22 : B30-1566-05 |
| D51-73 : AVRM16120M6AB |

CAUTION : For continued safety, replace safety critical components only with manufacturer's recommended parts (refer to parts list).
 △ Indicates safety critical components. To reduce the risk of electric shock, leakage-current or resistance measurements shall be carried out (exposed parts are acceptably insulated from the supply circuit) before the appliance is returned to the customer.

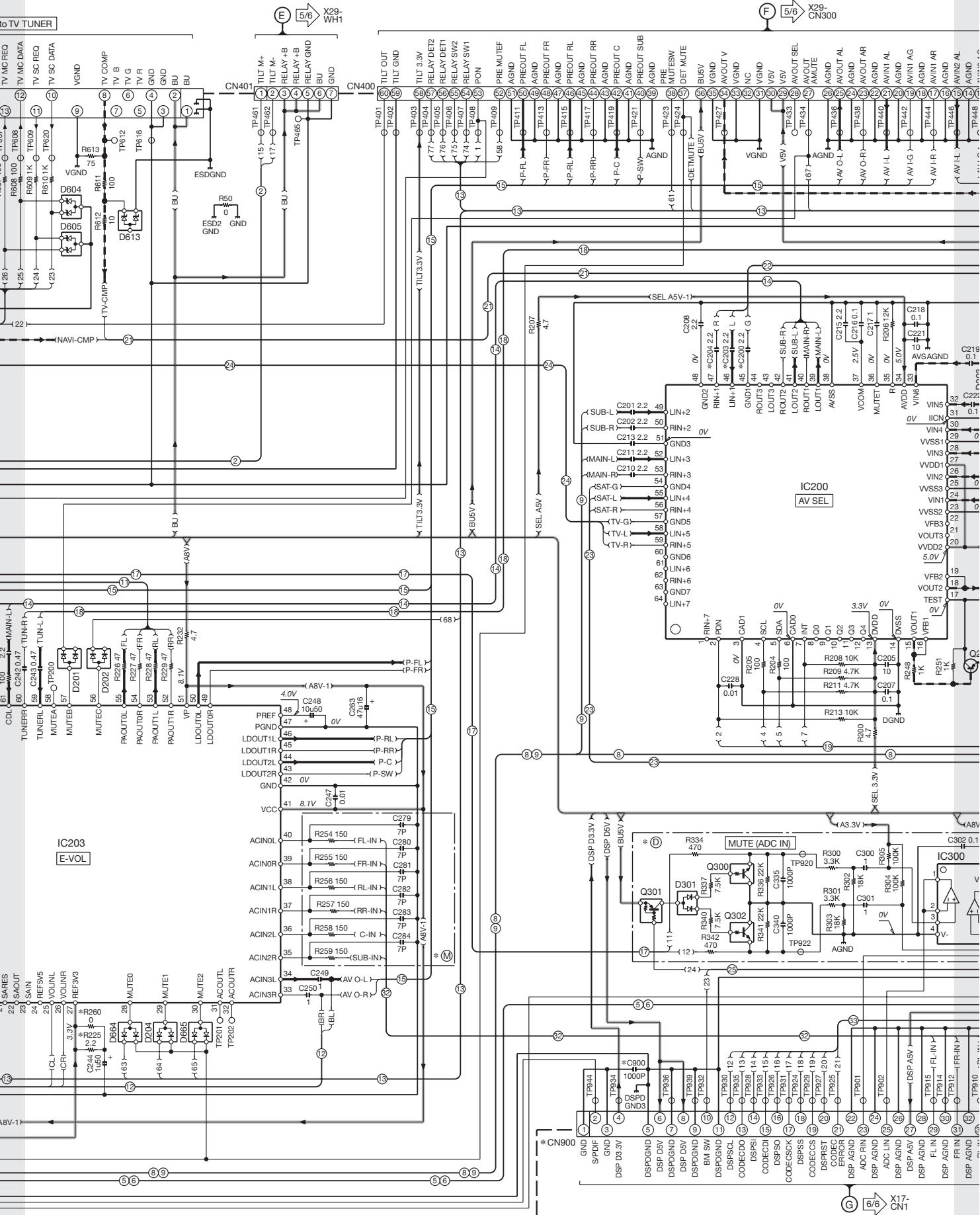
- DC voltages are as measured with a high impedance voltmeter. Values may vary slightly due to variations between individual instruments or/and units.



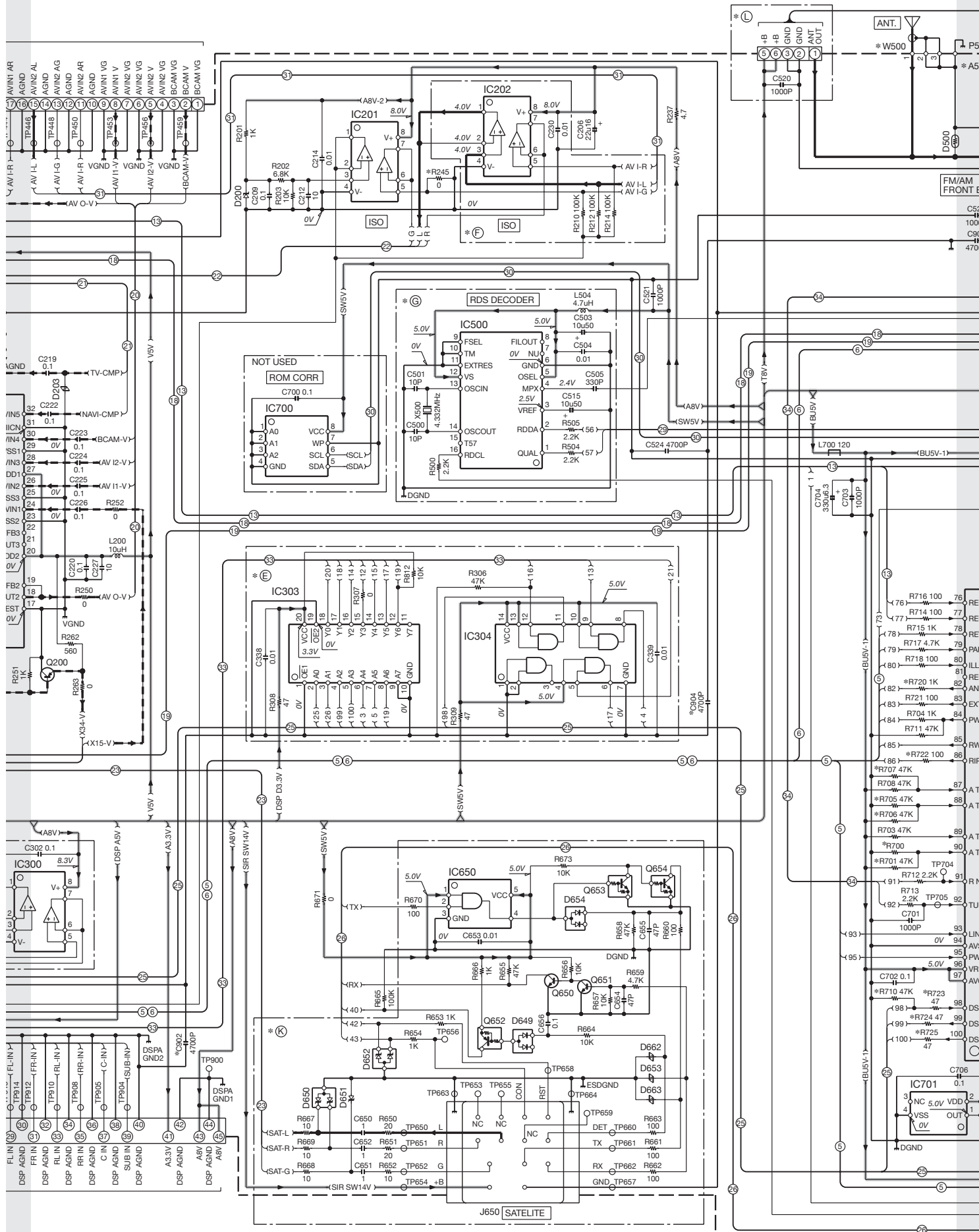


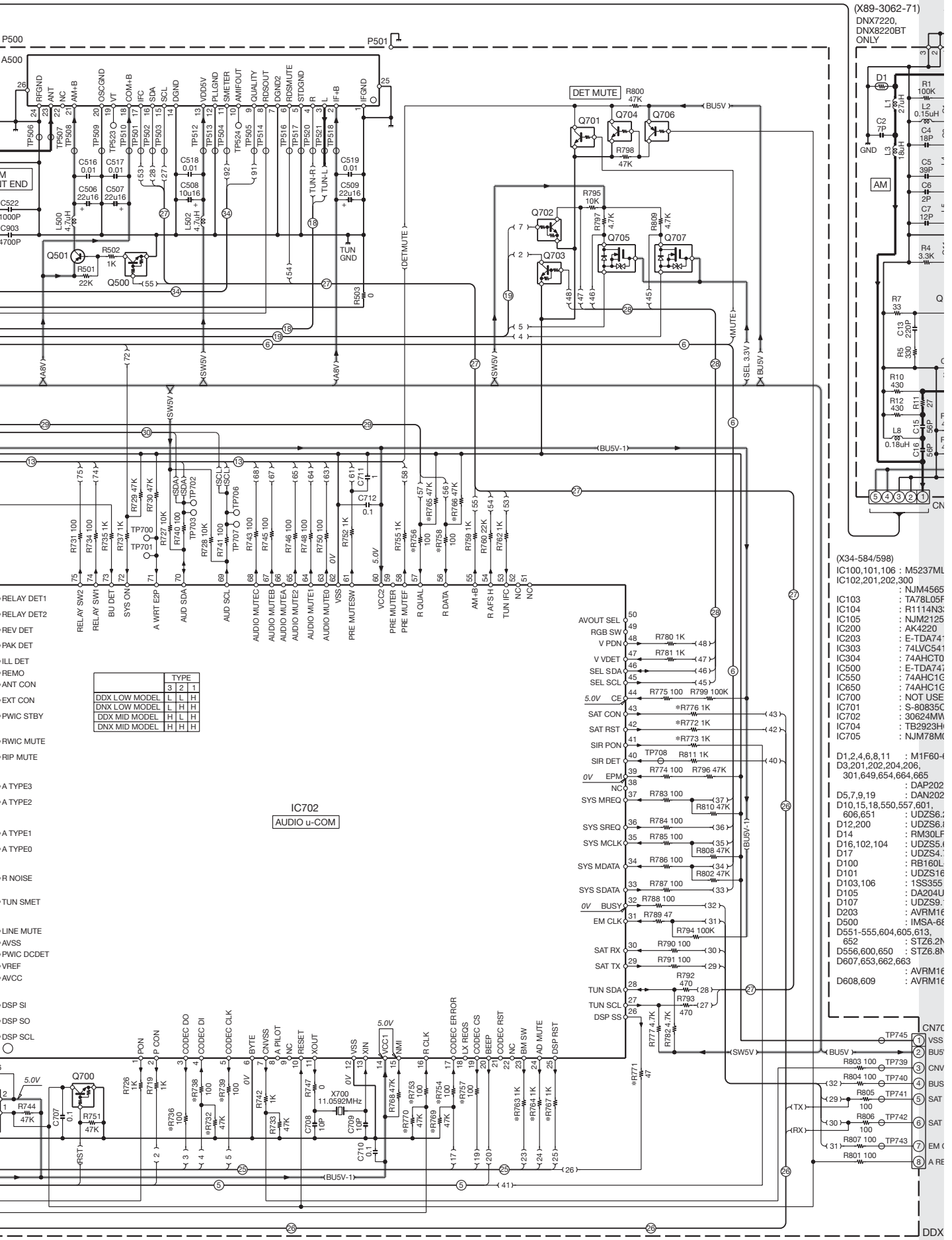
1
2
3
4
5
6
7

DDX8022BT/8022BTY/8032BT/8032BTM/812
DNX8120/8220BT

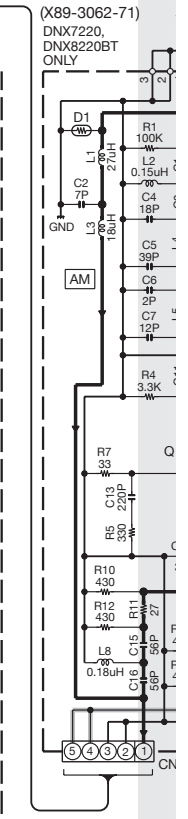


DDX8022BT/8022BTY/8032BT/8032BTM/812
DNX8120/8220BT



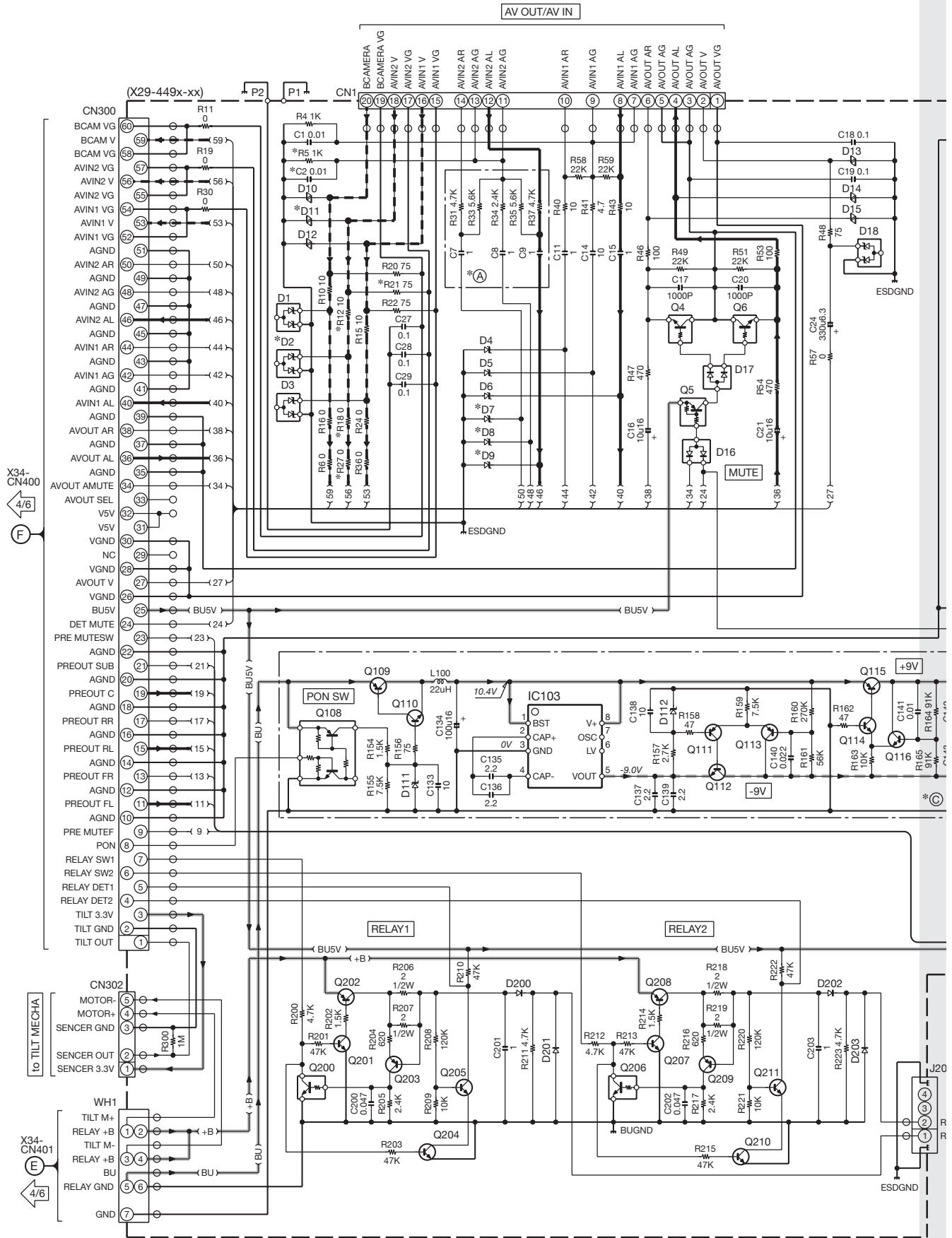


	TYPE	3	2	1
DDX LOW MODEL	L	L	H	H
DNX LOW MODEL	L	L	H	H
DDX MID MODEL	H	L	H	H
DNX MID MODEL	H	L	H	H

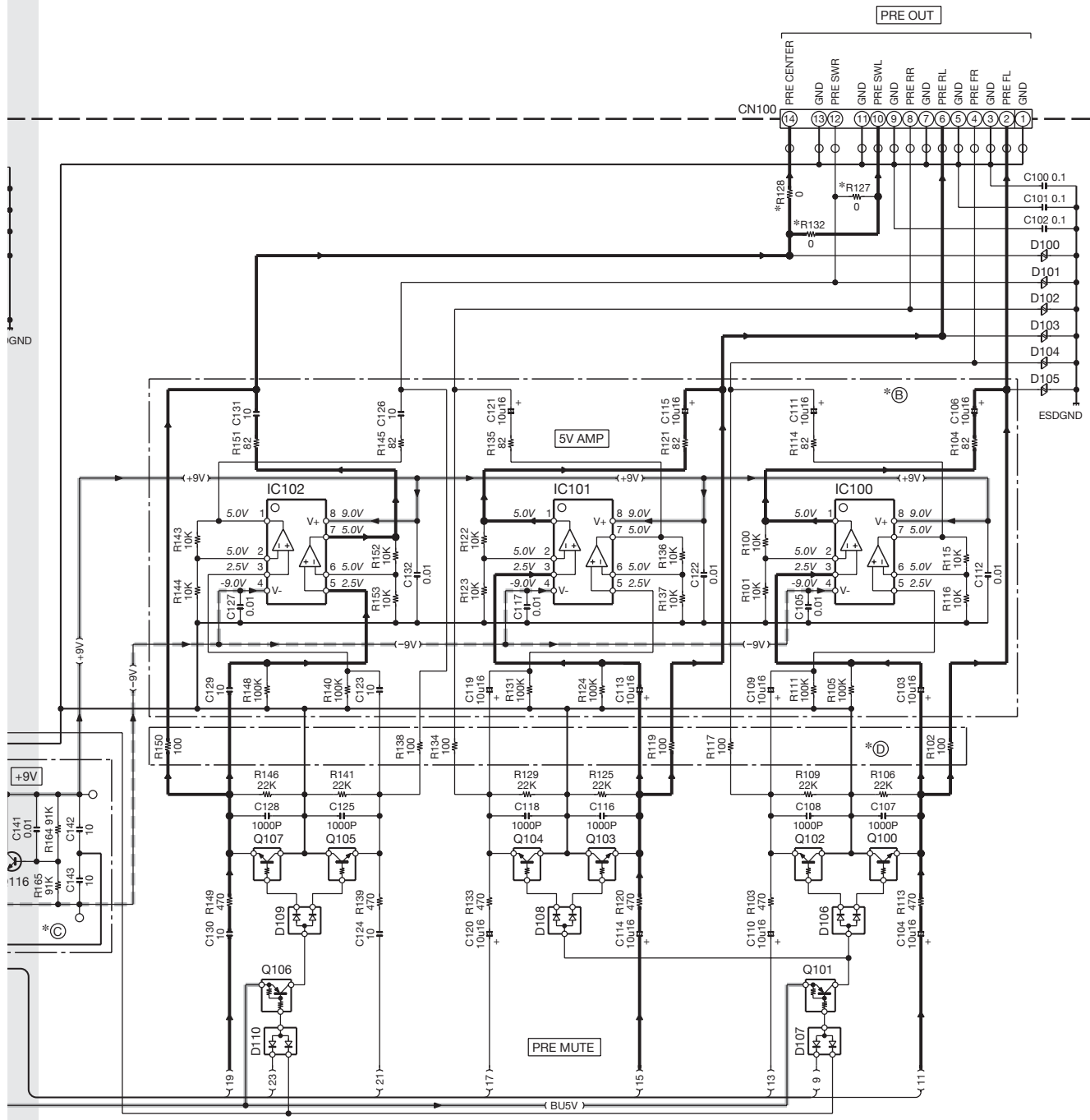


- (X34-584/598)
- IC100,101,106 : M5237ML
 - IC102,201,202,300
 - IC103 : NJM4565
 - IC104 : TA78L05F
 - IC105 : R1114N3F
 - IC200 : NJM2125
 - IC203 : AK4220
 - IC303 : E-TDA741
 - IC304 : 74VHC541
 - IC305 : 74AHC70
 - IC500 : E-TDA741
 - IC550 : 74AHC1C
 - IC650 : 74AHC1C
 - IC700 : NOT USE
 - IC701 : S-80835C
 - IC702 : 30624MM
 - IC704 : TB2923H
 - IC705 : NJM78M
- D1,2,4,6,8,11 : M1F60-4
D3,201,202,204,206
301,649,654,664,665
- D5,7,9,19 : DAN202
D10,15,18,550,557,601,
606,651 : UDZS6.1
D12,200 : UDZS6.1
D14 : RM30LF
D16,102,104 : UDZS4.1
D17 : UDZS4.1
D100 : RB160L
D101 : UDZS16
D105 : 1S3355
D103,106 : DA204U
D107 : UDZS9
D203 : AVR1M1E
D500 : IMSA-6E
D551-555,604,605,613,
652 : STZ6.2N
D556,600,650 : STZ6.8N
D607,653,662,663 : AVR1M1E
D608,609 : AVR1M1E

DDX8022BT/8022BTY/8032BT/8032BTM/812
DNX8120/8220BT



DDX8022BT/8022BTY/8032BT/8032BTM/812
DNX8120/8220BT



DDX8022BT/8022BTY/8032BT/8032BTM/812, DNX8120/8220BT (5/6)

- IC100-102 : NJM4565V-ZB
- IC103 : ICL7660SIBAZ
- Q4,6,100,102-105,107 : DTC643TU
- Q5,101,106 : DTA144EUA
- Q108 : UMC2N
- Q109,202,208 : 2SB1443
- Q110,112,114,116,201,204,205,207,210,211 : 2SC4081
- Q111,113,115,203,209 : 2SA1576A
- Q200,206 : DTC114TUA

- D1-3,18 : STZ6.2N
- D4,6 : UDZS8.2B
- D5,8 : UDZS6.2B
- D7,9 : UDZS6.8B
- D10-13 : AVR16270MAAB
- D14,15,100-105 : AVR16180M6AB
- D16,17,106-110 : DAP202U
- D111 : UDZS11B
- D112 : UDZS5.6B
- D200-203 : 1SR154-400



(X29-449x-xx)

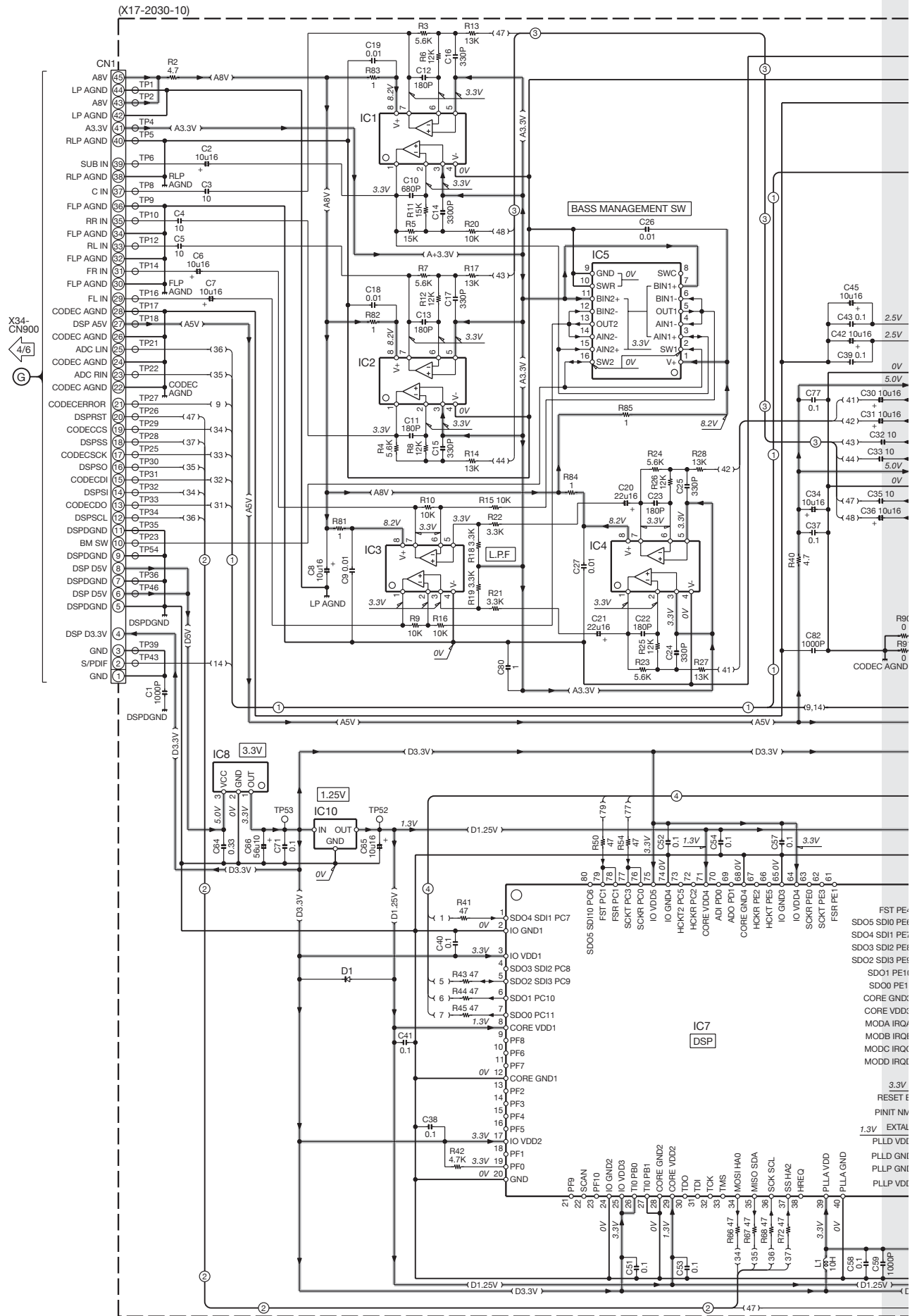
MODEL NAME	UNIT No.	(A)	(B)	(C)	(D)	C2	D2, 7-9,11	R5,12,18,21, 27,127,128	R132
DDX812	0-10	YES	—	YES	YES	YES	—	—	
DDX8022BT/BTY	0-10	YES	—	YES	YES	YES	—	—	
DDX8032BT/BTM	0-11	—	YES	—	—	—	—	YES	
DDX712	0-11	—	YES	—	—	—	—	YES	
DDX7032/M	0-10	YES	—	YES	YES	YES	—	—	
DNX8120	0-10	YES	—	YES	YES	YES	—	—	
DNX8220BT	0-10	YES	—	YES	YES	YES	—	—	
DNX7120	0-11	—	YES	—	—	—	—	YES	
DNX7220	0-11	—	YES	—	—	—	—	YES	
DNX7320	0-11	—	YES	—	—	—	—	YES	

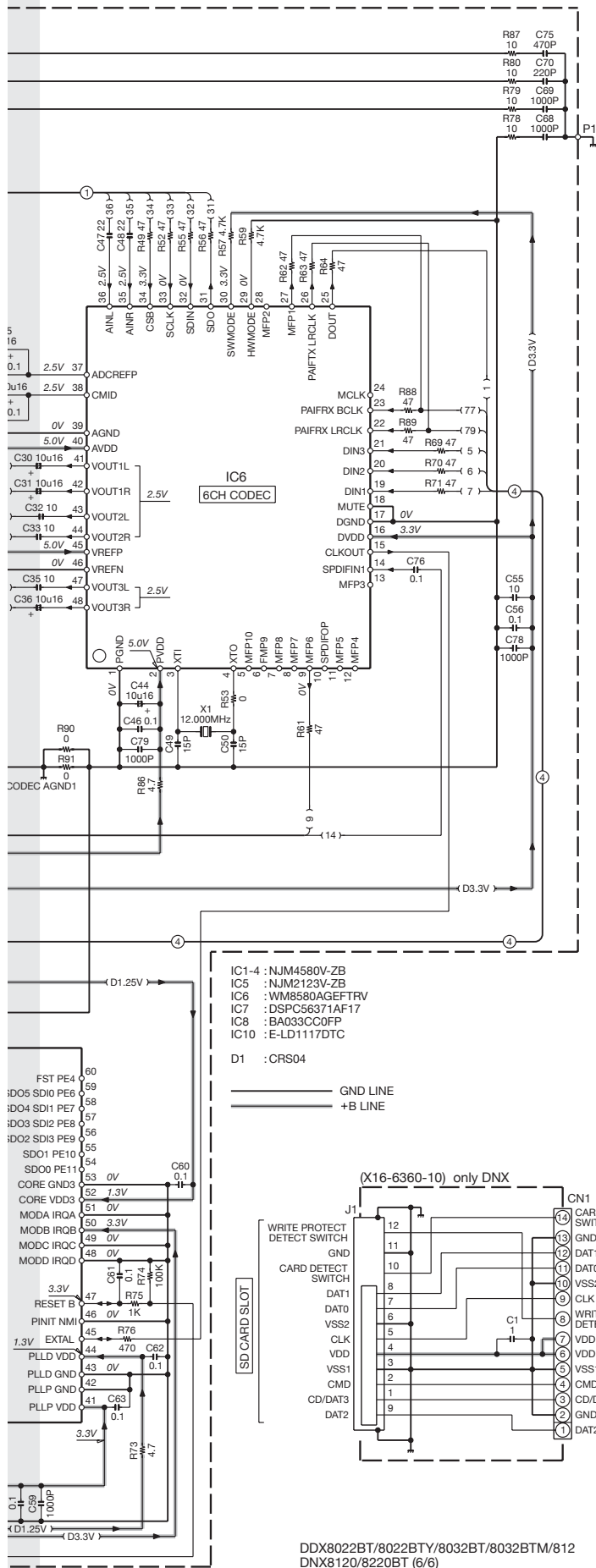
• DC voltages are as measured with a high impedance voltmeter. Values may vary slightly due to variations between individual instruments or/and units.

CAUTION : For continued safety, replace safety critical components only with manufacturer's recommended parts (refer to parts list).

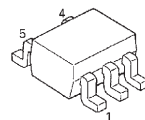
⚠ Indicates safety critical components. To reduce the risk of electric shock, leakage-current or resistance measurements shall be carried out (exposed parts are acceptably insulated from the supply circuit) before the appliance is returned to the customer.

DDX8022BT/8022BTY/8032BT/8032BTM/812
DNX8120/8220BT

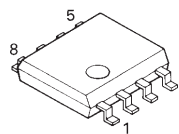




UMC2N



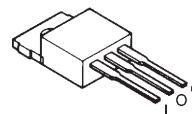
TA75W558FU-F



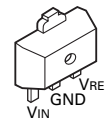
DAN202U



KTA1046-P



TA78L05F-F



DAP202U

DA204U

DTA114YUA



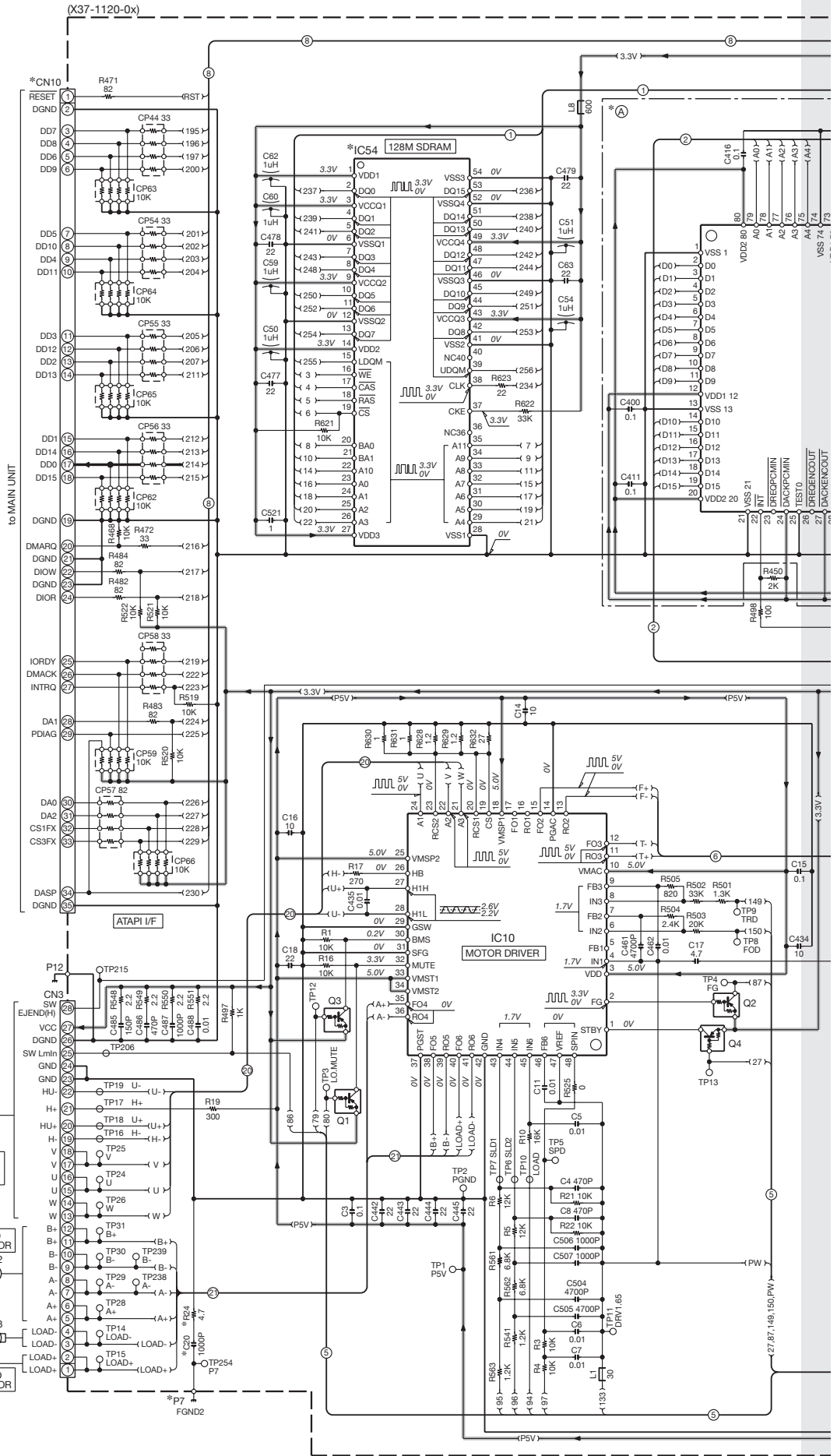
2SK3019



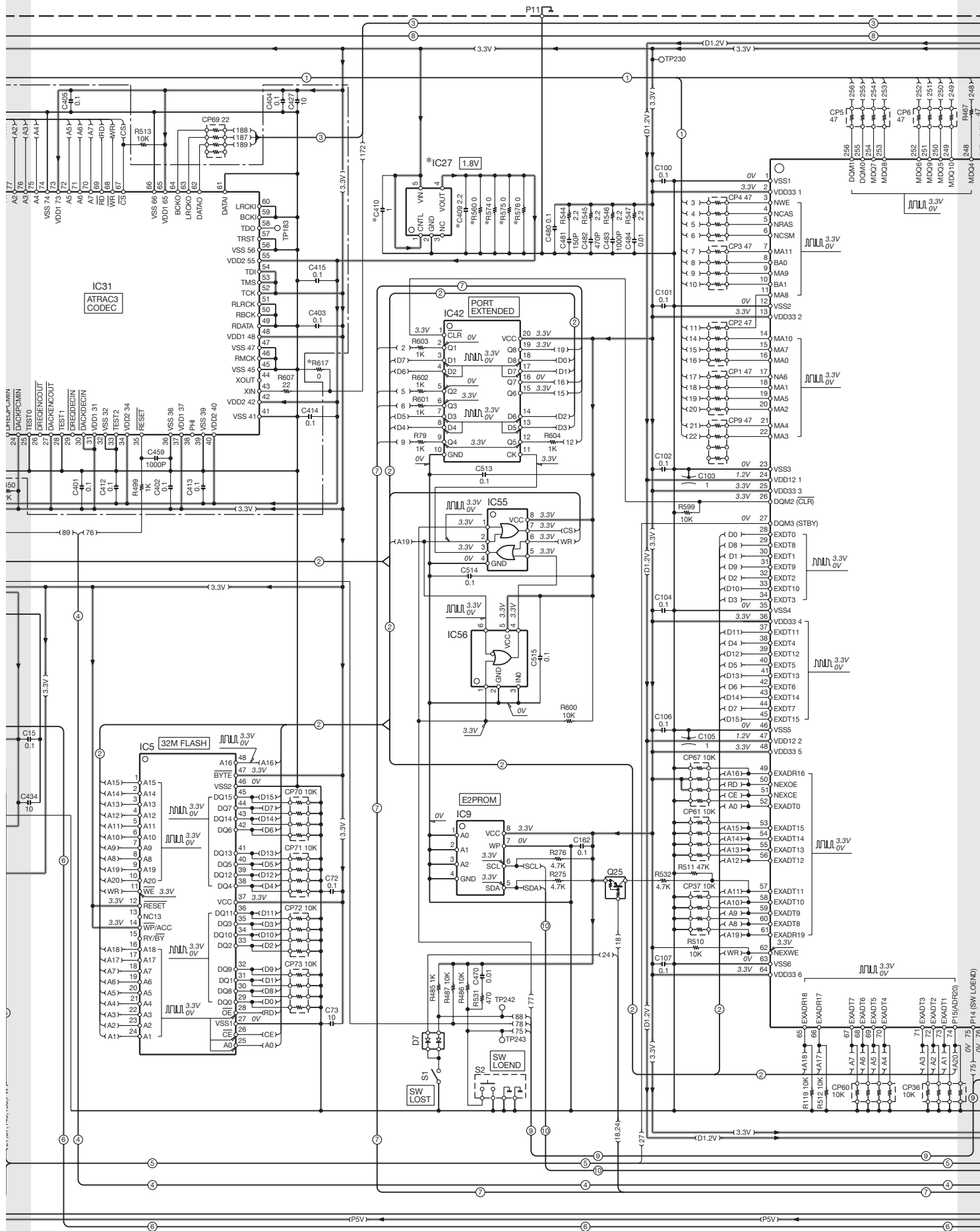
CAUTION : For continued safety, replace safety critical components only with manufacturer's recommended parts (refer to parts list).

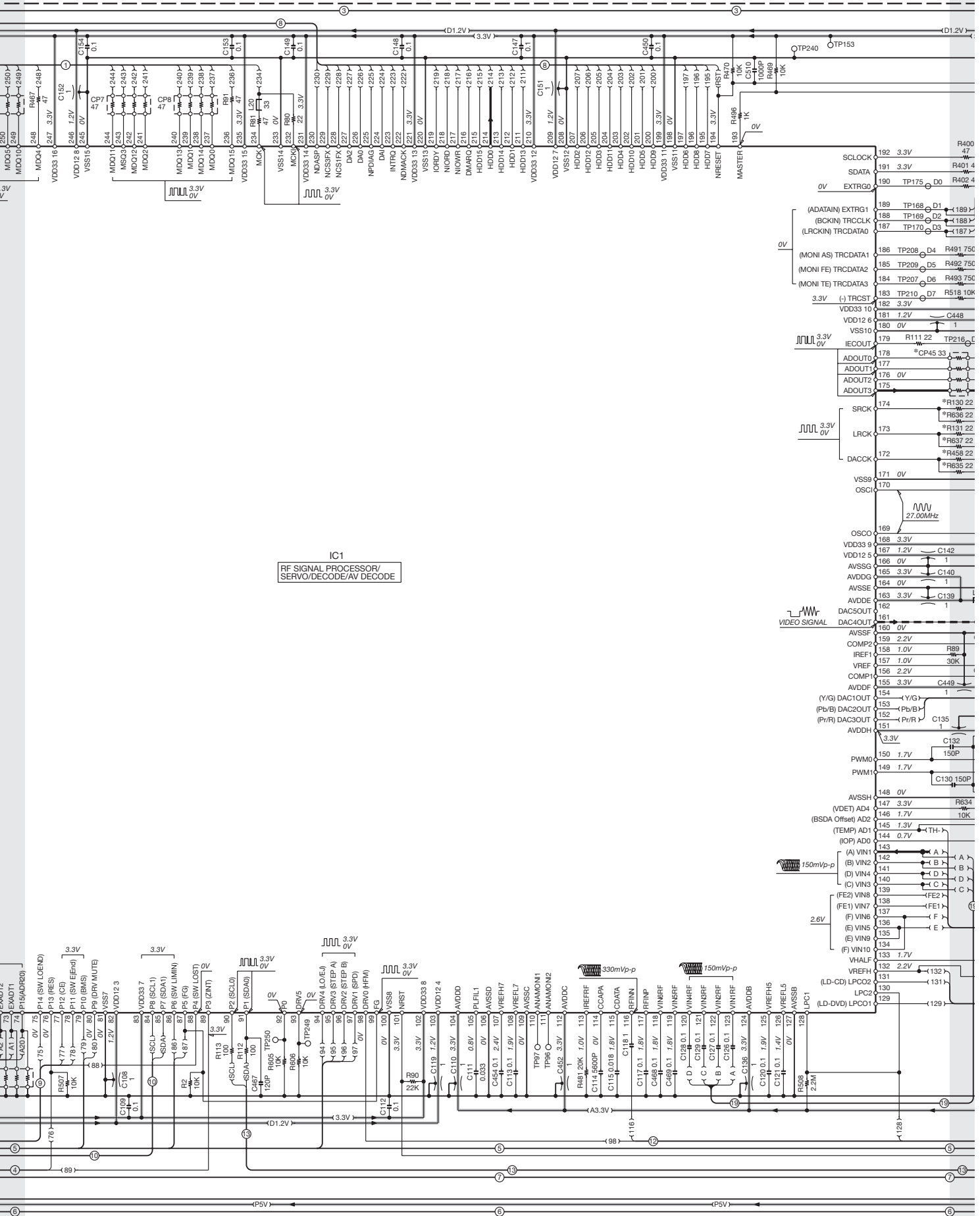
⚠ Indicates safety critical components. To reduce the risk of electric shock, leakage-current or resistance measurements shall be carried out (exposed parts are acceptably insulated from the supply circuit) before the appliance is returned to the customer.

- DC voltages are as measured with a high impedance voltmeter. Values may vary slightly due to variations between individual instruments or/and units.

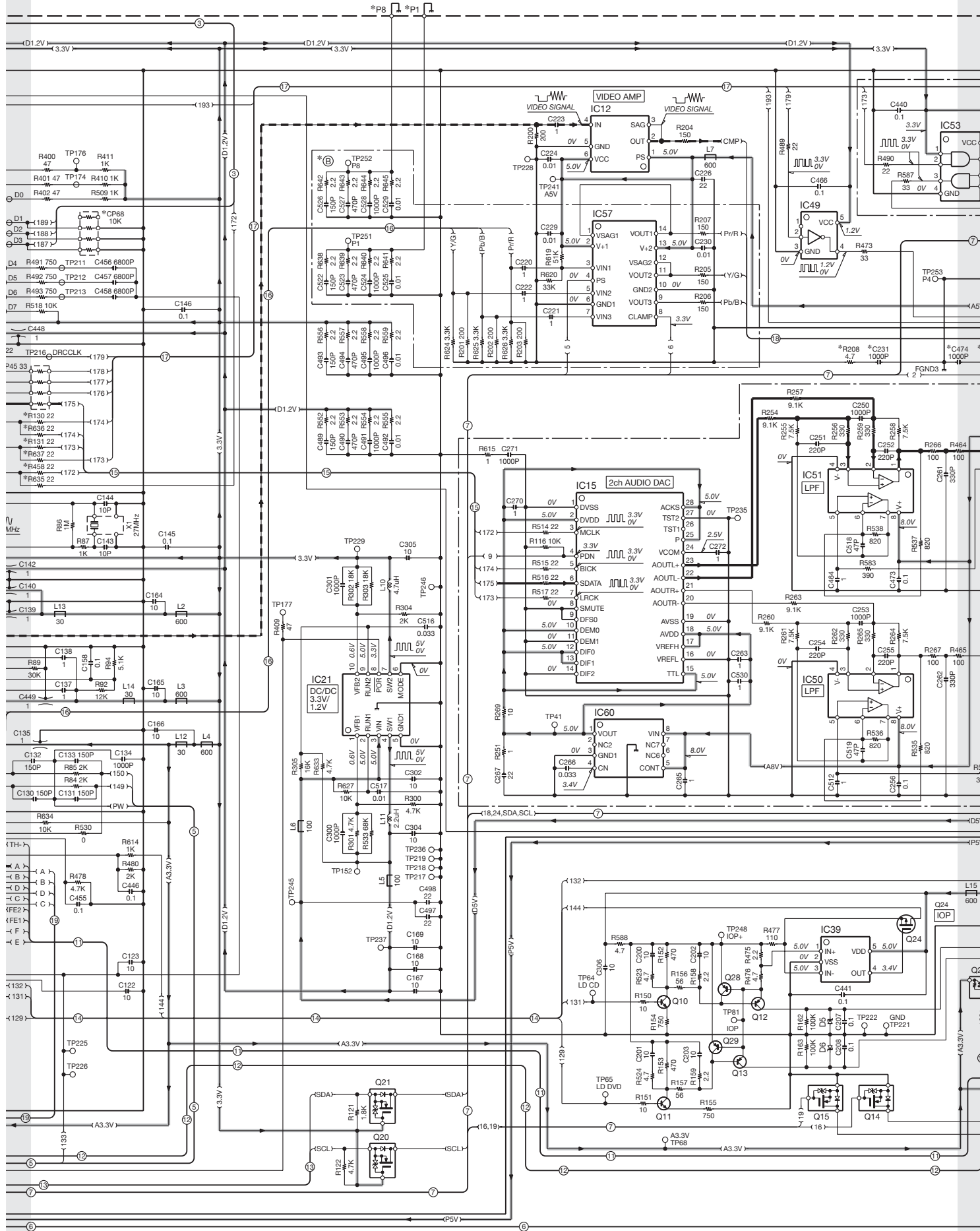


DDX8022BT/8022BTY/8032BT/8032BTM/812
DNX8120/8220BT

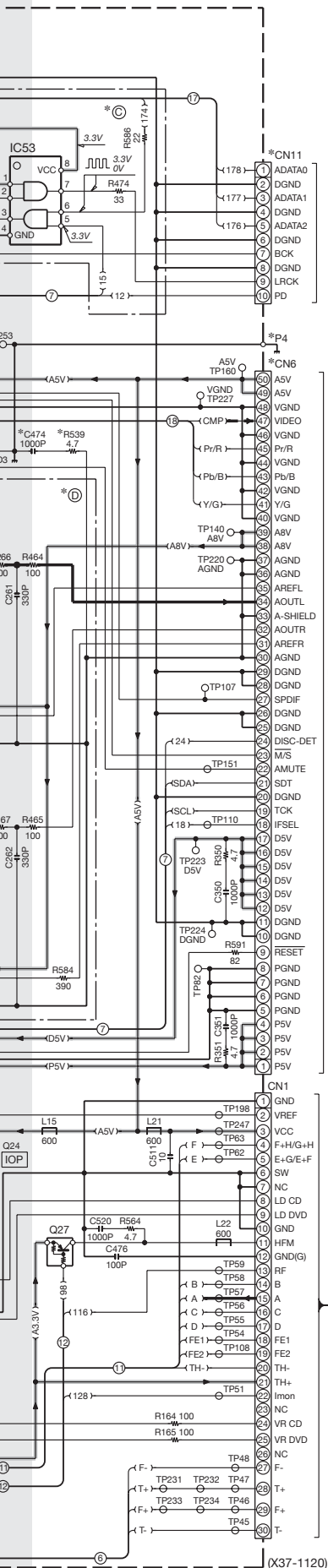




DDX8022BT/8022BTY/8032BT/8032BTM/812 DNX8120/8220BT



DDX8022BT/8022BTY/8032BT/8032BTM/812
DNX8120/8220BT



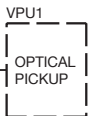
- IC1 : MN2DS0016AAUB
- IC5 : S29AL32D70TF1
- IC8 : S-24CS04AFT
- IC10 : AN41250A-VB
- IC12 : MM1671XNRE
- IC15 : AK4396VF
- IC21 : LTC3548EDD-F
- IC27 : NJM2865F318ZB
- IC31 : LC82360-E
- IC39 : NJU7042
- IC42 : TC74HC273FT
- IC49 : TC7SG04FU-F
- IC50,51 : NJM4580V-ZB
- IC53 : TC7WH08FK-F
- IC54 : *
- IC55 : TC7WH32FU-F
- IC56 : HD74LV1GW57AE
- IC57 : NJM2573V-ZB
- IC60 : MM1665AHBE

- Q1-4,25 : DTA143XE
- Q10,11 : 2SC4617
- Q12,13 : 2SB1709
- Q14,15,20,21 : 2SK3019
- Q24 : SSM3J15FU-F
- Q27 : DTA143ZE
- Q28,29 : 2SA1774

- D5,6 : 015AZ5.1-F(Y)
- D7 : 1SS402-F

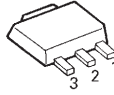
UNIT No.	(A)	(B)	(C)	(D)	(E)	(F)	(G)	(H)	(I)	(J)	(K)	(L)	(M)	(N)	(O)	(P)	(Q)	(R)	(S)	(T)	(U)	(V)	(W)	(X)	(Y)	(Z)
0-00	YES	YES	YES	YES	YES	YES	YES	YES	YES	YES	YES	YES	YES	YES	YES	YES	YES	YES	YES	YES	YES	YES	YES	YES	YES	YES
0-01	YES	YES	YES	YES	YES	YES	YES	YES	YES	YES	YES	YES	YES	YES	YES	YES	YES	YES	YES	YES	YES	YES	YES	YES	YES	YES
0-02	YES	YES	YES	YES	YES	YES	YES	YES	YES	YES	YES	YES	YES	YES	YES	YES	YES	YES	YES	YES	YES	YES	YES	YES	YES	YES
0-03	YES	YES	YES	YES	YES	YES	YES	YES	YES	YES	YES	YES	YES	YES	YES	YES	YES	YES	YES	YES	YES	YES	YES	YES	YES	YES
0-04	YES	YES	YES	YES	YES	YES	YES	YES	YES	YES	YES	YES	YES	YES	YES	YES	YES	YES	YES	YES	YES	YES	YES	YES	YES	YES
0-05	YES	YES	YES	YES	YES	YES	YES	YES	YES	YES	YES	YES	YES	YES	YES	YES	YES	YES	YES	YES	YES	YES	YES	YES	YES	YES
0-06	YES	YES	YES	YES	YES	YES	YES	YES	YES	YES	YES	YES	YES	YES	YES	YES	YES	YES	YES	YES	YES	YES	YES	YES	YES	YES
0-07	YES	YES	YES	YES	YES	YES	YES	YES	YES	YES	YES	YES	YES	YES	YES	YES	YES	YES	YES	YES	YES	YES	YES	YES	YES	YES

to MAIN UNIT

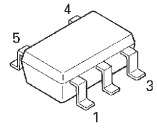


- VIDEO LINE
- SIGNAL LINE
- ... GND LINE
- +B LINE

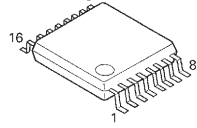
M5237ML-CFOJ



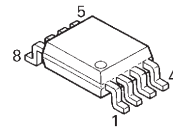
NJM2125F-ZB



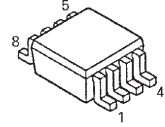
NJM2123V-ZB



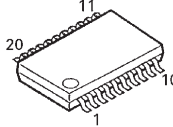
NJM2100V-ZB
NJM4580V-ZB
TC7WHU04FU-F
TC7WH123FU-F



TC7WH157FU-F



TC74VHC273FT



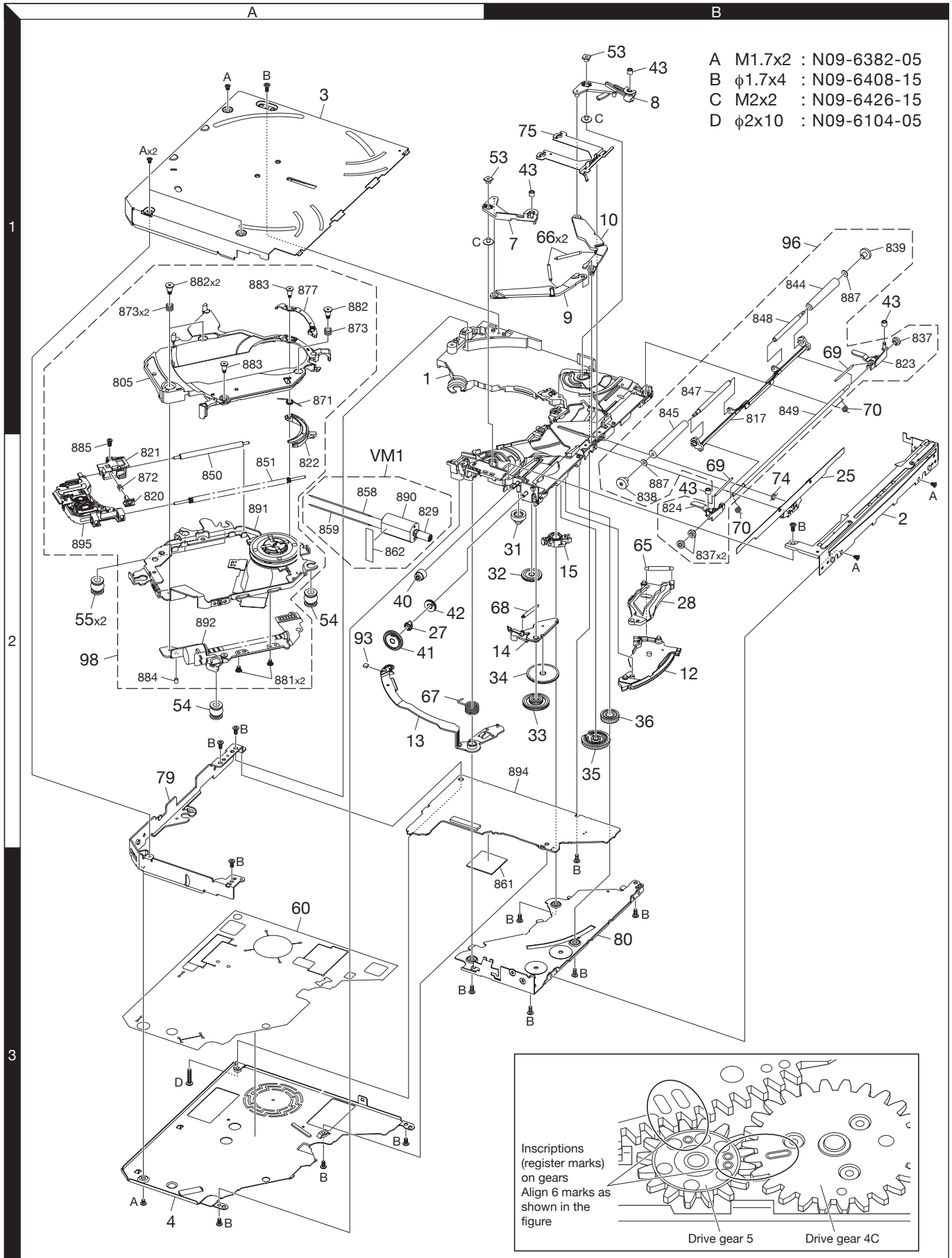
CAUTION : For continued safety, replace safety critical components only with manufacturer's recommended parts (refer to parts list).

△ Indicates safety critical components. To reduce the risk of electric shock, leakage-current or resistance measurements shall be carried out (exposed parts are acceptably insulated from the supply circuit) before the appliance is returned to the customer.

- DC voltages are as measured with a high impedance voltmeter. Values may vary slightly due to variations between individual instruments or/and units.

1
2
3
4
5
6
7

EXPLODED VIEW (DVD MECHANISM)



Parts with the exploded numbers larger than 700 are not supplied.

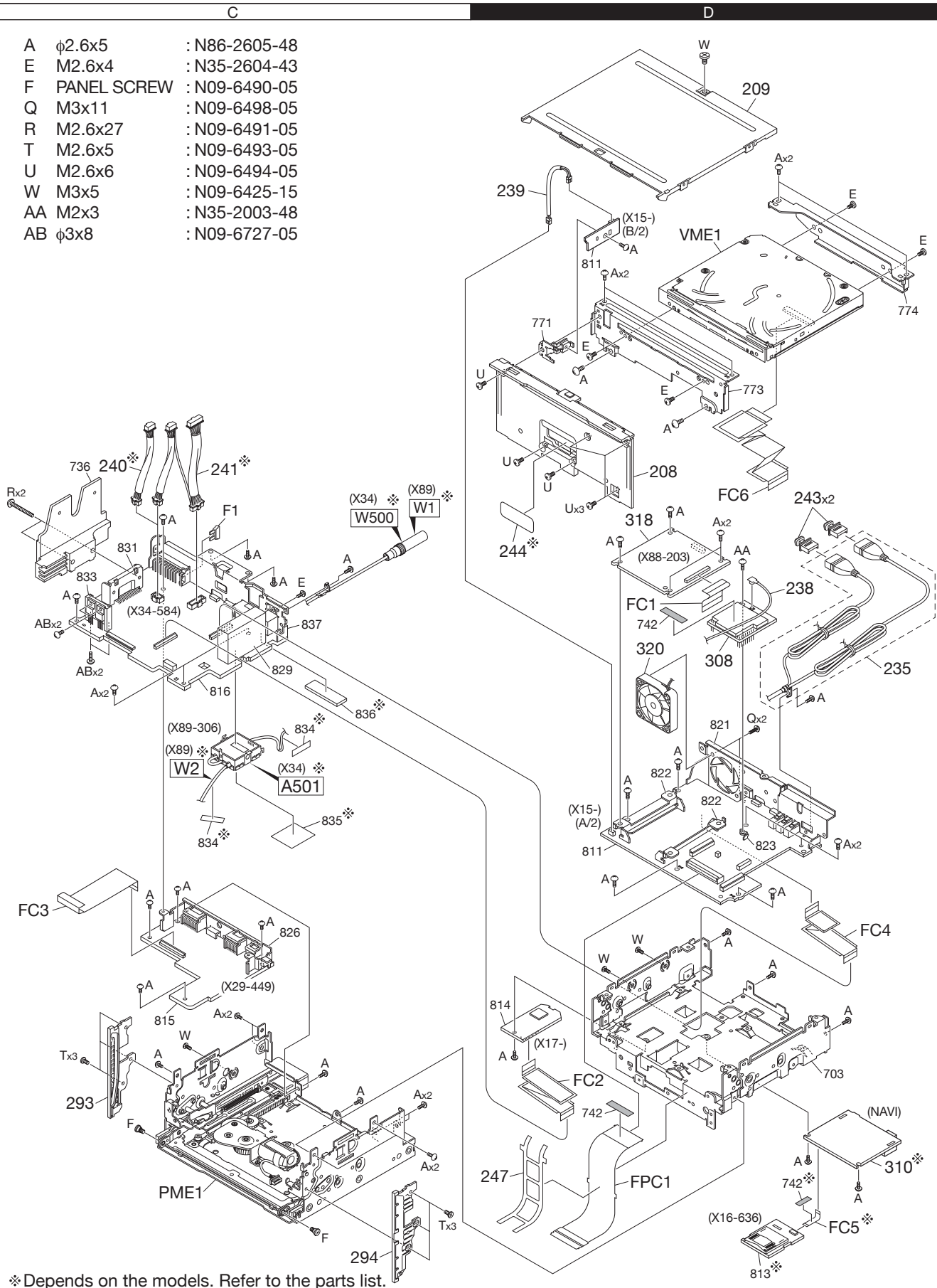
EXPLODED VIEW (UNIT)

- | | | |
|----|-------------|---------------|
| A | φ2.6x5 | : N86-2605-48 |
| E | M2.6x4 | : N35-2604-43 |
| F | PANEL SCREW | : N09-6490-05 |
| Q | M3x11 | : N09-6498-05 |
| R | M2.6x27 | : N09-6491-05 |
| T | M2.6x5 | : N09-6493-05 |
| U | M2.6x6 | : N09-6494-05 |
| W | M3x5 | : N09-6425-15 |
| AA | M2x3 | : N35-2003-48 |
| AB | φ3x8 | : N09-6727-05 |

1

2

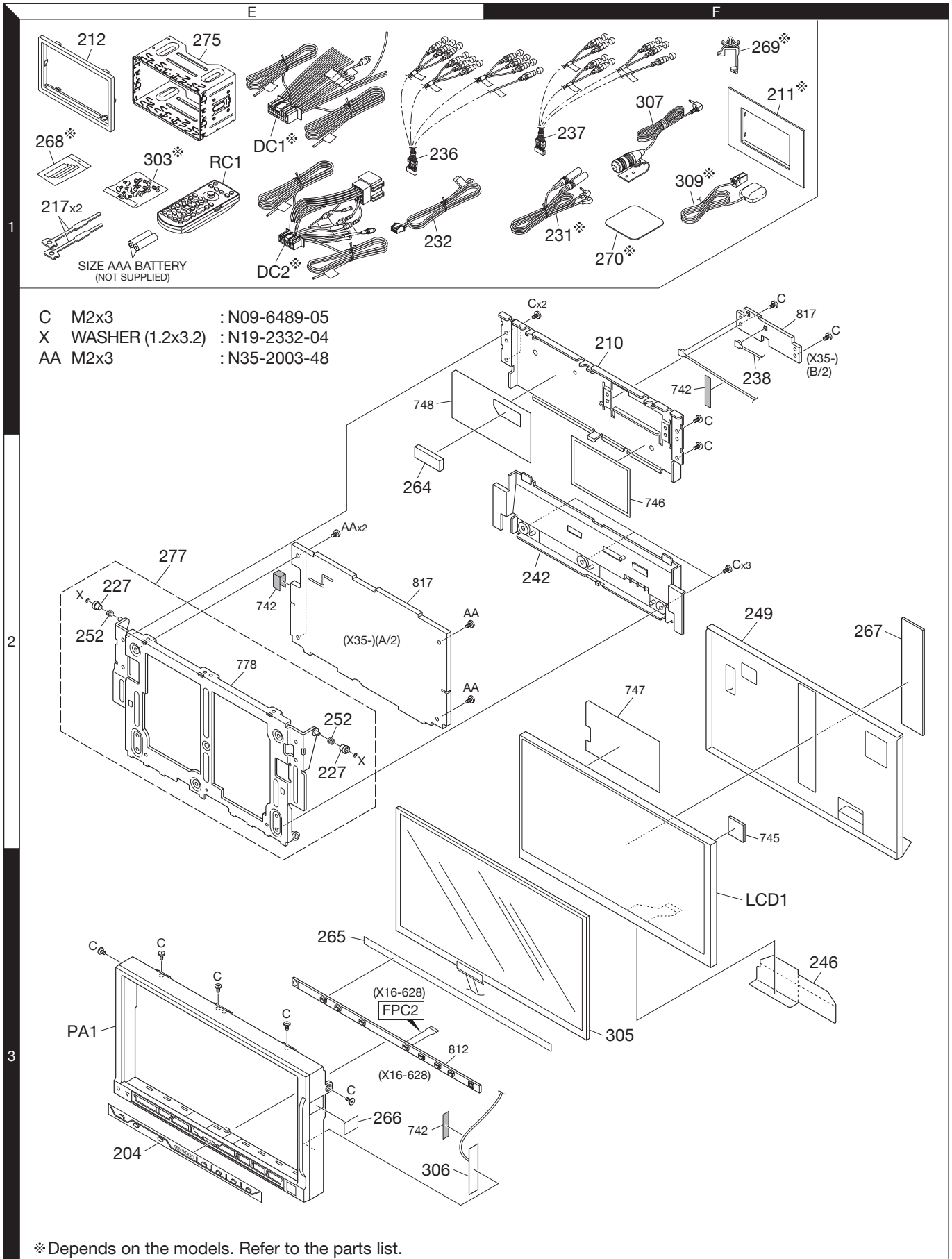
3



* Depends on the models. Refer to the parts list.

Parts with the exploded numbers larger than 700 are not supplied.

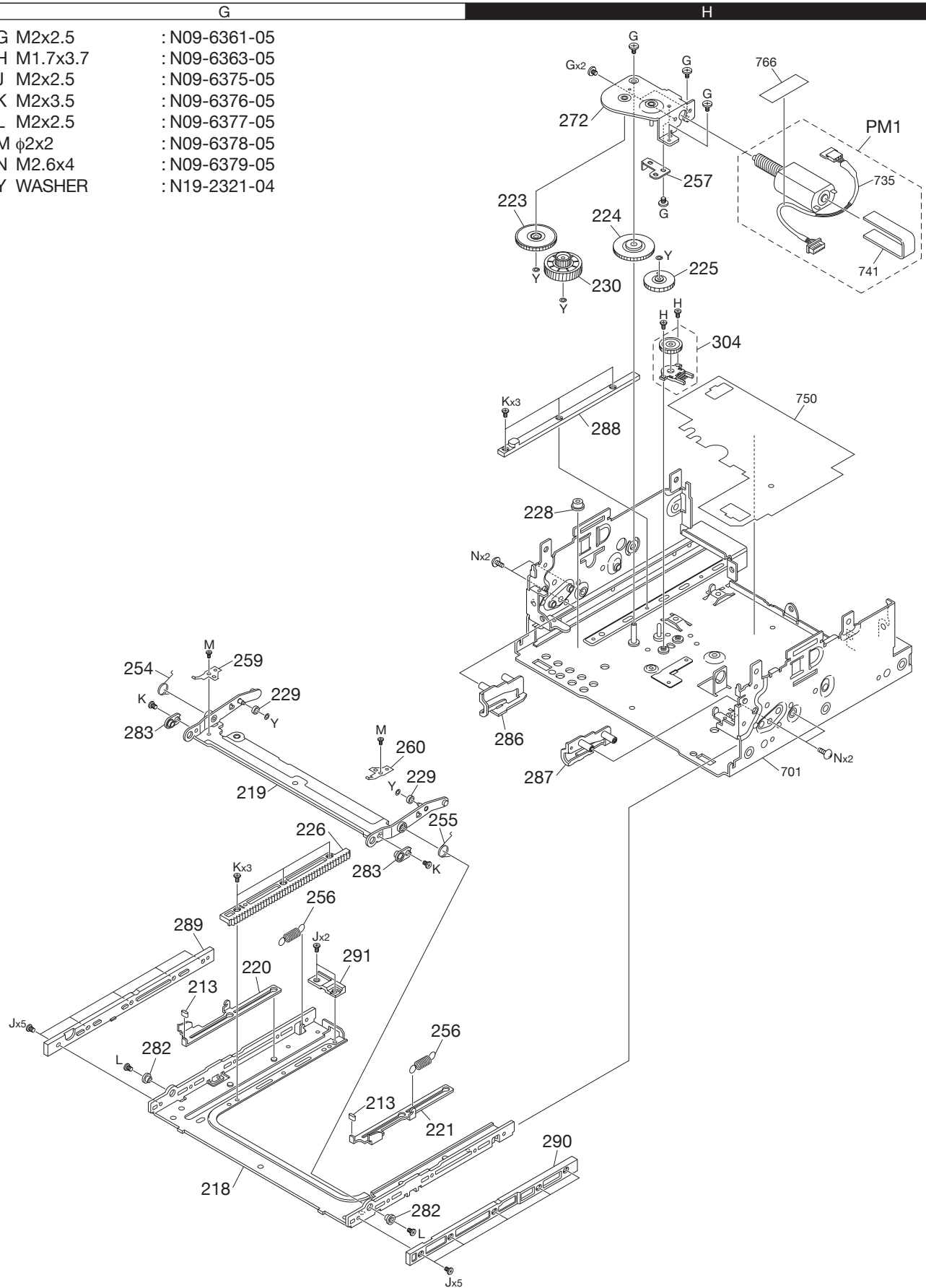
EXPLODED VIEW (PANEL)



Parts with the exploded numbers larger than 700 are not supplied.

EXPLODED VIEW (DRIVE MECHANISM)

G	M2x2.5	: N09-6361-05
H	M1.7x3.7	: N09-6363-05
J	M2x2.5	: N09-6375-05
K	M2x3.5	: N09-6376-05
L	M2x2.5	: N09-6377-05
M	φ2x2	: N09-6378-05
N	M2.6x4	: N09-6379-05
Y	WASHER	: N19-2321-04



Parts with the exploded numbers larger than 700 are not supplied.

PARTS LIST

* New parts

Parts without **Parts No.** are not supplied.

Les articles non mentionnés dans le **Parts No.** ne sont pas fournis.

Teile ohne **Parts No.** werden nicht geliefert.

Ref. No.	A d d	N e w	Parts No.	Description	Desti- nation	Ref. No.	A d d	N e w	Parts No.	Description	Desti- nation
DDX8022BT/8022BTY/8032BT/8032BTM/812_DNX8120/8220BT											
204	3E	*	A21-6665-03	DRESSING PANEL		221	3G		D10-4900-03	LEVER	
208	1D	*	A22-3169-01	SUB PANEL ASSY	K1E3	223	1H		D13-2394-04	GEAR	
208	1D	*	A22-3173-01	SUB PANEL ASSY	KM1M3	224	1H		D13-2395-04	GEAR	
208	1D	*	A22-3173-01	SUB PANEL ASSY	R1	225	1H		D13-2396-04	GEAR	
208	1D	*	A22-3173-01	SUB PANEL ASSY	X1E1E2	226	3G		D13-2397-03	RACK (GEAR)	
209	1D		A52-0895-02	TOP PLATE		227	2E		D14-1024-04	ROLLER	
210	1F		A46-1862-02	REAR COVER		228	2H		D14-1010-04	ROLLER	
PA1	3E	*	A64-4493-01	PANEL ASSY	K1	229	2G		D14-1011-14	ROLLER	
PA1	3E	*	A64-4494-01	PANEL ASSY	E3	230	1H		D19-0653-23	CLUTCH ASSY	
PA1	3E	*	A64-4504-01	PANEL ASSY	K	231	1F		E30-6785-05	CORD WITH PLUG (IPOD VIDEO)	KR1K1
PA1	3E	*	A64-4505-01	PANEL ASSY	R1	232	1E	*	E30-6786-05	CORD WITH PLUG (RELAY)	
PA1	3E	*	A64-4506-01	PANEL ASSY	E1E2	235	2D	*	E30-6790-05	CORD WITH PLUG (USB X2)	
PA1	3E	*	A64-4507-01	PANEL ASSY	M1M3	236	1F	*	E30-6791-05	CORD WITH PINPLUG (AV IN/OUT)	
PA1	3E	*	A64-4508-01	PANEL ASSY	X1	237	1F	*	E30-6793-05	CORD WITH PINPLUG (PREOUT)	
PME1	3C		A10-5300-41	CHASSIS ASSY		238	2D	*	E30-6819-05	CORD WITH PLUG	
RC1	1E		A70-2082-15	REMOTE CONTROLLER AS (RC-DV330)		239	1D	*	E39-0915-05+	WIRING HARNESS	
-		*	B54-4648-00	INSTALLATION MANU (ENG.FRE.SPA)	KR1K1	240	2C	*	E39-0983-15	WIRING HARNESS	KM1M3
-		*	B54-4649-00	INSTALLATION MANUAL (POR.)	R1	240	2C	*	E39-0983-15	WIRING HARNESS	R1
-		*	B54-4650-00	INSTALLATION MANUAL (ENG.)	E1E2E3	240	2C	*	E39-0983-15	WIRING HARNESS	X1E1E2
-		*	B54-4651-00	INSTALLATION MANU (F.G.D.I.S.P)	E1E3	241	2C	*	E39-0986-15	WIRING HARNESS	K1E3
-		*	B54-4652-00	INSTALLATION MA (ENG.S-CHI.KOR)	M1X1M3	DC1	1E	*	E30-6824-05	DC CORD	KR1M1
-		*	B54-4663-00	INSTALLATION MANUAL (ARA.)	M3	DC1	1E	*	E30-6824-05	DC CORD	X1M3K1
-		*	B59-1880-00	SUB-INSTRUCTION MANUAL		DC2	1E	*	E30-6825-05	DC CORD	E1E2E3
-		*	B64-4089-00	INSTRUCTION MANUAL (ENG.)	KR1K1	FC1	2D	*	E39-1003-05	FLAT CABLE	
-		*	B64-4090-00	INSTRUCTION MANUAL (FRE.)	KK1	FC2	3D	*	E39-1023-05	FLAT CABLE	
-		*	B64-4091-00	INSTRUCTION MANUAL (SPA.)	KR1K1	FC3	3C	*	E39-1024-05	FLAT CABLE	
-		*	B64-4092-00	INSTRUCTION MANUAL (POR.)	R1	FC4	3D	*	E39-1025-05	FLAT CABLE	
-		*	B64-4093-00	INSTRUCTION MANUAL (ENG.)	E1E2E3	FC5	3D	*	E39-1026-05	FLAT CABLE	K1E3
-		*	B64-4094-00	INSTRUCTION MANUAL (FRE.)	E1E3	FC6	2D	*	E39-1027-05	FLAT CABLE	
-		*	B64-4095-00	INSTRUCTION MANUAL (GER.)	E1E3	242	2F		F07-1192-02	COVER	
-		*	B64-4096-00	INSTRUCTION MANUAL (DUT.)	E1E3	243	2D		F09-2929-04	CAP (USB)	
-		*	B64-4097-00	INSTRUCTION MANUAL (ITA.)	E1E3	244	2D		F09-2932-04	SHEET	KM1M3
-		*	B64-4098-00	INSTRUCTION MANUAL (SPA.)	E1E3	244	2D		F09-2932-04	SHEET	R1
-		*	B64-4099-00	INSTRUCTION MANUAL (POR.)	E1E3	244	2D		F09-2932-04	SHEET	X1E1E2
-		*	B64-4100-00	INSTRUCTION MANUAL (ENG.)	M1X1M3	246	3F		F09-2958-04	SHEET	
-		*	B64-4101-00	INSTRUCTION MANUAL (S-CHI.)	M1	247	3D	*	F09-2972-04	SHEET	
-		*	B64-4102-00	INSTRUCTION MANUAL (KOR.)	M1	249	2F		F20-2432-03	INSULATING SHEET	
-		*	B64-4110-00	INSTRUCTION MANUAL (ENG.)	K1	△ F1	2C		F52-0007-05	FUSE (MINI BLADE TYPE) 15A	
-		*	B64-4111-00	INSTRUCTION MANUAL (FRE.SPA.)	K1	252	2E		G01-4659-04	COMPRESSION SPRING	
-		*	B64-4112-00	INSTRUCTION MANUAL (ENG.)	E3	254	2G		G01-3288-04	TORSION COIL SPRING	
-		*	B64-4113-00	INSTRUCTION MANUA (FRE.GER.DUT)	E3	255	2G		G01-3289-04	TORSION COIL SPRING	
-		*	B64-4114-00	INSTRUCTION MANUA (ITA.SPA.POR)	E3	256	3G		G01-3290-04	EXTENSION SPRING	
-		*	B64-4171-00	INSTRUCTION MANUAL (ARA.)	M3	257	1H		G02-1539-04	FLAT SPRING	
211	1F		B07-3172-12	ESCUTCHEON	KR1M1	259	2G		G02-1544-04	FLAT SPRING	
211	1F		B07-3172-12	ESCUTCHEON	X1M3K1	260	2G		G02-1545-04	FLAT SPRING	
212	1E		B07-3224-01	ESCUTCHEON		264	2E		G16-1688-04	SHEET	
213	3G		B09-0541-04	CAP		265	3E	*	G16-1713-14	SHEET	
LCD1	3F		B38-1199-05	LCD		266	3E	*	G16-1702-04	SHEET	
217	1E		D10-4589-04	LEVER		-		*	H54-4310-03	ITEM CARTON CASE	K1
218	3G		D10-4895-22	SLIDER ASSY		-		*	H54-4311-03	ITEM CARTON CASE	E3
219	2G		D10-4897-13	ARM ASSY		-		*	H54-4314-03	ITEM CARTON CASE	K
220	3G		D10-4899-03	LEVER		-		*	H54-4315-03	ITEM CARTON CASE	R1
						-		*	H54-4316-03	ITEM CARTON CASE	E1

E1 : DDX8022BT **E2** : DDX8022BTY **E3** : DNX8220BT (Europe)
K : DDX812 **K1** : DNX8120 (North America)
X1 : DDX8032BT (Australia) **R1** : DDX8032BT (Latin America)
M1 : DDX8032BT **M3** : DDX8032BTM (Other Areas)

△ Indicates safety critical components.

PARTS LIST

DDX8022BT/8022BTY/8032BT/8032BTM/812_DNX8120/8220BT

Ref. No.	A d d	N e w	Parts No.	Description	Desti- nation
-		*	H54-4317-03	ITEM CARTON CASE	E2
-		*	H54-4318-03	ITEM CARTON CASE	M1X1
-		*	H54-4376-03	ITEM CARTON CASE	M3
268	1E		H30-0595-04	ADHESIVE DOUBLE-COATED TAPE	KR1M1
268	1E		H30-0595-04	ADHESIVE DOUBLE-COATED TAPE	X1M3K1
269	1F		J11-0660-05	CLAMPER	K1
270	1F		J21-9867-04	MOUNTING HARDWARE (GPS-BOTTOM)	K1E3
272	1H		J22-0444-13	MOUNTING HARDWARE ASSY	
275	1E		J22-0657-03	MOUNTING HARDWARE ASSY	
277	2E	*	J22-0751-02	MOUNTING HARDWARE ASSY	
282	3G		J31-1075-14	COLLAR (ARM COLLAR)	
283	2G		J31-1077-04	COLLAR (PANEL COLLAR)	
286	2H		J90-1124-13	GUIDE ASSY	
287	2H		J90-1126-13	GUIDE ASSY	
288	2H		J90-1128-03	RAIL	
289	3G		J90-1129-23	RAIL	
290	3H		J90-1130-23	RAIL	
291	3G		J90-1131-03	GUIDE	
293	3C		J90-1160-01	RAIL (L)	
294	3C		J90-1161-01	RAIL (R)	
FPC1	3D	*	J86-0051-05	FPC (LEAD FREE)	
303	1E		N99-1779-15	SCREW SET	KR1M1
303	1E		N99-1779-15	SCREW SET	X1M3K1
A	3C		N86-2605-48	BINDING HEAD TAPTITE SCREW	
AA	2D		N35-2003-48	BINDING HEAD MACHINE SCREW	
C	3E	*	N09-6489-05	MACHINE SCREW (M2.0X3.0)	
E	1D		N35-2604-43	BINDING HEAD MACHINE SCREW	
F	3C		N09-6490-05	STEPPED SCREW (PANEL SCREW)	
G	1H		N09-6361-05	MACHINE SCREW (M2X2.5)	
H	1H		N09-6363-05	MACHINE SCREW (M1.7X3.7)	
J	3G		N09-6375-05	MACHINE SCREW (M2X2.5)	
K	2G		N09-6376-05	MACHINE SCREW (M2X3.5)	
L	3G		N09-6377-05	MACHINE SCREW (M2X2.5)	
M	2G		N09-6378-05	TAPTITE SCREW (STITE 2X2)	
N	2H		N09-6379-05	MACHINE SCREW (M2.6X4 BIND)	
R	2C		N09-6491-05	MACHINE SCREW (M2.6X27)	
T	3C		N09-6493-05	MACHINE SCREW (M2.6X5)	
U	1D		N09-6494-05	MACHINE SCREW (M2.6X6)	
W	3C		N09-6425-15	MACHINE SCREW (M3.0X5)	
X	2E		N19-2332-04	FLAT WASHER (1.2X3.2X0.25)	
Y	1H		N19-2321-04	FLAT WASHER (1.6X4X0.25)	
304	1H		R31-0248-05	VARIABLE RESISTOR	
305	3F		S79-0854-05	SWITCH ASSY	
306	3E	*	T90-0588-05	ANTENNA ASSY	
PM1	1H		T42-1322-14	MOTOR ASSY	
307	1F	*	W01-1718-05	MICROPHONE	
308	2D	*	W02-5280-05	ELECTRIC CIRCUIT MODULE (BT)	
309	1F		W02-5305-05	ANTENNA MODULE (GPS-ANT)	K1E3
310	1D	*	W02-5309-05	NAVIGATION MODULE (NAVI-K)	K1
310	1D	*	W02-5310-15	NAVIGATION MODULE (NAVI-E)	E3
318	2D	*	X88-2030-10	DIGITAL I/O UNIT	
VME1	1D	*	X92-6180-01	DVD MECHANISM ASSY (DVS-8561V)	

Ref. No.	A d d	N e w	Parts No.	Description	Desti- nation
VIDEO CONTROL UNIT (X15-115x-xx)					
D514			B30-1767-05	LED	
C1			C90-5670-05	ELECTRO	2200UF 16WV
C2,3			CK73GB1H104K	CHIP C	0.10UF K
C4			CK73FB0J106K	CHIP C	10UF K
C5			CK73GB1H103K	CHIP C	0.010UF K
C6			CK73GB1H104K	CHIP C	0.10UF K
C7,8			CK73GB1H103K	CHIP C	0.010UF K
C9			CE32BF1C221M	CHIP EL	220UF 16WV
C19			CE32BF1E101M	CHIP EL	100UF 25WV
C38			CK73GB1H103K	CHIP C	0.010UF K
C39			CK73GB1H104K	CHIP C	0.10UF K
C40			CE32BF1E101M	CHIP EL	100UF 25WV
C41			CK73GB1C104K	CHIP C	0.10UF K
C42			CK73GB0J105K	CHIP C	1.0UF K
C53			CE32BJ1C470M	CHIP EL	47UF 16WV
C57			CE32BJ1C100M	CHIP EL	10UF 16WV
C58			CK73GB1H103K	CHIP C	0.010UF K
C59			CK73FB1E474K	CHIP C	0.47UF K
C94			CK73GB1A105K	CHIP C	1.0UF K
C95			CK73GB1C104K	CHIP C	0.10UF K
C96			CE32BF1C221M	CHIP EL	220UF 16WV
C97			CE32BJ1C101M	CHIP EL	100UF 16WV
C102			CK73GB1A105K	CHIP C	1.0UF K
C115			CE32BJ1C100M	CHIP EL	10UF 16WV
C122			CK73GB1H103K	CHIP C	0.010UF K
C124,125			CK73GB1A105K	CHIP C	1.0UF K
C128			CK73GB1A105K	CHIP C	1.0UF K
C129			CK73FB0J106K	CHIP C	10UF K
C133			CK73GB1C104K	CHIP C	0.10UF K
C134			CK73GB1A105K	CHIP C	1.0UF K
C137			CK73FB1C105K	CHIP C	1.0UF K
C200,201			CC73GCH1H101J	CHIP C	100PF J
C202			CK73GB1C473K	CHIP C	0.047UF K
C203,204			CK73GB1H102K	CHIP C	1000PF K
C205			CC73GCH1H221J	CHIP C	220PF J
C206			CC73GCH1H101J	CHIP C	100PF J
C207			CC73GCH1H470J	CHIP C	47PF J
C208			CK73GB1H103K	CHIP C	0.010UF K
C209			CK73GB1H223K	CHIP C	0.022UF K
C210			CK73GB1H103K	CHIP C	0.010UF K
C212,213			CK73GB1H102K	CHIP C	1000PF K
C214			CK73GB1C473K	CHIP C	0.047UF K
C215			CC73GCH1H221J	CHIP C	220PF J
C217			CK73GB1H102K	CHIP C	1000PF K
C218			CK73GB1C473K	CHIP C	0.047UF K
C219			CC73GCH1H221J	CHIP C	220PF J
C220			CC73GCH1H470J	CHIP C	47PF J
C221			CK73GB1H103K	CHIP C	0.010UF K
C222			CK73GB1H153K	CHIP C	0.015UF K
C224,225			CK73GB1H102K	CHIP C	1000PF K
C226			CC73GCH1H470J	CHIP C	47PF J
C227			CK73GB1C473K	CHIP C	0.047UF K

E1 : DDX8022BT **E2** : DDX8022BTY **E3** : DNX8220BT (Europe)
K : DDX812 **K1** : DNX8120 (North America)
X1 : DDX8032BT (Australia) **R1** : DDX8032BT (Latin America)
M1 : DDX8032BT **M3** : DDX8032BTM (Other Areas)

△Indicates safety critical components.

PARTS LIST

VIDEO CONTROL UNIT (X15-115x-xx)

Ref. No.	Add	New	Parts No.	Description	Destination	Ref. No.	Add	New	Parts No.	Description	Destination
C228			CC73GCH1H221J	CHIP C 220PF J		C304-306			CK73EB1E106K	CHIP C 10UF K	
C230			CK73GB1H223K	CHIP C 0.022UF K		C401			CK73HB1E103K	CHIP C 0.010UF K	
C231			CK73GB1H102K	CHIP C 1000PF K		C403,404			CK73HB1A104K	CHIP C 0.10UF K	
C232			CK73FB0J106K	CHIP C 10UF K		C405			CK73HB1E103K	CHIP C 0.010UF K	
C233			CK73GB1C104K	CHIP C 0.10UF K		C406			CC73HCH1H220J	CHIP C 22PF J	
C234			CK73GB1H104K	CHIP C 0.10UF K		C407			CC73HCH1H180J	CHIP C 18PF J	
C235			CK73EB1E225K	CHIP C 2.2UF K		C408			CK73HB0J105K	CHIP C 1.0UF K	
C236-238			CK73GB1H104K	CHIP C 0.10UF K		C409-415			CK73HB1A104K	CHIP C 0.10UF K	
C239,240			CK73GB1H103K	CHIP C 0.010UF K		C416-419			CC73HCH1H471J	CHIP C 470PF J	
C241			CK73GB1H104K	CHIP C 0.10UF K		C420			CK73HB0J105K	CHIP C 1.0UF K	
C242			CK73FB0J106K	CHIP C 10UF K		C421-426			CC73HCH1H101J	CHIP C 100PF J	
C243			CK73GB1C104K	CHIP C 0.10UF K		C427,428			CC73HCH1H100D	CHIP C 10PF D	
C244			CK73GB1H104K	CHIP C 0.10UF K		C429,430			CK73FB0J106K	CHIP C 10UF K	
C245			CK73EB1E225K	CHIP C 2.2UF K		C433			CK73GB1H103K	CHIP C 0.010UF K	
C246-248			CK73GB1H104K	CHIP C 0.10UF K		C434,435			CK73GB1H222K	CHIP C 2200PF K	
C249,250			CK73GB1H103K	CHIP C 0.010UF K		C500			CK73GB1C104K	CHIP C 0.10UF K	
C251			CK73GB1H104K	CHIP C 0.10UF K		C501,502			CC73GCH1H100D	CHIP C 10PF D	
C252			CK73GB1H103K	CHIP C 0.010UF K		C503			CK73GB1H104K	CHIP C 0.10UF K	K1E3
C253			CK73GB1H104K	CHIP C 0.10UF K		C505			CC73GCH1H100D	CHIP C 10PF D	
C254			CK73EB1E106K	CHIP C 10UF K		C506,507			CK73GB1A105K	CHIP C 1.0UF K	
C255			CK73GB1H103K	CHIP C 0.010UF K		C509			CC73GCH1H100D	CHIP C 10PF D	
C256			CK73GB1H104K	CHIP C 0.10UF K		C511,512			CK73GB1A105K	CHIP C 1.0UF K	
C257,258			CE32BQ1E680M	CHIP EL 68UF 25WV		C513			CC73GCH1H101J	CHIP C 100PF J	
C259			CK73GB1H104K	CHIP C 0.10UF K		C514			CE32BJ1C100M	CHIP EL 10UF 16WV	
C260			CK73GB1H103K	CHIP C 0.010UF K		C515			CK73GB1C104K	CHIP C 0.10UF K	
C261			CK73EB1E106K	CHIP C 10UF K		C517			CK73FB0J106K	CHIP C 10UF K	
C262			CK73GB1H102K	CHIP C 1000PF K		C518			CK73GB1H222K	CHIP C 2200PF K	
C263			CE32AV1A121M	CHIP EL 120UF 10WV		C520			CK73GB1H103K	CHIP C 0.010UF K	
C264			CK73GB1H103K	CHIP C 0.010UF K		C521			CE32BJ1C470M	CHIP EL 47UF 16WV	
C265,266			CK73GB1C104K	CHIP C 0.10UF K		C522,523			CK73GB0J475K	CHIP C 4.7UF K	
C267			CK73GB1H103K	CHIP C 0.010UF K		C524,525			CK73GB1C104K	CHIP C 0.10UF K	
C268			CE32AV0J221M	CHIP EL 220UF 6.3WV		C526-528			CK73GB1A474K	CHIP C 0.47UF K	
C269			CK73GB1H102K	CHIP C 1000PF K		C529			CK73GB1H102K	CHIP C 1000PF K	
C270			CK73GB1H103K	CHIP C 0.010UF K		C530			CK73GB1A474K	CHIP C 0.47UF K	
C271			CK73GB1H104K	CHIP C 0.10UF K		C531			CK73GB1C104K	CHIP C 0.10UF K	
C272,273			CK73GB1H102K	CHIP C 1000PF K		C533,534			CK73GB1H222K	CHIP C 2200PF K	
C274			CK73GB1H103K	CHIP C 0.010UF K		C535-538			CK73FB0J106K	CHIP C 10UF K	
C275			CK73GB1H104K	CHIP C 0.10UF K		C600			CK73GB1H103K	CHIP C 0.010UF K	
C276			CK73EB1E106K	CHIP C 10UF K		C601,602			CK73GB0J475K	CHIP C 4.7UF K	
C277			CK73GB1H103K	CHIP C 0.010UF K		C603-605			CK73GB0J105K	CHIP C 1.0UF K	
C278			CK73GB1H104K	CHIP C 0.10UF K		C606			CK73GB0J475K	CHIP C 4.7UF K	
C279			CE32BQ1E680M	CHIP EL 68UF 25WV		C607			CK73GB1H103K	CHIP C 0.010UF K	
C280			CE32BM1E470M	CHIP EL 47UF 25WV		C608			CK73GB0J475K	CHIP C 4.7UF K	
C281			CK73GB1H104K	CHIP C 0.10UF K		C609,610			CK73GB0J105K	CHIP C 1.0UF K	
C282			CK73GB1H102K	CHIP C 1000PF K		C611			CK73GB0J475K	CHIP C 4.7UF K	
C283			CE32AV0G331M	CHIP EL 330UF 4.0WV		C612			CK73GB0J105K	CHIP C 1.0UF K	
C284			CK73GB1H103K	CHIP C 0.010UF K		C613			CK73GB0J475K	CHIP C 4.7UF K	
C285,286			CK73GB1C104K	CHIP C 0.10UF K		C614-616			CK73GB1H103K	CHIP C 0.010UF K	
C287			CK73GB1H102K	CHIP C 1000PF K		C618,619			CK73FB0J106K	CHIP C 10UF K	
C288			CK73GB1H103K	CHIP C 0.010UF K		C620			CK73GB0J475K	CHIP C 4.7UF K	KM1M3
C289			CK73GB1H104K	CHIP C 0.10UF K		C620			CK73GB0J475K	CHIP C 4.7UF K	R1
C290			CK73GB1H103K	CHIP C 0.010UF K		C620			CK73GB0J475K	CHIP C 4.7UF K	X1E1E2
C291			C93-1367-05	CHIP C 10UF K		C621			CK73GB1C104K	CHIP C 0.10UF K	KM1M3
C293			CK73GB1H103K	CHIP C 0.010UF K		C621			CK73GB1C104K	CHIP C 0.10UF K	R1
C294			CE32AV0J221M	CHIP EL 220UF 6.3WV		C621			CK73GB1C104K	CHIP C 0.10UF K	X1E1E2

E1 : DDX8022BT E2 : DDX8022BTY E3 : DNX8220BT (Europe)
K : DDX812 K1 : DNX8120 (North America)
X1 : DDX8032BT (Australia) R1 : DDX8032BT (Latin America)
M1 : DDX8032BT M3 : DDX8032BTM (Other Areas)

△ Indicates safety critical components.

PARTS LIST

VIDEO CONTROL UNIT (X15-115x-xx)

Ref. No.	Add	New	Parts No.	Description	Destination
C622			CK73FB0J106K	CHIP C 10UF K	KM1M3
C623,624			CK73GB1C104K	CHIP C 0.10UF K	
C625			CK73GB1H222K	CHIP C 2200PF K	
C627			CK73GB1H222K	CHIP C 2200PF K	
C628			CK73GB1C104K	CHIP C 0.10UF K	
C628			CK73GB1C104K	CHIP C 0.10UF K	R1 X1E1E2
C628			CK73GB1C104K	CHIP C 0.10UF K	
C630			CK73GB1H222K	CHIP C 2200PF K	
C633			CK73GB1A105K	CHIP C 1.0UF K	
C634			CK73GB1H222K	CHIP C 2200PF K	
C635			CK73GB1A105K	CHIP C 1.0UF K	R1 X1E1E2
C636,637			CE32BJ1C220M	CHIP EL 22UF 16WV	
C638			CK73GB1A105K	CHIP C 1.0UF K	
C640,641			CK73GB1A105K	CHIP C 1.0UF K	
C650			CK73GB1H222K	CHIP C 2200PF K	
C700-702			CK73GB1H103K	CHIP C 0.010UF K	R1 X1E1E2
C703,704			CK73GB1C104K	CHIP C 0.10UF K	
C705			CK73GB1H103K	CHIP C 0.010UF K	
C706			CK73GB1C104K	CHIP C 0.10UF K	
C708			CK73GB1H222K	CHIP C 2200PF K	
C709			CE32BF1E101M	CHIP EL 100UF 25WV	
C710,711			CK73GB1H103K	CHIP C 0.010UF K	
C712			CK73FB0J106K	CHIP C 10UF K	
C713-716			CK73GB1H222K	CHIP C 2200PF K	
C850			CK73FB1A225K	CHIP C 2.2UF K	
C851-854			CK73GB1C104K	CHIP C 0.10UF K	R1 X1E1E2
C855			CK73FB0J106K	CHIP C 10UF K	
C856			CK73GB1C104K	CHIP C 0.10UF K	
C857			CK73FB0J106K	CHIP C 10UF K	
C858			CE32BF1C101M	CHIP EL 100UF 16WV	
C859,860			CK73GB1C104K	CHIP C 0.10UF K	
C861			CC73GCH1H101J	CHIP C 100PF J	
C862-868			CK73GB1H103K	CHIP C 0.010UF K	
C869			CK73FB0J106K	CHIP C 10UF K	
C870-873			CK73GB1H222K	CHIP C 2200PF K	
CN3			E41-2771-05	PIN ASSY	R1 X1E1E2
CN500		*	E41-2248-05	PIN ASSY	
CN501			E41-1476-05	PIN ASSY	
CN502			E41-1486-05	PIN ASSY	
CN503		*	E41-2956-05	SOCKET FOR PIN ASSY	
CN504		*	E41-2957-05	SOCKET FOR PIN ASSY	
CN700			E41-2608-05	FLAT CABLE CONNECTOR	
CN701			E41-2979-05	FLAT CABLE CONNECTOR	
CN850			E41-2735-05	PIN ASSY	
CN851			E41-2980-05	FLAT CABLE CONNECTOR	
CN852			E41-2979-05	FLAT CABLE CONNECTOR	
J500,501			E11-0625-05	PHONE JACK (LGY6502-0900)	
J502			E11-0656-05	PHONE JACK (3.5D YELLOW)	
320	2D		F09-2923-05	FAN	
F3			F53-0297-05	FUSE (UL,CSA) 1.6A	
F700			F53-0297-05	FUSE (UL,CSA) 1.6A	
L1			L33-2358-05	CHOKE COIL	
L2			L41-4795-33	SMALL FIXED INDUCTOR (4.7U)	
L3			L33-2369-05	CHOKE COIL 10UH	

Ref. No.	Add	New	Parts No.	Description	Destination
L4		*	L33-2475-05	CHOKE COIL 22UH	K1E3
L200			L33-2370-05	CHOKE COIL 10UH	
L201,202			L33-2369-05	CHOKE COIL 10UH	
L203			L33-2455-05	CHOKE COIL 10UH	
L204			L33-2369-05	CHOKE COIL 10UH	
L205,206			L33-2455-05	CHOKE COIL 10UH	R1 X1E1E2
L207			L33-2417-05	CHOKE COIL 10UH	
L401,402			L92-0332-05	CHIP FERRITE	
L850			L33-2369-05	CHOKE COIL	
X400			L77-2921-05	CRYSTAL RESONATOR (32.768KHZ)	
X401		*	L77-2975-05	CRYSTAL RESONATOR (11.0592MHZ)	
Q	2D		N09-6498-05	MACHINE SCREW (M3.0X11)	
CP401,402			RK74HB1J101J	CHIP-COM 100 J 1/16W	
CP404			RK74HB1J101J	CHIP-COM 100 J 1/16W	
CP406			RK74HB1J101J	CHIP-COM 100 J 1/16W	
R1			RK73GH2A104D	CHIP R 100K D 1/10W	
R2			RK73GH2A513D	CHIP R 51K D 1/10W	
R3			RK73GH2A333D	CHIP R 33K D 1/10W	
R4,5			RK73GH2A334D	CHIP R 330K D 1/10W	
R6			RK73GB2A823J	CHIP R 82K J 1/10W	
R7			RK73GB2A103J	CHIP R 10K J 1/10W	
R8			RK73GH2A113D	CHIP R 11K D 1/10W	
R9,10			RK73GB2A224J	CHIP R 220K J 1/10W	
R11			RK73GH2A104D	CHIP R 100K D 1/10W	
R12			RK73GB2A100J	CHIP R 10 J 1/10W	
R13			RK73GH2A683D	CHIP R 68K D 1/10W	
R14,15			RK73GB2A224J	CHIP R 220K J 1/10W	
R16			RK73GB2A000J	CHIP R 0.0 J 1/10W	
R17			RK73GB2A224J	CHIP R 220K J 1/10W	
R18			RK73GB2A333J	CHIP R 33K J 1/10W	
R20			RK73GB2A100J	CHIP R 10 J 1/10W	
R23			RK73GB2A224J	CHIP R 220K J 1/10W	
R24			RK73GB2A304J	CHIP R 300K J 1/10W	
R25			RK73GB2A224J	CHIP R 220K J 1/10W	
R34			RK73GB2A202J	CHIP R 2.0K J 1/10W	
R35			RK73GB2A101J	CHIP R 100 J 1/10W	
R38			RK73GB2A154J	CHIP R 150K J 1/10W	
R43			RK73GB2A164J	CHIP R 160K J 1/10W	
R44			RK73FB2B000J	CHIP R 0.0 J 1/8W	
R50			RK73GB2A224J	CHIP R 220K J 1/10W	
R57			RK73GB2A563J	CHIP R 56K J 1/10W	
R58			RK73GB2A224J	CHIP R 220K J 1/10W	
R65			RK73GB2A302J	CHIP R 3.0K J 1/10W	
R66			RK73GB2A101J	CHIP R 100 J 1/10W	
R67			RK73FB2B000J	CHIP R 0.0 J 1/8W	
R69			RK73GB2A332J	CHIP R 3.3K J 1/10W	
R70			RK73GH2A113D	CHIP R 11K D 1/10W	
R71			RK73GB2A272J	CHIP R 2.7K J 1/10W	
R72			RK73FB2B000J	CHIP R 0.0 J 1/8W	
R73			RK73GH2A113D	CHIP R 11K D 1/10W	
R74			RK73GB2A000J	CHIP R 0.0 J 1/10W	
R75			RK73GB2A302J	CHIP R 3.0K J 1/10W	
R76			RK73GB2A101J	CHIP R 100 J 1/10W	

E1 : DDX8022BT E2 : DDX8022BTY E3 : DNX8220BT (Europe)
K : DDX812 K1 : DNX8120 (North America)
X1 : DDX8032BT (Australia) R1 : DDX8032BT (Latin America)
M1 : DDX8032BT M3 : DDX8032BTM (Other Areas)

△ Indicates safety critical components.

PARTS LIST

VIDEO CONTROL UNIT (X15-115x-xx)

Ref. No.	Add	New	Parts No.	Description	Destination	Ref. No.	Add	New	Parts No.	Description	Destination
R77			RK73GB2A000J	CHIP R 0.0 J 1/10W		R302			RK73EB2E100J	CHIP R 10 J 1/4W	
R87			RK73GB2A000J	CHIP R 0.0 J 1/10W		R304			R92-5159-05	CHIP R 0.033 J 1/4W	
R88			RK73GB2A332J	CHIP R 3.3K J 1/10W		R306,307			R92-5158-05	CHIP R 0.022 J 1/4W	
R90			RK73GH2A113D	CHIP R 11K D 1/10W		R308-311			RK73GB2A000J	CHIP R 0.0 J 1/10W	
R91			RK73GB2A272J	CHIP R 2.7K J 1/10W		R312			RK73EB2E000J	CHIP R 0.0 J 1/4W	
R92			RK73GH2A113D	CHIP R 11K D 1/10W		R314			RK73GB2A000J	CHIP R 0.0 J 1/10W	
R93			RK73GB2A000J	CHIP R 0.0 J 1/10W		R400,401			RK73HB1J472J	CHIP R 4.7K J 1/16W	
R94			RK73GB2A473J	CHIP R 47K J 1/10W		R402			RK73HB1J103J	CHIP R 10K J 1/16W	
R95			RK73GB2A562J	CHIP R 5.6K J 1/10W		R403			RK73HB1J473J	CHIP R 47K J 1/16W	
R96			RK73GB2A472J	CHIP R 4.7K J 1/10W		R405			RK73HB1J103J	CHIP R 10K J 1/16W	
R97			RK73GB2A561J	CHIP R 560 J 1/10W		R407			RK73HB1J103J	CHIP R 10K J 1/16W	K1E3
R98			RK73GB2A000J	CHIP R 0.0 J 1/10W		R408-410			RK73HB1J103J	CHIP R 10K J 1/16W	R1E1E2
R100			RK73GB2A000J	CHIP R 0.0 J 1/10W		R408-410			RK73HB1J103J	CHIP R 10K J 1/16W	X1
R101			RK73GB2A202J	CHIP R 2.0K J 1/10W		R408-411			RK73HB1J103J	CHIP R 10K J 1/16W	M1M3
R103			RK73GB2A101J	CHIP R 100 J 1/10W		R408,409			RK73HB1J103J	CHIP R 10K J 1/16W	K
R105			RK73GB2A000J	CHIP R 0.0 J 1/10W		R409			RK73HB1J103J	CHIP R 10K J 1/16W	K1
R200			RK73GB2A000J	CHIP R 0.0 J 1/10W		R409,410			RK73HB1J103J	CHIP R 10K J 1/16W	E3
R203-205			RK73GH2A561D	CHIP R 560 D 1/10W		R411			RK73HB1J103J	CHIP R 10K J 1/16W	KK1
R208			RK73GB2A000J	CHIP R 0.0 J 1/10W		R411			RK73HB1J303J	CHIP R 30K J 1/16W	X1
R210			RK73GB2A333J	CHIP R 33K J 1/10W		R411			RK73HB1J332J	CHIP R 3.3K J 1/16W	E1E2E3
R215			RK73GB2A683J	CHIP R 68K J 1/10W		R412			RK73HB1J000J	CHIP R 0.0 J 1/16W	
R218			RK73GB2A103J	CHIP R 10K J 1/10W		R413,414			RK73HB1J101J	CHIP R 100 J 1/16W	
R222			RK73GH2A622D	CHIP R 6.2K D 1/10W		R416-418			RK73HB1J473J	CHIP R 47K J 1/16W	
R233			RK73GH2A912D	CHIP R 9.1K D 1/10W		R419			RK73GB2A101J	CHIP R 100 J 1/10W	
R234			RK73GH2A333D	CHIP R 33K D 1/10W		R420			RK73HB1J473J	CHIP R 47K J 1/16W	
R238			RK73GH2A561D	CHIP R 560 D 1/10W		R422			RK73HB1J473J	CHIP R 47K J 1/16W	
R240			RK73GB2A000J	CHIP R 0.0 J 1/10W		R423			RK73HB1J104J	CHIP R 100K J 1/16W	
R243			RK73GB2A000J	CHIP R 0.0 J 1/10W		R425			RK73HB1J331J	CHIP R 330 J 1/16W	
R245			RK73GH2A681D	CHIP R 680 D 1/10W		R426			RK73HB1J223J	CHIP R 22K J 1/16W	
R246			RK73GH2A562D	CHIP R 5.6K D 1/10W		R427-433			RK73HB1J101J	CHIP R 100 J 1/16W	
R247			RK73GH2A333D	CHIP R 33K D 1/10W		R434			RK73HB1J473J	CHIP R 47K J 1/16W	
R248-250			RK73GB2A000J	CHIP R 0.0 J 1/10W		R435-437			RK73HB1J101J	CHIP R 100 J 1/16W	
R257			RK73GH2A561D	CHIP R 560 D 1/10W		R438			RK73HB1J123J	CHIP R 12K J 1/16W	
R258			RK73GB2A683J	CHIP R 68K J 1/10W		R439			RK73HB1J103J	CHIP R 10K J 1/16W	
R266			RK73GB2A103J	CHIP R 10K J 1/10W		R440			RK73HB1J473J	CHIP R 47K J 1/16W	
R268			RK73GH2A103D	CHIP R 10K D 1/10W		R441-452			RK73HB1J101J	CHIP R 100 J 1/16W	
R273			RK73GH2A333D	CHIP R 33K D 1/10W		R453,454			RK73HB1J473J	CHIP R 47K J 1/16W	
R274,275			RK73GB2A000J	CHIP R 0.0 J 1/10W		R455-457			RK73HB1J101J	CHIP R 100 J 1/16W	
R276			RK73GH2A391D	CHIP R 390 D 1/10W		R458			RK73HB1J472J	CHIP R 4.7K J 1/16W	
R277			RK73GB2A683J	CHIP R 68K J 1/10W		R459			RK73HB1J101J	CHIP R 100 J 1/16W	
R278			RK73GH2A562D	CHIP R 5.6K D 1/10W		R460			RK73HB1J473J	CHIP R 47K J 1/16W	
R280			RK73GH2A333D	CHIP R 33K D 1/10W		R461			RK73HB1J104J	CHIP R 100K J 1/16W	
R281			RK73GB2A000J	CHIP R 0.0 J 1/10W		R462-464			RK73HB1J101J	CHIP R 100 J 1/16W	
R283,284			RK73GB2A000J	CHIP R 0.0 J 1/10W		R465			RK73HB1J472J	CHIP R 4.7K J 1/16W	
R285			RK73GB2A220J	CHIP R 22 J 1/10W		R466			RK73HB1J104J	CHIP R 100K J 1/16W	
R286,287			RK73GB2A000J	CHIP R 0.0 J 1/10W		R467,468			RK73HB1J473J	CHIP R 47K J 1/16W	
R288			RK73EB2E100J	CHIP R 10 J 1/4W		R469			RK73HB1J103J	CHIP R 10K J 1/16W	
R289,290			RK73GB2A220J	CHIP R 22 J 1/10W		R470-473			RK73HB1J101J	CHIP R 100 J 1/16W	
R291			RK73GB2A000J	CHIP R 0.0 J 1/10W		R474			RK73GB2A100J	CHIP R 10 J 1/10W	
R293			RK73EB2E100J	CHIP R 10 J 1/4W		R475			RK73HB1J101J	CHIP R 100 J 1/16W	
R294			RK73GB2A000J	CHIP R 0.0 J 1/10W		R476			RK73HB1J103J	CHIP R 10K J 1/16W	
R295			RK73GB2A220J	CHIP R 22 J 1/10W		R477			RK73HB1J152J	CHIP R 1.5K J 1/16W	
R296,297			R92-5160-05	CHIP R 0.047 J 1/4W		R478-480			RK73HB1J101J	CHIP R 100 J 1/16W	
R298,299			RK73EB2E100J	CHIP R 10 J 1/4W		R481			RK73HB1J104J	CHIP R 100K J 1/16W	
R300			R92-5158-05	CHIP R 0.022 J 1/4W		R482			RK73HB1J000J	CHIP R 0.0 J 1/16W	

E1 : DDX8022BT E2 : DDX8022BTY E3 : DNX8220BT (Europe)
 K : DDX812 K1 : DNX8120 (North America)
 X1 : DDX8032BT (Australia) R1 : DDX8032BT (Latin America)
 M1 : DDX8032BT M3 : DDX8032BTM (Other Areas)

△ Indicates safety critical components.

PARTS LIST

VIDEO CONTROL UNIT (X15-115x-xx)

Ref. No.	A d d	N e w	Parts No.	Description	Desti- nation	Ref. No.	A d d	N e w	Parts No.	Description	Desti- nation
R483-485			RK73HB1J101J	CHIP R 100 J 1/16W		R600-602			RK73GH2A102D	CHIP R 1.0K D 1/10W	
R486			RK73HB1J000J	CHIP R 0.0 J 1/16W		R603			RK73GB2A105J	CHIP R 1.0M J 1/10W	
R490			RK73HB1J104J	CHIP R 100K J 1/16W		R604			RK73GB2A000J	CHIP R 0.0 J 1/10W	
R491,492			RK73HB1J101J	CHIP R 100 J 1/16W		R605			RK73GB2A105J	CHIP R 1.0M J 1/10W	
R496			RK73HB1J104J	CHIP R 100K J 1/16W		R606			RK73GH2A102D	CHIP R 1.0K D 1/10W	
R497,498			RK73HB1J473J	CHIP R 47K J 1/16W		R607-609			RK73GB2A105J	CHIP R 1.0M J 1/10W	
R499			RK73HB1J103J	CHIP R 10K J 1/16W		R610,611			RK73GB2A000J	CHIP R 0.0 J 1/10W	
R500,501			RK73GB2A104J	CHIP R 100K J 1/10W		R612			RK73GH2A102D	CHIP R 1.0K D 1/10W	
R502			RK73GB2A101J	CHIP R 100 J 1/10W		R613			RK73GB2A101J	CHIP R 100 J 1/10W	
R503			RK73GB2A100J	CHIP R 10 J 1/10W	K1E3	R614			RK73GB2A751J	CHIP R 750 J 1/10W	
R505			RK73GB2A104J	CHIP R 100K J 1/10W	K1E3	R615			RK73GB2A105J	CHIP R 1.0M J 1/10W	
R506			RK73GB2A101J	CHIP R 100 J 1/10W	K1E3	R616			RK73GH2A102D	CHIP R 1.0K D 1/10W	
R507			RK73GB2A100J	CHIP R 10 J 1/10W		R617			RK73GB2A102J	CHIP R 1.0K J 1/10W	
R508,509			RK73GB2A223J	CHIP R 22K J 1/10W		R618			RK73GB2A101J	CHIP R 100 J 1/10W	
R511			RK73GB2A104J	CHIP R 100K J 1/10W		R619			RK73GB2A751J	CHIP R 750 J 1/10W	
R515			RK73GB2A104J	CHIP R 100K J 1/10W		R620			RK73GB2A105J	CHIP R 1.0M J 1/10W	
R516,517			RK73GB2A223J	CHIP R 22K J 1/10W		R622,623			RK73GB2A105J	CHIP R 1.0M J 1/10W	
R518			RK73GB2A131J	CHIP R 130 J 1/10W		R626			RK73GB2A102J	CHIP R 1.0K J 1/10W	
R519			RK73GB2A222J	CHIP R 2.2K J 1/10W		R627-629			RK73GB2A105J	CHIP R 1.0M J 1/10W	
R520			RK73GB2A000J	CHIP R 0.0 J 1/10W		R630,631			RK73GB2A101J	CHIP R 100 J 1/10W	
R521			RK73GB2A101J	CHIP R 100 J 1/10W		R632			RK73GB2A751J	CHIP R 750 J 1/10W	
R522			RK73GB2A473J	CHIP R 47K J 1/10W		R633,634			RK73GB2A101J	CHIP R 100 J 1/10W	
R523			RK73GB2A104J	CHIP R 100K J 1/10W	K1E3	R635			RK73GB2A102J	CHIP R 1.0K J 1/10W	
R524,525			RK73GB2A101J	CHIP R 100 J 1/10W		R636,637			RK73GB2A4R7J	CHIP R 4.7 J 1/10W	
R526			RK73GB2A473J	CHIP R 47K J 1/10W		R638			RK73GB2A000J	CHIP R 0.0 J 1/10W	K1E3
R527			RK73EB2E101J	CHIP R 100 J 1/4W		R639			RK73GB2A101J	CHIP R 100 J 1/10W	
R528			RK73FB2B101J	CHIP R 100 J 1/8W		R640			RK73GB2A000J	CHIP R 0.0 J 1/10W	
R529			RK73GB2A750J	CHIP R 75 J 1/10W		R641-643			RK73GB2A272J	CHIP R 2.7K J 1/10W	
R530-532			RK73EB2E100J	CHIP R 10 J 1/4W		R645			RK73GB2A202J	CHIP R 2.0K J 1/10W	KM1M3 R1
R533			RK73GB2A223J	CHIP R 22K J 1/10W		R645			RK73GB2A202J	CHIP R 2.0K J 1/10W	X1E1E2
R534			RK73GB2A473J	CHIP R 47K J 1/10W		R646			RK73GB2A473J	CHIP R 47K J 1/10W	
R535			RK73GB2A101J	CHIP R 100 J 1/10W		R647,648			RK73GB2A101J	CHIP R 100 J 1/10W	
R536			RK73EB2E100J	CHIP R 10 J 1/4W		R649			RK73GB2A473J	CHIP R 47K J 1/10W	
R537			RK73GB2A223J	CHIP R 22K J 1/10W		R650			RK73GB2A101J	CHIP R 100 J 1/10W	
R538			RK73GB2A473J	CHIP R 47K J 1/10W		R651,652			RK73GB2A000J	CHIP R 0.0 J 1/10W	
R539			RK73EB2E101J	CHIP R 100 J 1/4W		R653			RK73GB2A473J	CHIP R 47K J 1/10W	
R540			RK73GB2A101J	CHIP R 100 J 1/10W		R654,655			RK73GB2A103J	CHIP R 10K J 1/10W	
R541,542			RK73GB2A473J	CHIP R 47K J 1/10W		R656			RK73GB2A562J	CHIP R 5.6K J 1/10W	KM1M3 R1
R544,545			RK73GB2A101J	CHIP R 100 J 1/10W		R656			RK73GB2A562J	CHIP R 5.6K J 1/10W	
R546			RK73HB1J101J	CHIP R 100 J 1/16W		R656			RK73GB2A562J	CHIP R 5.6K J 1/10W	X1E1E2
R547			RK73EB2E101J	CHIP R 100 J 1/4W		R657,658			RK73GB2A101J	CHIP R 100 J 1/10W	KM1M3 R1
R548,549			RK73GB2A101J	CHIP R 100 J 1/10W		R657,658			RK73GB2A101J	CHIP R 100 J 1/10W	X1E1E2
R551,552			RK73HB1J000J	CHIP R 0.0 J 1/16W		R658			RK73GB2A101J	CHIP R 100 J 1/10W	K1E3
R553			RK73HB1J472J	CHIP R 4.7K J 1/16W		R660			RK73GB2A103J	CHIP R 10K J 1/10W	
R554			RK73HB1J103J	CHIP R 10K J 1/16W		R661-663			RK73GB2A000J	CHIP R 0.0 J 1/10W	
R555			RK73HB1J473J	CHIP R 47K J 1/16W		R664			RK73GH2A151D	CHIP R 150 D 1/10W	
R556,557			RK73GB2A473J	CHIP R 47K J 1/10W		R665			RK73GB2A101J	CHIP R 100 J 1/10W	
R558			RK73GB2A103J	CHIP R 10K J 1/10W		R666			RK73GB2A000J	CHIP R 0.0 J 1/10W	
R559			RK73GB2A223J	CHIP R 22K J 1/10W		R669			RK73HB1J561J	CHIP R 560 J 1/16W	
R560			RK73GB2A181J	CHIP R 180 J 1/10W		R670			RK73HB1J102J	CHIP R 1.0K J 1/16W	
R561,562			RK73GB2A473J	CHIP R 47K J 1/10W		R676			RK73GB2A102J	CHIP R 1.0K J 1/10W	
R564,565			RK73HB1J101J	CHIP R 100 J 1/16W		R677	*		RK73GH2A820D	CHIP R 82 D 1/10W	
R566-570			RK73HB1J473J	CHIP R 47K J 1/16W		R678			RK73GB2A103J	CHIP R 10K J 1/10W	
R571,572			RK73GB2A202J	CHIP R 2.0K J 1/10W							
R573			RK73GB2A911J	CHIP R 910 J 1/10W							

E1 : DDX8022BT E2 : DDX8022BTY E3 : DNX8220BT (Europe)
K : DDX812 K1 : DNX8120 (North America)
X1 : DDX8032BT (Australia) R1 : DDX8032BT (Latin America)
M1 : DDX8032BT M3 : DDX8032BTM (Other Areas)

△Indicates safety critical components.

PARTS LIST

VIDEO CONTROL UNIT (X15-115x-xx)

Ref. No.	Add	New	Parts No.	Description	Destination	Ref. No.	Add	New	Parts No.	Description	Destination
R681			RK73GB2A000J	CHIP R 0.0 J 1/10W		IC505			TC4052BFT	MOS-IC	
R689			RK73GB2A101J	CHIP R 100 J 1/10W		IC600,601			NJM2286V-ZB	ANALOGUE IC	
R702			RK73GB2A000J	CHIP R 0.0 J 1/10W		IC604		*	74AHC1GU04GW	MOS-IC	KM1M3
R703,704			RK73GB2A100J	CHIP R 10 J 1/10W		IC604		*	74AHC1GU04GW	MOS-IC	R1
R705			RK73EB2E000J	CHIP R 0.0 J 1/4W		IC604		*	74AHC1GU04GW	MOS-IC	X1E1E2
R706-708			RK73GB2A101J	CHIP R 100 J 1/10W		IC606			TC7WH157FU-F	MOS-IC	
R710			RK73GB2A331J	CHIP R 330 J 1/10W		IC608			74LVC3G34DP	MOS-IC	
R711			RK73GB2A100J	CHIP R 10 J 1/10W		IC609			AN15885A-VF	ANALOGUE IC	
R712			RK73GB2A101J	CHIP R 100 J 1/10W		IC612		*	74AHC1GU04GW	MOS-IC	KM1M3
R713			RK73GB2A221J	CHIP R 220 J 1/10W		IC612		*	74AHC1GU04GW	MOS-IC	R1
R714-725			RK73GB2A101J	CHIP R 100 J 1/10W		IC612		*	74AHC1GU04GW	MOS-IC	X1E1E2
R726			RK73GB2A000J	CHIP R 0.0 J 1/10W		IC700			LB1836M-TLM-E	ANALOGUE IC	
R727,728			RK73GB2A100J	CHIP R 10 J 1/10W		Q1			DTC144EUA	DIGITAL TRANSISTOR	
R729			RK73GB2A101J	CHIP R 100 J 1/10W		Q2			2SA1576A	TRANSISTOR	
R839-842			RK73GB2A101J	CHIP R 100 J 1/10W		Q3			DTC114YUA	DIGITAL TRANSISTOR	
R853			RK73GB2A471J	CHIP R 470 J 1/10W		Q4			2SC4081	TRANSISTOR	
R854			RK73GB2A473J	CHIP R 47K J 1/10W		Q5			2SA1576A	TRANSISTOR	
R856			RK73GB2A473J	CHIP R 47K J 1/10W		Q11			DTC114YUA	DIGITAL TRANSISTOR	
R858			RK73GB2A471J	CHIP R 470 J 1/10W		Q12			DTA114TUA	DIGITAL TRANSISTOR	
R859			RK73GB2A101J	CHIP R 100 J 1/10W		Q13			2SA1576A	TRANSISTOR	
R860,861			RK73GB2A100J	CHIP R 10 J 1/10W		Q14			2SC4081	TRANSISTOR	
R862			RK73GB2A101J	CHIP R 100 J 1/10W		Q15			TPC8110-F	FET	
R863			RK73GB2A470J	CHIP R 47 J 1/10W		Q16			2SA1576A	TRANSISTOR	
R909			RK73FB2B000J	CHIP R 0.0 J 1/8W		Q17			2SC4081	TRANSISTOR	
R999			RK73GB2A000J	CHIP R 0.0 J 1/10W	K1E3	Q18			DTA114EUA	DIGITAL TRANSISTOR	
D2			1SR154-400	DIODE		Q19,20			2SC4617	TRANSISTOR	
D3			EP05Q04	DIODE		Q21			2SB1184	TRANSISTOR	
D200-203			1SS357-F	DIODE		Q22			2SC4617	TRANSISTOR	
D501			DAP202U	DIODE		Q23			2SA1774	TRANSISTOR	
D504			AVRM16180M6AB	VARISTOR		Q28			2SB1184	TRANSISTOR	
D505,506			AVRM16120M6AB	VARISTOR		Q29			2SC4081	TRANSISTOR	
D507			AVRM16180M6AB	VARISTOR		Q31			2SC4081	TRANSISTOR	
D511			AVRM16120M6AB	VARISTOR		Q32			2SA1576A	TRANSISTOR	
D512,513			AVRM16270MAAB	VARISTOR		Q35			2SB1184	TRANSISTOR	
D700,701			AVRM16180M6AB	VARISTOR		Q37			2SC4081	TRANSISTOR	
D702-710			AVRM16120M6AB	VARISTOR		Q38			2SA1576A	TRANSISTOR	
D850			DAP202U	DIODE		Q39			2SC4081	TRANSISTOR	
D851			02DZ9.1F-Z	ZENER DIODE		Q44			2SB1689	TRANSISTOR	
IC3			SI-3050LUS	ANALOGUE IC		Q45			DTC114YUA	DIGITAL TRANSISTOR	
IC4			R1114N331B-TR	ANALOGUE IC (3.3V LF)		Q46			2SC4081	TRANSISTOR	
IC8			XC6219B332PR	ANALOGUE IC		Q47			2SB1184	TRANSISTOR	
IC200,201			LTC3728LEGN	ANALOGUE IC		Q48			2SB1689	TRANSISTOR	
IC400			W05-1260-00	ROM IC	KK1	Q49			DTC114YUA	DIGITAL TRANSISTOR	
IC400			W05-1261-00	ROM IC	E1E2E3	Q200			DTC144EUA	DIGITAL TRANSISTOR	
IC400			W05-1261-00	ROM IC	M3	Q201			DTC114YUA	DIGITAL TRANSISTOR	
IC400			W05-1262-00	ROM IC	M1	Q202-204			DTC144EUA	DIGITAL TRANSISTOR	
IC400			W05-1263-00	ROM IC	R1X1	Q205-208			HAT2218R-E	DUAL FET	
IC402			S-80835CNNB-G	MOS-IC		Q400			2SA1576A	TRANSISTOR	
IC404		*	30878MJBA24GP	MICROCONTROLLER IC		Q402			DTC144EUA	DIGITAL TRANSISTOR	
IC405			74AHC1G08GW	MOS-IC		Q403			DTA114YUA	DIGITAL TRANSISTOR	
IC500			NJM4565V-ZB	ANALOGUE IC		Q404			DTC114YUA	DIGITAL TRANSISTOR	
IC501			NJM2505AF-ZB	ANALOGUE IC		Q500			DTA114YUA	DIGITAL TRANSISTOR	K1E3
IC502			TC4052BFT	MOS-IC		Q501			2SA1576A	TRANSISTOR	K1E3
IC503		*	74AHC2G126DP	MOS-IC		Q502-505			DTC114YUA	DIGITAL TRANSISTOR	K1E3
IC504			NJM2794RB2ZB	ANALOGUE IC		Q502,503			DTC114YUA	DIGITAL TRANSISTOR	KM1M3

E1 : DDX8022BT E2 : DDX8022BTY E3 : DNX8220BT (Europe)
K : DDX812 K1 : DNX8120 (North America)
X1 : DDX8032BT (Australia) R1 : DDX8032BT (Latin America)
M1 : DDX8032BT M3 : DDX8032BTM (Other Areas)

△ Indicates safety critical components.

PARTS LIST

VIDEO CONTROL UNIT (X15-115x-xx)

Ref. No.	Add	New	Parts No.	Description	Destination
Q502,503			DTC114YUA	DIGITAL TRANSISTOR	R1
Q502,503			DTC114YUA	DIGITAL TRANSISTOR	X1E1E2
Q505			DTC114YUA	DIGITAL TRANSISTOR	KM1M3
Q505			DTC114YUA	DIGITAL TRANSISTOR	R1
Q505			DTC114YUA	DIGITAL TRANSISTOR	X1E1E2
Q506			2SC4081	TRANSISTOR	
Q507,508			DTC114YUA	DIGITAL TRANSISTOR	
Q509			2SA1576A	TRANSISTOR	
Q510			2SC4081	TRANSISTOR	
Q600-602			2SA1576A	TRANSISTOR	
Q603-605			2SC4081	TRANSISTOR	
Q606			2SA1576A	TRANSISTOR	
Q700			2SA1576A	TRANSISTOR	
Q850,851			DTC643TU	DIGITAL TRANSISTOR	
Q852			DTA114YUA	DIGITAL TRANSISTOR	
SWITCH UNIT (X16-6280-10)					
D1-21		*	B30-1795-05	LED (1608 BLUE)	
D22			B30-1566-05	LED (1608 RED)	
C1,2			CK73GB1A105K	CHIP C 1.0UF K	
FPC2	3E	*	J86-0050-15	FPC (LEAD FREE)	
S1		*	S70-0948-05	TACT SWITCH	
S2-8		*	S70-0950-05	TACT SWITCH	
D51-73			AVRM16120M6AB	VARISTOR	
IC1			GP1US301XP	ANALOGUE IC	
SUB-CIRCUIT UNIT (X16-6360-10)					
C1			CK73GB1A105K	CHIP C 1.0UF K	K1E3
CN1		*	E41-2451-05	FLAT CABLE CONNECTOR	K1E3
J1			E68-0025-05	JACK (SD CARD SLOT)	K1E3
PROCESSOR UNIT (X17-2030-10)					
C1			CK73HB1H102K	CHIP C 1000PF K	
C2			CE32CL1C100M	CHIP EL 10UF 16WV	
C3-5			CK73EB1C106K	CHIP C 10UF K	
C6-8			CE32BJ1C100M	CHIP EL 10UF 16WV	
C9			CK73HB1E103K	CHIP C 0.010UF K	
C10			CC73HCH1H681J	CHIP C 680PF J	
C11-13			CC73HCH1H181J	CHIP C 180PF J	
C14			CK73HB1H332K	CHIP C 3300PF K	
C15-17			CC73HCH1H331J	CHIP C 330PF J	
C18,19			CK73HB1E103K	CHIP C 0.010UF K	
C20,21			CE32BJ1C220M	CHIP EL 22UF 16WV	
C22,23			CC73HCH1H181J	CHIP C 180PF J	
C24,25			CC73HCH1H331J	CHIP C 330PF J	
C26,27			CK73HB1E103K	CHIP C 0.010UF K	
C30,31			CE32BJ1C100M	CHIP EL 10UF 16WV	
C32,33			CK73EB1C106K	CHIP C 10UF K	
C34			CE32CL1C100M	CHIP EL 10UF 16WV	
C35			CK73EB1C106K	CHIP C 10UF K	
C36			CE32CL1C100M	CHIP EL 10UF 16WV	
C37			CK73HB1A104K	CHIP C 0.10UF K	
C38			CK73GB1H104K	CHIP C 0.10UF K	
C39-41			CK73HB1A104K	CHIP C 0.10UF K	

Ref. No.	Add	New	Parts No.	Description	Destination
C42			CE32BJ1C100M	CHIP EL 10UF 16WV	
C43			CK73HB1A104K	CHIP C 0.10UF K	
C44			CE32CL1C100M	CHIP EL 10UF 16WV	
C45			CE32BJ1C100M	CHIP EL 10UF 16WV	
C46			CK73HB1A104K	CHIP C 0.10UF K	
C47,48			CK73FB0J226M	CHIP C 22UF M	
C49,50			CC73HCH1H150J	CHIP C 15PF J	
C51-54			CK73HB1A104K	CHIP C 0.10UF K	
C55			CK73FB0J106K	CHIP C 10UF K	
C56-58			CK73HB1A104K	CHIP C 0.10UF K	
C59			CK73HB1H102K	CHIP C 1000PF K	
C60-63			CK73HB1A104K	CHIP C 0.10UF K	
C64			CK73GB1A334K	CHIP C 0.33UF K	
C65			CE32BJ1C100M	CHIP EL 10UF 16WV	
C66			CE32AU1A560M	CHIP EL 56UF 10WV	
C68,69			CK73HB1H102K	CHIP C 1000PF K	
C70			CC73HCH1H221J	CHIP C 220PF J	
C71			CK73HB1A104K	CHIP C 0.10UF K	
C75			CC73HCH1H471J	CHIP C 470PF J	
C76,77			CK73HB1A104K	CHIP C 0.10UF K	
C78,79			CK73HB1H102K	CHIP C 1000PF K	
C80			CK73GB1A105K	CHIP C 1.0UF K	
C82			CK73GB1H102K	CHIP C 1000PF K	
CN1		*	E41-2986-05	FLAT CABLE CONNECTOR	
L1			L41-1005-33	SMALL FIXED INDUCTOR (10U)	
X1			L77-2908-05	CRYSTAL RESONATOR (12.000MHZ)	
R2			RK73GB2A4R7J	CHIP R 4.7 J 1/10W	
R3,4			RK73HB1J562J	CHIP R 5.6K J 1/16W	
R5			RK73HB1J153J	CHIP R 15K J 1/16W	
R6			RK73HB1J123J	CHIP R 12K J 1/16W	
R7			RK73HB1J562J	CHIP R 5.6K J 1/16W	
R8			RK73HB1J123J	CHIP R 12K J 1/16W	
R9,10			RK73HB1J103J	CHIP R 10K J 1/16W	
R11			RK73HB1J153J	CHIP R 15K J 1/16W	
R12			RK73HB1J123J	CHIP R 12K J 1/16W	
R13,14			RK73HB1J133J	CHIP R 13K J 1/16W	
R15,16			RK73HB1J103J	CHIP R 10K J 1/16W	
R17			RK73HB1J133J	CHIP R 13K J 1/16W	
R18,19			RK73HB1J332J	CHIP R 3.3K J 1/16W	
R20			RK73HB1J103J	CHIP R 10K J 1/16W	
R21,22			RK73HB1J332J	CHIP R 3.3K J 1/16W	
R23,24			RK73HB1J562J	CHIP R 5.6K J 1/16W	
R25,26			RK73HB1J123J	CHIP R 12K J 1/16W	
R27,28			RK73HB1J133J	CHIP R 13K J 1/16W	
R40			RK73GB2A4R7J	CHIP R 4.7 J 1/10W	
R41			RK73HB1J470J	CHIP R 47 J 1/16W	
R42			RK73HB1J472J	CHIP R 4.7K J 1/16W	
R43-45			RK73HB1J470J	CHIP R 47 J 1/16W	
R49,50			RK73HB1J470J	CHIP R 47 J 1/16W	
R52			RK73HB1J470J	CHIP R 47 J 1/16W	
R53			RK73HB1J000J	CHIP R 0.0 J 1/16W	
R54-56			RK73HB1J470J	CHIP R 47 J 1/16W	
R57			RK73GB2A472J	CHIP R 4.7K J 1/10W	

E1 : DDX8022BT E2 : DDX8022BTY E3 : DNX8220BT (Europe)
K : DDX812 K1 : DNX8120 (North America)
X1 : DDX8032BT (Australia) R1 : DDX8032BT (Latin America)
M1 : DDX8032BT M3 : DDX8032BTM (Other Areas)

△ Indicates safety critical components.

PARTS LIST

PROCESSOR UNIT (X17-2030-10)

Ref. No.	Add	New	Parts No.	Description	Destination
R59			RK73GB2A472J	CHIP R 4.7K J 1/10W	
R61-64			RK73HB1J470J	CHIP R 47 J 1/16W	
R66-72			RK73HB1J470J	CHIP R 47 J 1/16W	
R73			RK73GB2A4R7J	CHIP R 4.7 J 1/10W	
R74			RK73HB1J104J	CHIP R 100K J 1/16W	
R75			RK73HB1J102J	CHIP R 1.0K J 1/16W	
R76			RK73HB1J471J	CHIP R 470 J 1/16W	
R78-80			RK73HB1J100J	CHIP R 10 J 1/16W	
R81-85			RK73HB1J1R0J	CHIP R 1.0 J 1/16W	
R86			RK73HB1J4R7J	CHIP R 4.7 J 1/16W	
R87			RK73HB1J100J	CHIP R 10 J 1/16W	
R88,89			RK73HB1J470J	CHIP R 47 J 1/16W	
R90,91			RK73GB2A000J	CHIP R 0.0 J 1/10W	
D1			CRS04	DIODE	
IC1-4			NJM4580V-ZB	ANALOGUE IC	
IC5			NJM2123V-ZB	ANALOGUE IC	
IC6		*	WM8580AGEFTRV	MOS-IC	
IC7		*	DSPC56371AF17	MOS-IC	
IC8		*	BA033CC0FP	ANALOGUE IC	
IC10			E-LD1117DTC	ANALOGUE IC	

CONTROL CIRCUIT UNIT (X29-4490-10)

C1,2			CK73GB1H103K	CHIP C 0.010UF K	
C7-9			CK73FB1C105K	CHIP C 1.0UF K	
C11			CK73FB1C105K	CHIP C 1.0UF K	
C14			CK73FB1C106K	CHIP C 10UF K	
C15			CK73FB1C105K	CHIP C 1.0UF K	
C16			CE32BJ1C100M	CHIP EL 10UF 16WV	
C17			CK73GB1H102K	CHIP C 1000PF K	
C18,19			CK73GB1H104K	CHIP C 0.10UF K	
C20			CK73GB1H102K	CHIP C 1000PF K	
C21			CE32BJ1C100M	CHIP EL 10UF 16WV	
C24			CD04AT0J331M	ELECTRO 330UF 6.3WV	
C27-29			CK73GB1H104K	CHIP C 0.10UF K	
C100-102			CK73GB1H104K	CHIP C 0.10UF K	
C103,104			CE32BJ1C100M	CHIP EL 10UF 16WV	
C105			CK73GB1H103K	CHIP C 0.010UF K	
C106			CE32BJ1C100M	CHIP EL 10UF 16WV	
C107,108			CK73GB1H102K	CHIP C 1000PF K	
C109-111			CE32BJ1C100M	CHIP EL 10UF 16WV	
C112			CK73GB1H103K	CHIP C 0.010UF K	
C113-115			CE32BJ1C100M	CHIP EL 10UF 16WV	
C116			CK73GB1H102K	CHIP C 1000PF K	
C117			CK73GB1H103K	CHIP C 0.010UF K	
C118			CK73GB1H102K	CHIP C 1000PF K	
C119-121			CE32BJ1C100M	CHIP EL 10UF 16WV	
C122			CK73GB1H103K	CHIP C 0.010UF K	
C123,124			CK73EB1C106K	CHIP C 10UF K	
C125			CK73GB1H102K	CHIP C 1000PF K	
C126			CK73EB1C106K	CHIP C 10UF K	
C127			CK73GB1H103K	CHIP C 0.010UF K	
C128			CK73GB1H102K	CHIP C 1000PF K	
C129-131			CK73EB1C106K	CHIP C 10UF K	
C132			CK73GB1H103K	CHIP C 0.010UF K	
C133			CK73EB1C106K	CHIP C 10UF K	

Ref. No.	Add	New	Parts No.	Description	Destination
C134			CD04AS1C101M	ELECTRO 100UF 16WV	
C135-137			CK73EB1E225K	CHIP C 2.2UF K	
C138			CK73EB1C106K	CHIP C 10UF K	
C139			CK73EB1E225K	CHIP C 2.2UF K	
C140			CK73GB1H223K	CHIP C 0.022UF K	
C141			CK73GB1H103K	CHIP C 0.010UF K	
C142,143			CK73EB1C106K	CHIP C 10UF K	
C200			CK73GB1H473K	CHIP C 0.047UF K	
C201			CK73EB1E105K	CHIP C 1.0UF K	
C202			CK73GB1H473K	CHIP C 0.047UF K	
C203			CK73EB1E105K	CHIP C 1.0UF K	
CN1		*	E41-2959-05	PIN ASSY	
CN100		*	E41-2964-05	PIN ASSY	
CN300			E41-2590-05	FLAT CABLE CONNECTOR	
CN302			E40-6469-05	PIN ASSY	
J200			E58-1067-05	RECTANGULAR RECEPTACLE	
WH1		*	E39-0985-15	WIRING HARNESS	
L100			L41-2205-33	SMALL FIXED INDUCTOR (22U)	
R4,5			RK73GB2A102J	CHIP R 1.0K J 1/10W	
R6			RK73GB2A000J	CHIP R 0.0 J 1/10W	
R10			RK73EB2E100J	CHIP R 10 J 1/4W	
R11			RK73FB2B000J	CHIP R 0.0 J 1/8W	
R12			RK73EB2E100J	CHIP R 10 J 1/4W	
R15			RK73EB2E100J	CHIP R 10 J 1/4W	
R16			RK73GB2A000J	CHIP R 0.0 J 1/10W	
R18			RK73GB2A000J	CHIP R 0.0 J 1/10W	
R19			RK73FB2B000J	CHIP R 0.0 J 1/8W	
R20,21			RK73GB2A750J	CHIP R 75 J 1/10W	
R22			RK73GH2A750D	CHIP R 75 D 1/10W	
R24			RK73GB2A000J	CHIP R 0.0 J 1/10W	
R27			RK73GB2A000J	CHIP R 0.0 J 1/10W	
R30			RK73FB2B000J	CHIP R 0.0 J 1/8W	
R31			RK73EB2E472J	CHIP R 4.7K J 1/4W	
R33			RK73GB2A562J	CHIP R 5.6K J 1/10W	
R34			RK73EB2E242J	CHIP R 2.4K J 1/4W	
R35			RK73GB2A562J	CHIP R 5.6K J 1/10W	
R36			RK73GB2A000J	CHIP R 0.0 J 1/10W	
R37			RK73EB2E472J	CHIP R 4.7K J 1/4W	
R40			RK73EB2E100J	CHIP R 10 J 1/4W	
R41			RK73EB2E4R7J	CHIP R 4.7 J 1/4W	
R43			RK73EB2E100J	CHIP R 10 J 1/4W	
R46			RK73FB2B101J	CHIP R 100 J 1/8W	
R47			RK73GB2A471J	CHIP R 470 J 1/10W	
R48			RK73EB2E750J	CHIP R 75 J 1/4W	
R49			RK73GB2A223J	CHIP R 22K J 1/10W	
R51			RK73GB2A223J	CHIP R 22K J 1/10W	
R53			RK73FB2B101J	CHIP R 100 J 1/8W	
R54			RK73GB2A471J	CHIP R 470 J 1/10W	
R57			RK73GB2A000J	CHIP R 0.0 J 1/10W	
R58,59			RK73GB2A223J	CHIP R 22K J 1/10W	
R100,101			RK73FB2B103J	CHIP R 10K J 1/8W	
R103			RK73GB2A471J	CHIP R 470 J 1/10W	
R104			RK73EB2E820J	CHIP R 82 J 1/4W	

E1 : DDX8022BT E2 : DDX8022BTY E3 : DNX8220BT (Europe)
K : DDX812 K1 : DNX8120 (North America)
X1 : DDX8032BT (Australia) R1 : DDX8032BT (Latin America)
M1 : DDX8032BT M3 : DDX8032BTM (Other Areas)

△ Indicates safety critical components.

PARTS LIST

CONTROL CIRCUIT UNIT (X29-4490-10)

Ref. No.	A d d	N e w	Parts No.	Description	Desti- nation
R105			RK73GB2A104J	CHIP R 100K J 1/10W	
R106			RK73GB2A223J	CHIP R 22K J 1/10W	
R109			RK73GB2A223J	CHIP R 22K J 1/10W	
R111			RK73GB2A104J	CHIP R 100K J 1/10W	
R113			RK73GB2A471J	CHIP R 470 J 1/10W	
R114			RK73EB2E820J	CHIP R 82 J 1/4W	
R115,116			RK73FB2B103J	CHIP R 10K J 1/8W	
R120			RK73GB2A471J	CHIP R 470 J 1/10W	
R121			RK73EB2E820J	CHIP R 82 J 1/4W	
R122,123			RK73FB2B103J	CHIP R 10K J 1/8W	
R124			RK73GB2A104J	CHIP R 100K J 1/10W	
R125			RK73GB2A223J	CHIP R 22K J 1/10W	
R127,128			RK73GB2A000J	CHIP R 0.0 J 1/10W	
R129			RK73GB2A223J	CHIP R 22K J 1/10W	
R131			RK73GB2A104J	CHIP R 100K J 1/10W	
R133			RK73GB2A471J	CHIP R 470 J 1/10W	
R135			RK73EB2E820J	CHIP R 82 J 1/4W	
R136,137			RK73FB2B103J	CHIP R 10K J 1/8W	
R139			RK73GB2A471J	CHIP R 470 J 1/10W	
R140			RK73GB2A104J	CHIP R 100K J 1/10W	
R141			RK73GB2A223J	CHIP R 22K J 1/10W	
R143,144			RK73FB2B103J	CHIP R 10K J 1/8W	
R145			RK73EB2E820J	CHIP R 82 J 1/4W	
R146			RK73GB2A223J	CHIP R 22K J 1/10W	
R148			RK73GB2A104J	CHIP R 100K J 1/10W	
R149			RK73GB2A471J	CHIP R 470 J 1/10W	
R151			RK73EB2E820J	CHIP R 82 J 1/4W	
R152,153			RK73FB2B103J	CHIP R 10K J 1/8W	
R154			RK73FB2B152J	CHIP R 1.5K J 1/8W	
R155			RK73GB2A752J	CHIP R 7.5K J 1/10W	
R156			RK73GB2A750J	CHIP R 75 J 1/10W	
R157			RK73GB2A272J	CHIP R 2.7K J 1/10W	
R158			RK73GB2A470J	CHIP R 47 J 1/10W	
R159			RK73GB2A752J	CHIP R 7.5K J 1/10W	
R160			RK73GB2A274J	CHIP R 270K J 1/10W	
R161			RK73GB2A563J	CHIP R 56K J 1/10W	
R162			RK73GB2A470J	CHIP R 47 J 1/10W	
R163			RK73GB2A103J	CHIP R 10K J 1/10W	
R164,165			RK73GB2A913J	CHIP R 91K J 1/10W	
R200			RK73GB2A472J	CHIP R 4.7K J 1/10W	
R201			RK73GB2A473J	CHIP R 47K J 1/10W	
R202			RK73EB2E152J	CHIP R 1.5K J 1/4W	
R203			RK73GB2A473J	CHIP R 47K J 1/10W	
R204			RK73GB2A621J	CHIP R 620 J 1/10W	
R205			RK73GB2A242J	CHIP R 2.4K J 1/10W	
R206,207			RK73PB2H2R0J	CHIP R 2.0 J 1/2W	
R208			RK73GB2A124J	CHIP R 120K J 1/10W	
R209			RK73GB2A103J	CHIP R 10K J 1/10W	
R210			RK73GB2A473J	CHIP R 47K J 1/10W	
R211			RK73FB2B472J	CHIP R 4.7K J 1/8W	
R212			RK73GB2A472J	CHIP R 4.7K J 1/10W	
R213			RK73GB2A473J	CHIP R 47K J 1/10W	
R214			RK73EB2E152J	CHIP R 1.5K J 1/4W	
R215			RK73GB2A473J	CHIP R 47K J 1/10W	
R216			RK73GB2A621J	CHIP R 620 J 1/10W	

Ref. No.	A d d	N e w	Parts No.	Description	Desti- nation
R217			RK73GB2A242J	CHIP R 2.4K J 1/10W	
R218,219			RK73PB2H2R0J	CHIP R 2.0 J 1/2W	
R220			RK73GB2A124J	CHIP R 120K J 1/10W	
R221			RK73GB2A103J	CHIP R 10K J 1/10W	
R222			RK73GB2A473J	CHIP R 47K J 1/10W	
R223			RK73FB2B472J	CHIP R 4.7K J 1/8W	
R300			RK73GB2A105J	CHIP R 1.0M J 1/10W	
D1-3			STZ6.2N	ZENER DIODE	
D4			UDZS8.2B	ZENER DIODE	
D5			UDZS6.2B	ZENER DIODE	
D6			UDZS8.2B	ZENER DIODE	
D7			UDZS6.8B	ZENER DIODE	
D8			UDZS6.2B	ZENER DIODE	
D9			UDZS6.8B	ZENER DIODE	
D10-13			AVRM16270MAAB	VARISTOR	
D14,15			AVRM16180M6AB	VARISTOR	
D16,17			DAP202U	DIODE	
D18			STZ6.2N	ZENER DIODE	
D100-105			AVRM16180M6AB	VARISTOR	
D106-110			DAP202U	DIODE	
D111			UDZS11B	ZENER DIODE	
D112			UDZS5.6B	ZENER DIODE	
D200-203			1SR154-400	DIODE	
IC100-102			NJM4565V-ZB	ANALOGUE IC	
IC103			ICL7660SIBAZ	ANALOGUE IC	
Q4			DTC643TU	DIGITAL TRANSISTOR	
Q5			DTA144EUA	DIGITAL TRANSISTOR	
Q6			DTC643TU	DIGITAL TRANSISTOR	
Q100			DTC643TU	DIGITAL TRANSISTOR	
Q101			DTA144EUA	DIGITAL TRANSISTOR	
Q102-105			DTC643TU	DIGITAL TRANSISTOR	
Q106			DTA144EUA	DIGITAL TRANSISTOR	
Q107			DTC643TU	DIGITAL TRANSISTOR	
Q108			UMC2N	TRANSISTOR	
Q109			2SB1443	TRANSISTOR	
Q110			2SC4081	TRANSISTOR	
Q111			2SA1576A	TRANSISTOR	
Q112			2SC4081	TRANSISTOR	
Q113			2SA1576A	TRANSISTOR	
Q114			2SC4081	TRANSISTOR	
Q115			2SA1576A	TRANSISTOR	
Q116			2SC4081	TRANSISTOR	
Q200			DTC114TUA	DIGITAL TRANSISTOR	
Q201			2SC4081	TRANSISTOR	
Q202			2SB1443	TRANSISTOR	
Q203			2SA1576A	TRANSISTOR	
Q204,205			2SC4081	TRANSISTOR	
Q206			DTC114TUA	DIGITAL TRANSISTOR	
Q207			2SC4081	TRANSISTOR	
Q208			2SB1443	TRANSISTOR	
Q209			2SA1576A	TRANSISTOR	
Q210,211			2SC4081	TRANSISTOR	
ELECTRIC UNIT (X34-584x-xx)					
C1			CE32BJ1H3R3M	CHIP EL 3.3UF 50WV	

E1 : DDX8022BT E2 : DDX8022BTY E3 : DNX8220BT (Europe)
K : DDX812 K1 : DNX8120 (North America)
X1 : DDX8032BT (Australia) R1 : DDX8032BT (Latin America)
M1 : DDX8032BT M3 : DDX8032BTM (Other Areas)

△Indicates safety critical components.

PARTS LIST

ELECTRIC UNIT (X34-584x-xx)

Ref. No.	Add	New	Parts No.	Description	Destination	Ref. No.	Add	New	Parts No.	Description	Destination
C2			CK73FB1C105K	CHIP C 1.0UF K		C212			CK73EB1C106K	CHIP C 10UF K	
C3			CK73GB1H103K	CHIP C 0.010UF K		C213			CK73FB1A225K	CHIP C 2.2UF K	
C4			CK73FB1C105K	CHIP C 1.0UF K		C214			CK73HB1E103K	CHIP C 0.010UF K	
C5			CK73GB1H104K	CHIP C 0.10UF K		C215			CK73EB1E225K	CHIP C 2.2UF K	
C6,7			CK73FB1C105K	CHIP C 1.0UF K		C216			CK73GB1C104K	CHIP C 0.10UF K	
C8,9			CK73GB1H103K	CHIP C 0.010UF K		C217			CK73GB1A105K	CHIP C 1.0UF K	
C11			CK73GB1H103K	CHIP C 0.010UF K		C218-220			CK73GB1C104K	CHIP C 0.10UF K	
C12			C90-5666-05	ELECTRO 3900UF 25WV		C221			CK73EB1C106K	CHIP C 10UF K	
C13			CK73GB1H103K	CHIP C 0.010UF K		C222-226			CK73HB1A104K	CHIP C 0.10UF K	
C14			CK73FB1E474K	CHIP C 0.47UF K		C227			CK73EB1C106K	CHIP C 10UF K	
C16			CK73GB1H103K	CHIP C 0.010UF K		C228			CK73GB1H103K	CHIP C 0.010UF K	
C17	*		C93-1470-05	CHIP C 15000PF K	E1E2M3	C230			CK73HB1E103K	CHIP C 0.010UF K	
C17	*		C93-1470-05	CHIP C 15000PF K	E3	C231,232			CE32BJ1V100M	CHIP EL 10UF 35WV	
C100			C90-6851-05	ELECTRO 220UF 25WV		C233,234			CK73FB1C105K	CHIP C 1.0UF K	
C101			CK73GB1H104K	CHIP C 0.10UF K		C235,236			CE32BJ1H3R3M	CHIP EL 3.3UF 50WV	
C102			CK73GB1H103K	CHIP C 0.010UF K		C237			CK73FB1C105K	CHIP C 1.0UF K	
C103			CE32BJ1H100M	CHIP EL 10UF 50WV		C238-241			CK73EB1E225K	CHIP C 2.2UF K	
C104			CE32CL1V100M	CHIP EL 10UF 35WV		C242,243			CK73FB1E474K	CHIP C 0.47UF K	
C105			CD04AY1H100M	ELECTRO 10UF 50WV		C244			CE32BJ1H010M	CHIP EL 1.0UF 50WV	
C106			CK73FB1C105K	CHIP C 1.0UF K		C247			CK73GB1H103K	CHIP C 0.010UF K	
C107			CE32BJ1C101M	CHIP EL 100UF 16WV		C248			CE32BJ1V100M	CHIP EL 10UF 35WV	
C108			CD04BA1C100M	ELECTRO 10UF 16WV		C249,250			CK73FB1C105K	CHIP C 1.0UF K	
C109			CC73GCH1H102J	CHIP C 1000PF J		C263			CE32BJ1C470M	CHIP EL 47UF 16WV	
C110			CD04AY0J331M	ELECTRO 330UF 6.3WV		C264,265			C90-6779-05	ELECTRO 0.47UF 16WV	
C111			CK73FB1C105K	CHIP C 1.0UF K	E3	C266			CK73GB1A105K	CHIP C 1.0UF K	
C112			CK73GB1A105K	CHIP C 1.0UF K		C267,268			C90-6780-05	ELECTRO 1UF 16WV	
C113			CE32BJ1C101M	CHIP EL 100UF 16WV	E3	C272			CK73GB1A105K	CHIP C 1.0UF K	
C114,115			CK73GB1C104K	CHIP C 0.10UF K		C274			CK73GB1C104K	CHIP C 0.10UF K	
C116			CK73FB1H334K	CHIP C 0.33UF K		C275,276			C90-6779-05	ELECTRO 0.47UF 16WV	
C117			CC73GCH1H102J	CHIP C 1000PF J		C277			CK73GB1C104K	CHIP C 0.10UF K	
C118			CK73GB1C104K	CHIP C 0.10UF K		C279-284			CC73GCH1H070D	CHIP C 7.0PF D	
C119			CK73FB1E474K	CHIP C 0.47UF K		C300,301			CK73GB1A105K	CHIP C 1.0UF K	
C120			CE32BJ1C100M	CHIP EL 10UF 16WV		C302			CK73GB1C104K	CHIP C 0.10UF K	
C121			CD04BA1C100M	ELECTRO 10UF 16WV		C302			CK73GB1C104K	CHIP C 0.10UF K	
C122			CC73GCH1H102J	CHIP C 1000PF J		C302			CK73GB1H102K	CHIP C 1000PF K	
C123			CK73GB1H104K	CHIP C 0.10UF K	KR1K1	C335			CK73GB1H102K	CHIP C 1000PF K	
C124			CK73GB1H103K	CHIP C 0.010UF K		C338,339			CK73GB1H103K	CHIP C 0.010UF K	
C125			CK73FB1E474K	CHIP C 0.47UF K		C340			CK73GB1H102K	CHIP C 1000PF K	
C126			CD04AT1E101M	ELECTRO 100UF 25WV	KR1K1	C500,501			CC73GCH1H100D	CHIP C 10PF D	E2M1M3
C127			CK73GB1A474K	CHIP C 0.47UF K		C500,501			CC73GCH1H100D	CHIP C 10PF D	KR1E1
C128			CD04AY1H220M	ELECTRO 22UF 50WV		C500,501			CC73GCH1H100D	CHIP C 10PF D	K1E3
C129			CK73GB1A105K	CHIP C 1.0UF K		C503			CD04AS1V100M	ELECTRO 10UF 35WV	E2M1M3
C130			CK73GB1A334K	CHIP C 0.33UF K		C503			CD04AS1V100M	ELECTRO 10UF 35WV	KR1E1
C131			C90-5692-05	ELECTRO 220UF 16WV		C504			CK73GB1H103K	CHIP C 0.010UF K	K1E3
C132			CK73GB1C104K	CHIP C 0.10UF K		C504			CK73GB1H103K	CHIP C 0.010UF K	KR1E1
C133			CK73GB1H102K	CHIP C 1000PF K	E3	C504			CK73GB1H103K	CHIP C 0.010UF K	K1E3
C134			CE32BJ1C101M	CHIP EL 100UF 16WV		C505			CC73GCH1H331J	CHIP C 330PF J	E2M1M3
C135,136			CK73GB1H103K	CHIP C 0.010UF K		C505			CC73GCH1H331J	CHIP C 330PF J	KR1E1
C200-204			CK73FB1A225K	CHIP C 2.2UF K		C505			CC73GCH1H331J	CHIP C 330PF J	K1E3
C205			CK73EB1C106K	CHIP C 10UF K		C506,507			CE32BJ1C220M	CHIP EL 22UF 16WV	
C206			CE32BJ1C220M	CHIP EL 22UF 16WV		C508			CE32BJ1C100M	CHIP EL 10UF 16WV	
C207			CK73GB1C104K	CHIP C 0.10UF K		C509			CE32BJ1C220M	CHIP EL 22UF 16WV	
C208			CK73FB1A225K	CHIP C 2.2UF K		C515			CE32BJ1C100M	CHIP EL 10UF 16WV	E2M1M3
C209			CK73GB1C104K	CHIP C 0.10UF K		C515			CE32BJ1C100M	CHIP EL 10UF 16WV	KR1E1
C210,211			CK73FB1A225K	CHIP C 2.2UF K		C515			CE32BJ1C100M	CHIP EL 10UF 16WV	K1E3
						C516-519			CK73GB1H103K	CHIP C 0.010UF K	

E1 : DDX8022BT E2 : DDX8022BTY E3 : DNX8220BT (Europe)
 K : DDX812 K1 : DNX8120 (North America)
 X1 : DDX8032BT (Australia) R1 : DDX8032BT (Latin America)
 M1 : DDX8032BT M3 : DDX8032BTM (Other Areas)

△ Indicates safety critical components.

PARTS LIST

ELECTRIC UNIT (X34-584x-xx)

Ref. No.	Add	New	Parts No.	Description	Destination	Ref. No.	Add	New	Parts No.	Description	Destination
C520-522			CK73GB1H102K	CHIP C 1000PF K	E3	L701			L33-2359-05	CHOKE COIL	
C521,522			CK73GB1H102K	CHIP C 1000PF K	KM1M3	X500			L77-2002-05	CRYSTAL RESONATOR	E2M1M3
C521,522			CK73GB1H102K	CHIP C 1000PF K	R1K1	X500			L77-2002-05	CRYSTAL RESONATOR	KR1E1
C521,522			CK73GB1H102K	CHIP C 1000PF K	X1E1E2	X500			L77-2002-05	CRYSTAL RESONATOR	K1E3
C524			CK73GB1H472K	CHIP C 4700PF K		X700	*		L77-2975-05	CRYSTAL RESONATOR (FCX-03 11.05)	
C550			CK73GB1C104K	CHIP C 0.10UF K		AB	2C		N09-6727-05	TAPTITE SCREW (3X8 T)	
C551			CD04AS1C470M	ELECTRO 47UF 16WV		E	2C		N35-2604-43	BINDING HEAD MACHINE SCREW	KR1K1
C552,553			CK73GB1A474K	CHIP C 0.47UF K		R1			RK73GB2A473J	CHIP R 47K J 1/10W	
C600-602			CK73GB1A474K	CHIP C 0.47UF K		R2			RK73GB2A102J	CHIP R 1.0K J 1/10W	
C616			CK73GB1H104K	CHIP C 0.10UF K		R3			RK73EB2E272J	CHIP R 2.7K J 1/4W	
C617,618			CK73GB1C104K	CHIP C 0.10UF K		R4			RK73FB2B472J	CHIP R 4.7K J 1/8W	
C650-652			CK73GB1C105K	CHIP C 1.0UF K	KR1K1	R5			RK73GB2A223J	CHIP R 22K J 1/10W	
C653			CK73GB1H103K	CHIP C 0.010UF K	KR1K1	R6			RK73PB2H102J	CHIP R 1.0K J 1/2W	
C654,655			CC73GCH1H470J	CHIP C 47PF J	KR1K1	R7			RK73GB2A473J	CHIP R 47K J 1/10W	
C656			CK73GB1H104K	CHIP C 0.10UF K	KR1K1	R8			RK73PB2H102J	CHIP R 1.0K J 1/2W	
C701			CK73GB1H102K	CHIP C 1000PF K		R9			RK73GB2A473J	CHIP R 47K J 1/10W	
C702			CK73GB1C104K	CHIP C 0.10UF K		R10			RK73GB2A103J	CHIP R 10K J 1/10W	
C703			CK73GB1H102K	CHIP C 1000PF K		R11			RK73EB2E103J	CHIP R 10K J 1/4W	
C704			CD04BJ0J331M	ELECTRO 330UF 6.3WV		R12			RK73FB2B000J	CHIP R 0.0 J 1/8W	E1E2E3
C706,707			CK73GB1C104K	CHIP C 0.10UF K		R13			RK73GB2A104J	CHIP R 100K J 1/10W	
C708,709			CC73GCH1H100D	CHIP C 10PF D		R14			RK73EB2E272J	CHIP R 2.7K J 1/4W	
C710			CK73GB1C104K	CHIP C 0.10UF K		R15			RK73GB2A102J	CHIP R 1.0K J 1/10W	
C711			CK73GB1A105K	CHIP C 1.0UF K		R16			RK73GB2A103J	CHIP R 10K J 1/10W	KR1M1
C712			CK73GB1C104K	CHIP C 0.10UF K		R16			RK73GB2A103J	CHIP R 10K J 1/10W	X1M3K1
C850			CK73GB1H102K	CHIP C 1000PF K		R17			RK73GB2A222J	CHIP R 2.2K J 1/10W	KR1M1
C900			CK73GB1H102K	CHIP C 1000PF K		R17			RK73GB2A222J	CHIP R 2.2K J 1/10W	X1M3K1
C902-904			CK73GB1H472K	CHIP C 4700PF K		R18			RK73EB2E102J	CHIP R 1.0K J 1/4W	
CN300			E41-2771-05	PIN ASSY		R19			RK73FB2B472J	CHIP R 4.7K J 1/8W	
CN350			E41-2979-05	FLAT CABLE CONNECTOR		R20,21			RK73PB2H102J	CHIP R 1.0K J 1/2W	KR1M1
CN400			E41-2237-05	FLAT CABLE CONNECTOR		R20,21			RK73PB2H102J	CHIP R 1.0K J 1/2W	X1M3K1
CN401	*		E40-6470-05	PIN ASSY		R22			RK73GB2A104J	CHIP R 100K J 1/10W	
CN550			E41-2772-05	PIN ASSY	K1E3	R23			RK73GB2A103J	CHIP R 10K J 1/10W	KR1M1
CN700	*		E41-2248-05	PIN ASSY		R23			RK73GB2A103J	CHIP R 10K J 1/10W	X1M3K1
CN900	*		E41-2986-05	FLAT CABLE CONNECTOR		R24			RK73GB2A223J	CHIP R 22K J 1/10W	
J1			E58-1043-05	RECTANGULAR RECEPTACLE		R25			RK73GB2A103J	CHIP R 10K J 1/10W	
J550			E56-0864-05	CYLINDRICAL RECEPTACLE	KM1M3	R26			RK73GB2A183J	CHIP R 18K J 1/10W	
J550			E56-0864-05	CYLINDRICAL RECEPTACLE	R1	R27			RK73GB2A473J	CHIP R 47K J 1/10W	
J550			E56-0864-05	CYLINDRICAL RECEPTACLE	X1E1E2	R28			RK73GB2A222J	CHIP R 2.2K J 1/10W	
J600			E58-1034-05	RECTANGULAR RECEPTACLE		R29			RK73GH2A563D	CHIP R 56K D 1/10W	
J650			E58-1097-05	RECTANGULAR RECEPTACLE	KR1K1	R31			RK73FB2B561J	CHIP R 560 J 1/8W	
W500	*		E30-6797-05	CORD WITH PLUG (FM/AM ANT)	KM1M3	R32			RK73GB2A000J	CHIP R 0.0 J 1/10W	
W500	*		E30-6797-05	CORD WITH PLUG (FM/AM ANT)	R1K1	R34			RK73EB2E102J	CHIP R 1.0K J 1/4W	
W500	*		E30-6797-05	CORD WITH PLUG (FM/AM ANT)	X1E1E2	R35			RK73GH2A333D	CHIP R 33K D 1/10W	
F100			F53-0297-05	FUSE (UL,CSA) 1.6A		R36,37			RK73GB2A104J	CHIP R 100K J 1/10W	
F101			F53-0306-05	FUSE (UL,CSA) 5A	KR1K1	R38			RK73GB2A473J	CHIP R 47K J 1/10W	
L100			L92-0329-05	CHIP FERRITE	E3	R39			RK73EB2E103J	CHIP R 10K J 1/4W	
L200			L41-1005-33	SMALL FIXED INDUCTOR (10U)		R40			RK73GB2A104J	CHIP R 100K J 1/10W	
L500			L41-4795-33	SMALL FIXED INDUCTOR (4.7U)		R41			RK73GB2A153J	CHIP R 15K J 1/10W	
L502			L41-4795-33	SMALL FIXED INDUCTOR (4.7U)		R42,43			RK73EB2E622J	CHIP R 6.2K J 1/4W	
L504			L41-4795-33	SMALL FIXED INDUCTOR (4.7U)	E2M1M3	R44			RK73GB2A912J	CHIP R 9.1K J 1/10W	
L504			L41-4795-33	SMALL FIXED INDUCTOR (4.7U)	KR1E1	R48			RK73FB2B000J	CHIP R 0.0 J 1/8W	
L504			L41-4795-33	SMALL FIXED INDUCTOR (4.7U)	K1E3	R50			RK73FB2B000J	CHIP R 0.0 J 1/8W	
L700			L92-0319-05	CHIP FERRITE		R101			RK73FB2B221J	CHIP R 220 J 1/8W	
						R102			RK73GB2A104J	CHIP R 100K J 1/10W	

E1 : DDX8022BT E2 : DDX8022BTY E3 : DNX8220BT (Europe)
K : DDX812 K1 : DNX8120 (North America)
X1 : DDX8032BT (Australia) R1 : DDX8032BT (Latin America)
M1 : DDX8032BT M3 : DDX8032BTM (Other Areas)

△ Indicates safety critical components.

PARTS LIST

ELECTRIC UNIT (X34-584x-xx)

Ref. No.	Add	New	Parts No.	Description	Destination	Ref. No.	Add	New	Parts No.	Description	Destination
R103			RK73FB2B152J	CHIP R 1.5K J 1/8W	E3	R215			RK73GB2A104J	CHIP R 100K J 1/10W	
R104			RK73FB2B203J	CHIP R 20K J 1/8W		R216			RK73GB2A102J	CHIP R 1.0K J 1/10W	
R105			RK73GB2A4R7J	CHIP R 4.7 J 1/10W		R217			RK73GB2A103J	CHIP R 10K J 1/10W	
R106			RK73FB2B1R0J	CHIP R 1.0 J 1/8W		R218-223			RK73GB2A101J	CHIP R 100 J 1/10W	
R107			RK73FB2B221J	CHIP R 220 J 1/8W		R224			RK73GB2A103J	CHIP R 10K J 1/10W	
R108			RK73GB2A101J	CHIP R 100 J 1/10W		R225			RK73EB2E2R2J	CHIP R 2.2 J 1/4W	
R109			RK73GB2A472J	CHIP R 4.7K J 1/10W		R226-229			RK73GB2A470J	CHIP R 47 J 1/10W	
R110			RK73GB2A101J	CHIP R 100 J 1/10W	R232			RK73EB2E4R7J	CHIP R 4.7 J 1/4W		
R111			RK73GB2A103J	CHIP R 10K J 1/10W	R233,234			RK73GB2A000J	CHIP R 0.0 J 1/10W		
R112			RK73GB2A101J	CHIP R 100 J 1/10W	R237			RK73GB2A4R7J	CHIP R 4.7 J 1/10W		
R113			RK73GH2A153D	CHIP R 15K D 1/10W	E3	R238,239			RK73GB2A000J	CHIP R 0.0 J 1/10W	
R114			RK73GH2A512D	CHIP R 5.1K D 1/10W		R240			RK73GB2A473J	CHIP R 47K J 1/10W	
R115			RK73GB2A103J	CHIP R 10K J 1/10W		R241			RK73GB2A113J	CHIP R 11K J 1/10W	
R116			RK73GH2A102D	CHIP R 1.0K D 1/10W		R243			RK73GB2A432J	CHIP R 4.3K J 1/10W	
R117			RK73GH2A243D	CHIP R 24K D 1/10W		R244			RK73GB2A100J	CHIP R 10 J 1/10W	
R118			RK73GB2A102J	CHIP R 1.0K J 1/10W		R246			RK73GB2A331J	CHIP R 330 J 1/10W	
R119			RK73GH2A203D	CHIP R 20K D 1/10W		R247			RK73GB2A473J	CHIP R 47K J 1/10W	
R120			RK73GB2A102J	CHIP R 1.0K J 1/10W	R248			RK73HH1J102D	CHIP R 1.0K D 1/16W		
R122			RK73GH2A432D	CHIP R 4.3K D 1/10W	R250			RK73HB1J000J	CHIP R 0.0 J 1/16W		
R124			RK73GB2A223J	CHIP R 22K J 1/10W	R251			RK73HH1J102D	CHIP R 1.0K D 1/16W		
R125			RK73GB2A123J	CHIP R 12K J 1/10W	E3	R252			RK73HB1J000J	CHIP R 0.0 J 1/16W	
R126			RK73FB2B222J	CHIP R 2.2K J 1/8W		R254-259			RK73GB2A151J	CHIP R 150 J 1/10W	
R127			RK73GB2A391J	CHIP R 390 J 1/10W		R262			RK73GB2A561J	CHIP R 560 J 1/10W	
R128			RK73GH2A152D	CHIP R 1.5K D 1/10W		R263			RK73GB2A000J	CHIP R 0.0 J 1/10W	
R129			RK73GH2A222D	CHIP R 2.2K D 1/10W		R300,301			RK73GB2A332J	CHIP R 3.3K J 1/10W	
R130			RK73FB2B221J	CHIP R 220 J 1/8W		R302,303			RK73GB2A183J	CHIP R 18K J 1/10W	
R131			RK73GB2A101J	CHIP R 100 J 1/10W		R304,305			RK73GB2A104J	CHIP R 100K J 1/10W	
R132			RK73GB2A823J	CHIP R 82K J 1/10W	R306			RK73GB2A473J	CHIP R 47K J 1/10W		
R133			RK73GB2A103J	CHIP R 10K J 1/10W	R307			RK73GB2A000J	CHIP R 0.0 J 1/10W		
R135			RK73GH2A223D	CHIP R 22K D 1/10W	R308,309			RK73GB2A470J	CHIP R 47 J 1/10W		
R136			RK73GB2A224J	CHIP R 220K J 1/10W	KR1K1	R334			RK73GB2A471J	CHIP R 470 J 1/10W	
R137			RK73GH2A472D	CHIP R 4.7K D 1/10W		R336			RK73GB2A223J	CHIP R 22K J 1/10W	
R138			RK73GB2A333J	CHIP R 33K J 1/10W		R337			RK73GB2A752J	CHIP R 7.5K J 1/10W	
R139			RK73GB2A224J	CHIP R 220K J 1/10W		R340			RK73GB2A752J	CHIP R 7.5K J 1/10W	
R140			RK73GB2A102J	CHIP R 1.0K J 1/10W		R341			RK73GB2A223J	CHIP R 22K J 1/10W	
R142			RK73GB2A101J	CHIP R 100 J 1/10W		R342			RK73GB2A471J	CHIP R 470 J 1/10W	
R143			RK73GB2A473J	CHIP R 47K J 1/10W		R500			RK73GB2A222J	CHIP R 2.2K J 1/10W	
R144			RK73FB2B152J	CHIP R 1.5K J 1/8W	R500			RK73GB2A222J	CHIP R 2.2K J 1/10W		
R145			RK73GB2A104J	CHIP R 100K J 1/10W	R500			RK73GB2A222J	CHIP R 2.2K J 1/10W		
R146			RK73GH2A243D	CHIP R 24K D 1/10W	R501			RK73GB2A223J	CHIP R 22K J 1/10W		
R147			RK73GH2A432D	CHIP R 4.3K D 1/10W	KR1K1	R502			RK73GB2A102J	CHIP R 1.0K J 1/10W	
R200			RK73GB2A4R7J	CHIP R 4.7 J 1/10W		R503			RK73GB2A000J	CHIP R 0.0 J 1/10W	
R201			RK73GB2A102J	CHIP R 1.0K J 1/10W		R504,505			RK73GB2A222J	CHIP R 2.2K J 1/10W	
R202			RK73GB2A682J	CHIP R 6.8K J 1/10W		R504,505			RK73GB2A222J	CHIP R 2.2K J 1/10W	
R203			RK73GB2A103J	CHIP R 10K J 1/10W		R504,505			RK73GB2A222J	CHIP R 2.2K J 1/10W	
R204,205			RK73HB1J101J	CHIP R 100 J 1/16W		R552			RK73GB2A101J	CHIP R 100 J 1/10W	
R206			RK73GH2A123D	CHIP R 12K D 1/10W		R553			RK73EB2E101J	CHIP R 100 J 1/4W	
R207			RK73GB2A4R7J	CHIP R 4.7 J 1/10W	R554			RK73GB2A100J	CHIP R 10 J 1/10W		
R208			RK73HB1J103J	CHIP R 10K J 1/16W	R555			RK73EB2E101J	CHIP R 100 J 1/4W		
R209			RK73HB1J472J	CHIP R 4.7K J 1/16W	R556			RK73GB2A100J	CHIP R 10 J 1/10W		
R210			RK73HB1J104J	CHIP R 100K J 1/16W	KR1K1	R557			RK73EB2E101J	CHIP R 100 J 1/4W	
R211			RK73HB1J472J	CHIP R 4.7K J 1/16W		R558			RK73GB2A100J	CHIP R 10 J 1/10W	
R212			RK73HB1J104J	CHIP R 100K J 1/16W		R559			RK73EB2E101J	CHIP R 100 J 1/4W	
R213			RK73HB1J103J	CHIP R 10K J 1/16W		R560			RK73GB2A100J	CHIP R 10 J 1/10W	
R214			RK73HB1J104J	CHIP R 100K J 1/16W		R561-563			RK73GB2A750J	CHIP R 75 J 1/10W	

E1 : DDX8022BT E2 : DDX8022BTY E3 : DNX8220BT (Europe)
K : DDX812 K1 : DNX8120 (North America)
X1 : DDX8032BT (Australia) R1 : DDX8032BT (Latin America)
M1 : DDX8032BT M3 : DDX8032BTM (Other Areas)

△ Indicates safety critical components.

PARTS LIST

ELECTRIC UNIT (X34-584x-xx)

Ref. No.	A d d	N e w	Parts No.	Description	Desti- nation	Ref. No.	A d d	N e w	Parts No.	Description	Desti- nation
R561-563			RK73GB2A750J	CHIP R 75 J 1/10W	R1	R715			RK73HB1J102J	CHIP R 1.0K J 1/16W	
R561-563			RK73GB2A750J	CHIP R 75 J 1/10W	X1E1E2	R716			RK73HB1J101J	CHIP R 100 J 1/16W	
R561-564			RK73GB2A102J	CHIP R 1.0K J 1/10W	K1E3	R717			RK73HB1J472J	CHIP R 4.7K J 1/16W	
R565			RK73GB2A103J	CHIP R 10K J 1/10W	K1E3	R718			RK73HB1J101J	CHIP R 100 J 1/16W	
R565			RK73GB2A750J	CHIP R 75 J 1/10W	KM1M3	R719			RK73HB1J102J	CHIP R 1.0K J 1/16W	E1E2E3
R565			RK73GB2A750J	CHIP R 75 J 1/10W	R1	R719,720			RK73HB1J102J	CHIP R 1.0K J 1/16W	KR1M1
R565			RK73GB2A750J	CHIP R 75 J 1/10W	X1E1E2	R719,720			RK73HB1J102J	CHIP R 1.0K J 1/16W	X1M3K1
R566			RK73EB2E4R7J	CHIP R 4.7 J 1/4W		R721,722			RK73HB1J101J	CHIP R 100 J 1/16W	
R567,568			RK73EB2E100J	CHIP R 10 J 1/4W		R723-725			RK73HB1J470J	CHIP R 47 J 1/16W	
R569,570			RK73EB2E102J	CHIP R 1.0K J 1/4W		R726			RK73HB1J102J	CHIP R 1.0K J 1/16W	
R571-574			RK73GB2A911J	CHIP R 910 J 1/10W	K1E3	R727,728			RK73HB1J103J	CHIP R 10K J 1/16W	
R575			RK73EB2E102J	CHIP R 1.0K J 1/4W		R729,730			RK73HB1J473J	CHIP R 47K J 1/16W	
R576-581			RK73GB2A100J	CHIP R 10 J 1/10W		R731			RK73HB1J101J	CHIP R 100 J 1/16W	
R600			RK73EB2E200J	CHIP R 20 J 1/4W		R732,733			RK73HB1J473J	CHIP R 47K J 1/16W	
R601			RK73EB2E100J	CHIP R 10 J 1/4W		R734			RK73HB1J101J	CHIP R 100 J 1/16W	
R602			RK73EB2E200J	CHIP R 20 J 1/4W		R735			RK73HB1J102J	CHIP R 1.0K J 1/16W	
R603-605			RK73EB2E102J	CHIP R 1.0K J 1/4W		R736			RK73HB1J101J	CHIP R 100 J 1/16W	
R606-608			RK73EB2E101J	CHIP R 100 J 1/4W		R737			RK73HB1J102J	CHIP R 1.0K J 1/16W	
R609,610			RK73EB2E102J	CHIP R 1.0K J 1/4W		R738-741			RK73HB1J101J	CHIP R 100 J 1/16W	
R611			RK73EB2E101J	CHIP R 100 J 1/4W		R742			RK73HB1J102J	CHIP R 1.0K J 1/16W	
R612			RK73GB2A100J	CHIP R 10 J 1/10W		R743			RK73HB1J101J	CHIP R 100 J 1/16W	
R613			RK73GB2A750J	CHIP R 75 J 1/10W		R744			RK73GB2A473J	CHIP R 47K J 1/10W	
R650			RK73EB2E200J	CHIP R 20 J 1/4W	KR1K1	R745,746			RK73HB1J101J	CHIP R 100 J 1/16W	
R651			RK73EB2E100J	CHIP R 10 J 1/4W	KR1K1	R747			RK73HB1J000J	CHIP R 0.0 J 1/16W	
R652			RK73EB2E200J	CHIP R 20 J 1/4W	KR1K1	R748			RK73HB1J101J	CHIP R 100 J 1/16W	
R653,654			RK73EB2E102J	CHIP R 1.0K J 1/4W	KR1K1	R750			RK73HB1J101J	CHIP R 100 J 1/16W	
R655			RK73GB2A473J	CHIP R 47K J 1/10W		R751			RK73GB2A473J	CHIP R 47K J 1/10W	
R656,657			RK73GB2A103J	CHIP R 10K J 1/10W	KR1K1	R752			RK73HB1J102J	CHIP R 1.0K J 1/16W	
R658			RK73GB2A473J	CHIP R 47K J 1/10W	KR1K1	R753,754			RK73HB1J101J	CHIP R 100 J 1/16W	E2M1M3
R659			RK73GB2A472J	CHIP R 4.7K J 1/10W	KR1K1	R753,754			RK73HB1J101J	CHIP R 100 J 1/16W	KR1E1
R660			RK73GB2A101J	CHIP R 100 J 1/10W	KR1K1	R753,754			RK73HB1J101J	CHIP R 100 J 1/16W	K1E3
R661-663			RK73EB2E101J	CHIP R 100 J 1/4W	KR1K1	R754			RK73HB1J101J	CHIP R 100 J 1/16W	X1
R664			RK73GB2A103J	CHIP R 10K J 1/10W	KR1K1	R755			RK73HB1J102J	CHIP R 1.0K J 1/16W	
R665			RK73GB2A104J	CHIP R 100K J 1/10W		R756-758			RK73HB1J101J	CHIP R 100 J 1/16W	E2M1M3
R666			RK73GB2A102J	CHIP R 1.0K J 1/10W	KR1K1	R756-758			RK73HB1J101J	CHIP R 100 J 1/16W	KR1E1
R667-669			RK73GB2A100J	CHIP R 10 J 1/10W	KR1K1	R756-758			RK73HB1J101J	CHIP R 100 J 1/16W	K1E3
R670			RK73GB2A101J	CHIP R 100 J 1/10W	KR1K1	R757			RK73HB1J101J	CHIP R 100 J 1/16W	X1
R671			RK73GB2A000J	CHIP R 0.0 J 1/10W		R759			RK73HB1J102J	CHIP R 1.0K J 1/16W	
R673			RK73GB2A103J	CHIP R 10K J 1/10W	KR1K1	R760			RK73HB1J223J	CHIP R 22K J 1/16W	
R700			RK73HB1J103J	CHIP R 10K J 1/16W	KK1	R762-764			RK73HB1J102J	CHIP R 1.0K J 1/16W	
R700			RK73HB1J303J	CHIP R 30K J 1/16W	X1	R765,766			RK73HB1J473J	CHIP R 47K J 1/16W	E2M1M3
R700			RK73HB1J332J	CHIP R 3.3K J 1/16W	E1E2E3	R765,766			RK73HB1J473J	CHIP R 47K J 1/16W	KR1E1
R700,701			RK73HB1J103J	CHIP R 10K J 1/16W	M1M3	R765,766			RK73HB1J473J	CHIP R 47K J 1/16W	K1E3
R701			RK73HB1J103J	CHIP R 10K J 1/16W	R1E1E2	R767			RK73HB1J102J	CHIP R 1.0K J 1/16W	
R701			RK73HB1J103J	CHIP R 10K J 1/16W	X1E3	R768-770			RK73HB1J473J	CHIP R 47K J 1/16W	E2M1M3
R703			RK73HB1J473J	CHIP R 47K J 1/16W		R768-770			RK73HB1J473J	CHIP R 47K J 1/16W	KR1E1
R704			RK73HB1J102J	CHIP R 1.0K J 1/16W		R768-770			RK73HB1J473J	CHIP R 47K J 1/16W	K1E3
R705			RK73HB1J473J	CHIP R 47K J 1/16W	KM1M3	R768,769			RK73HB1J473J	CHIP R 47K J 1/16W	X1
R705			RK73HB1J473J	CHIP R 47K J 1/16W	R1	R771			RK73HB1J470J	CHIP R 47 J 1/16W	
R705			RK73HB1J473J	CHIP R 47K J 1/16W	X1E1E2	R772,773			RK73HB1J102J	CHIP R 1.0K J 1/16W	KR1K1
R706			RK73HB1J473J	CHIP R 47K J 1/16W	K1E3	R774,775			RK73HB1J101J	CHIP R 100 J 1/16W	
R708			RK73HB1J473J	CHIP R 47K J 1/16W		R776			RK73HB1J102J	CHIP R 1.0K J 1/16W	KR1K1
R710,711			RK73HB1J473J	CHIP R 47K J 1/16W		R777			RK73HB1J472J	CHIP R 4.7K J 1/16W	
R712,713			RK73HB1J222J	CHIP R 2.2K J 1/16W		R780,781			RK73HB1J102J	CHIP R 1.0K J 1/16W	
R714			RK73HB1J101J	CHIP R 100 J 1/16W		R782			RK73HB1J472J	CHIP R 4.7K J 1/16W	

E1 : DDX8022BT E2 : DDX8022BTY E3 : DNX8220BT (Europe)

K : DDX812 K1 : DNX8120 (North America)

X1 : DDX8032BT (Australia) R1 : DDX8032BT (Latin America)

M1 : DDX8032BT M3 : DDX8032BTM (Other Areas)

△Indicates safety critical components.

PARTS LIST

ELECTRIC UNIT (X34-584x-xx)

Ref. No.	Add	New	Parts No.	Description	Destination	Ref. No.	Add	New	Parts No.	Description	Destination
R783-788			RK73HB1J101J	CHIP R 100 J 1/16W		D551-555			STZ6.2N	ZENER DIODE	X1E1E2
R789			RK73HB1J470J	CHIP R 47 J 1/16W		D556			STZ6.8N	ZENER DIODE	KM1M3
R790,791			RK73HB1J101J	CHIP R 100 J 1/16W		D556			STZ6.8N	ZENER DIODE	R1
R792,793			RK73HB1J471J	CHIP R 470 J 1/16W		D556			STZ6.8N	ZENER DIODE	X1E1E2
R794			RK73HB1J104J	CHIP R 100K J 1/16W		D557			UDZS6.2B	ZENER DIODE	KM1M3
R795			RK73HB1J103J	CHIP R 10K J 1/16W		D557			UDZS6.2B	ZENER DIODE	R1
R796			RK73HB1J473J	CHIP R 47K J 1/16W		D557			UDZS6.2B	ZENER DIODE	X1E1E2
R797			RK73HB1J472J	CHIP R 4.7K J 1/16W		D600			STZ6.8N	ZENER DIODE	
R798			RK73GB2A473J	CHIP R 47K J 1/10W		D601			UDZS6.2B	ZENER DIODE	
R799			RK73HB1J104J	CHIP R 100K J 1/16W		D604,605			STZ6.2N	ZENER DIODE	
R800			RK73GB2A473J	CHIP R 47K J 1/10W		D606			UDZS6.2B	ZENER DIODE	
R801			RK73GB2A101J	CHIP R 100 J 1/10W		D607			AVRM16180M6AB	VARIATOR	
R802			RK73HB1J473J	CHIP R 47K J 1/16W		D608,609			AVRM16120M6AB	VARIATOR	
R803-807			RK73GB2A101J	CHIP R 100 J 1/10W		D613			STZ6.2N	ZENER DIODE	
R808			RK73HB1J473J	CHIP R 47K J 1/16W		D649			DAP202U	DIODE	KR1K1
R809			RK73HB1J472J	CHIP R 4.7K J 1/16W		D650			STZ6.8N	ZENER DIODE	KR1K1
R810			RK73HB1J473J	CHIP R 47K J 1/16W		D651			UDZS6.2B	ZENER DIODE	KR1K1
R811			RK73HB1J102J	CHIP R 1.0K J 1/16W		D652			STZ6.2N	ZENER DIODE	KR1K1
R812			RK73HB1J103J	CHIP R 10K J 1/16W		D653			AVRM16180M6AB	VARIATOR	KR1K1
D1,2			M1F60-6063	DIODE		D654			DAP202U	DIODE	KR1K1
D3			DAP202U	DIODE		D662,663			AVRM16180M6AB	VARIATOR	KR1K1
D4			M1F60-6063	DIODE		D664,665			DAP202U	DIODE	
D5			DAN202U	DIODE		IC100			M5237ML-CF0J	ANALOGUE IC	KM1M3
D6			M1F60-6063	DIODE		IC100			M5237ML-CF0J	ANALOGUE IC	R1K1
D7			DAN202U	DIODE		IC100			M5237ML-CF0J	ANALOGUE IC	X1E1E2
D8			M1F60-6063	DIODE		IC100,101			M5237ML-CF0J	ANALOGUE IC	E3
D9			DAN202U	DIODE		IC102			NJM4565V-ZB	ANALOGUE IC	
D10			UDZS6.2B	ZENER DIODE		IC103			TA78L05F-F	ANALOGUE IC	
D11			M1F60-6063	DIODE		IC104			R1114N331B-TR	ANALOGUE IC (3.3V LF)	
D12			UDZS6.8B	ZENER DIODE		IC105			NJM2125F-ZB	ANALOGUE IC	
D14		*	RM30LF014-102	DIODE		IC106			M5237ML-CF0J	ANALOGUE IC	
D15			UDZS6.2B	ZENER DIODE		IC200			AK4220	ANALOGUE IC	
D16			UDZS5.6B	ZENER DIODE		IC201,202			NJM4565V-ZB	ANALOGUE IC	
D17			UDZS4.7B	ZENER DIODE		IC203			E-TDA7415CB	ANALOGUE IC	
D18			UDZS6.2B	ZENER DIODE		IC300			NJM4565V-ZB	ANALOGUE IC	
D19			DAN202U	DIODE		IC303		*	74LVC541APW	MOS-IC	
D100			RB160L-40	DIODE		IC304			74AHC08PW	MOS-IC	
D101			UDZS16B	ZENER DIODE		IC500			E-TDA7478AD	ANALOGUE IC	E2M1M3
D102			UDZS5.6B	ZENER DIODE		IC500			E-TDA7478AD	ANALOGUE IC	KR1E1
D103			1SS355	DIODE		IC500			E-TDA7478AD	ANALOGUE IC	K1E3
D104			UDZS5.6B	ZENER DIODE		IC550			74AHC1G04GW	MOS-IC	
D105			DA204U	DIODE		IC650			74AHC1G08GW	MOS-IC	KR1K1
D106			1SS355	DIODE		IC701			S-80835CNNB-G	MOS-IC	
D107			UDZS9.1B	ZENER DIODE		IC702		*	30624MWPB74GP	MICROCONTROLLER IC	
D200			UDZS6.8B	ZENER DIODE		IC704			TB2923HQ	ANALOGUE IC	
D201,202			DAP202U	DIODE		IC705			NJM78M05DL1AZB	ANALOGUE IC	
D203			AVRM16270MAAB	VARIATOR		Q1			2SB1188(Q,R)	TRANSISTOR	
D204			DAP202U	DIODE		Q2			2SA1576A	TRANSISTOR	
D206			DAP202U	DIODE		Q3			DTC124EUA	DIGITAL TRANSISTOR	
D301			DAP202U	DIODE		Q4			DTA114EUA	DIGITAL TRANSISTOR	
D500			IMSA-6801-E	SURGE ABSORBER		Q5			2SA1576A	TRANSISTOR	
D550			UDZS6.2B	ZENER DIODE		Q6			DTC114YUA	DIGITAL TRANSISTOR	
D551-555			STZ6.2N	ZENER DIODE	KM1M3	Q7			2SB1188(R)	TRANSISTOR	KR1M1
D551-555			STZ6.2N	ZENER DIODE	R1	Q7			2SB1188(R)	TRANSISTOR	X1M3K1
						Q8			DTC124EUA	DIGITAL TRANSISTOR	

E1 : DDX8022BT E2 : DDX8022BTY E3 : DNX8220BT (Europe)
K : DDX812 K1 : DNX8120 (North America)
X1 : DDX8032BT (Australia) R1 : DDX8032BT (Latin America)
M1 : DDX8032BT M3 : DDX8032BTM (Other Areas)

△ Indicates safety critical components.

PARTS LIST

ELECTRIC UNIT (X34-584x-xx)

Ref. No.	A d d	N e w	Parts No.	Description	Desti- nation
Q9,10			2SC4081	TRANSISTOR	KR1M1
Q9,10			2SC4081	TRANSISTOR	X1M3K1
Q10			2SC4081	TRANSISTOR	E1E2E3
Q11			2SA1576A	TRANSISTOR	
Q13,14			2SC4081	TRANSISTOR	
Q100,101			UMC2N	TRANSISTOR	
Q102			2SB1184	TRANSISTOR	
Q103			2SC5712-F	TRANSISTOR	
Q104			UMC2N	TRANSISTOR	E3
Q105			KTA1046-P	TRANSISTOR	
Q106			2SA1576A	TRANSISTOR	
Q107			2SB1184	TRANSISTOR	E3
Q108-110			2SC4081	TRANSISTOR	
Q111			2SB1689	TRANSISTOR	
Q112			DTC124EUA	DIGITAL TRANSISTOR	
Q113			DTC114YUA	DIGITAL TRANSISTOR	KR1K1
Q114			2SA1576A	TRANSISTOR	KR1K1
Q115			KTA1046-P	TRANSISTOR	
Q116			DTC124EUA	DIGITAL TRANSISTOR	
Q117			2SA1576A	TRANSISTOR	KR1K1
Q118			DTA124EUA	DIGITAL TRANSISTOR	
Q119			TPC8110-F	FET	KR1K1
Q120			UMC2N	TRANSISTOR	
Q121			2SB1449(R)-E	TRANSISTOR	
Q122			2SC4081	TRANSISTOR	
Q200			2SA1576A	TRANSISTOR	
Q300			DTC643TU	DIGITAL TRANSISTOR	
Q301			DTA144EUA	DIGITAL TRANSISTOR	
Q302			DTC643TU	DIGITAL TRANSISTOR	
Q500			DTC124EUA	DIGITAL TRANSISTOR	
Q501			2SB1689	TRANSISTOR	
Q650,651			2SC4081	TRANSISTOR	KR1K1
Q652			DTA114EUA	DIGITAL TRANSISTOR	KR1K1
Q653,654			DTC144EUA	DIGITAL TRANSISTOR	KR1K1
Q700			DTC144EUA	DIGITAL TRANSISTOR	
Q701			RT1N440M	TRANSISTOR	
Q702			DTC114YUA	DIGITAL TRANSISTOR	
Q703			DTC124EUA	DIGITAL TRANSISTOR	
Q704			DTC114TUA	DIGITAL TRANSISTOR	
Q705			2SK3019	FET	
Q706			DTA114TUA	DIGITAL TRANSISTOR	
Q707			2SK3019	FET	
TH201			PRF18BE471QS2	POSITIVE RESISTOR	
A500			X86-4030-11	FRONT-END UNIT	KR1X1
A500			X86-4030-11	FRONT-END UNIT	K1
A500			X86-4032-70	FRONT-END UNIT	E1E2M1
A500			X86-4032-70	FRONT-END UNIT	M3E3
A501	2C	*	X89-3062-71	DAUGHTER UNIT	E3
VIDEO UNIT (X35-4940-10)					
C1,2			CK73EB1E106K	CHIP C 10UF K	
C3-6			CK73GB1H103K	CHIP C 0.010UF K	
C7,8			CK73GB0J225K	CHIP C 2.2UF K	
C9			CK73GB1A474K	CHIP C 0.47UF K	
C10			CK73GB1E183K	CHIP C 0.018UF K	

Ref. No.	A d d	N e w	Parts No.	Description	Desti- nation
C11			CK73GB1H152K	CHIP C 1500PF K	
C12			CK73GB0J225K	CHIP C 2.2UF K	
C13			CK73GB1H103K	CHIP C 0.010UF K	
C14,15			CK73GB1H473K	CHIP C 0.047UF K	
C16			C93-1383-05	CHIP C 220PF F	
C18-20			CK73EB1E106K	CHIP C 10UF K	
C21-24			C93-1283-05	CHIP C 1.0UF K	
C25		*	C93-1461-05	CHIP C 2700PF F	
C26			C93-1273-05	CHIP C 15PF J	
C27		*	C93-1466-05	CHIP C 0.018UF F	
C101			CK73FB0J106K	CHIP C 10UF K	
C102			CK73GB1H103K	CHIP C 0.010UF K	
C103			CC73GCH1H102J	CHIP C 1000PF J	
C104-107			CK73GB1C104K	CHIP C 0.10UF K	
C108			CK73EB1E106K	CHIP C 10UF K	
C109			CK73GB1H104K	CHIP C 0.10UF K	
C110			CK73GB1H103K	CHIP C 0.010UF K	
C111			CK73FB1E154K	CHIP C 0.15UF K	
C112			CC73GCH1H102J	CHIP C 1000PF J	
C113			CK73GB1C224K	CHIP C 0.22UF K	
C114			CC73GCH1H151J	CHIP C 150PF J	
C115			CK73EB1E225K	CHIP C 2.2UF K	
C117,118			CK73FB1C106K	CHIP C 10UF K	
C119			CK73GB1C104K	CHIP C 0.10UF K	
C120			CK73FB1C106K	CHIP C 10UF K	
C121			CK73GB1C104K	CHIP C 0.10UF K	
C122			CK73GB1H103K	CHIP C 0.010UF K	
C124			CK73FB1C106K	CHIP C 10UF K	
C131			CK73FB1C106K	CHIP C 10UF K	
C140,141			CK73GB1C104K	CHIP C 0.10UF K	
C200			CK73FB0J106K	CHIP C 10UF K	
C201			CK73GB1H103K	CHIP C 0.010UF K	
C202			CK73FB1C106K	CHIP C 10UF K	
C203			CK73GB1H103K	CHIP C 0.010UF K	
C204,205			CK73FB1A475K	CHIP C 4.7UF K	
C207			CC73GCH1H560J	CHIP C 56PF J	
C208			CK73EB1E106K	CHIP C 10UF K	
C209			CK73GB1H103K	CHIP C 0.010UF K	
C210			CK73EB1E106K	CHIP C 10UF K	
C211			CK73GB1H103K	CHIP C 0.010UF K	
C216,217			CK73FB1C106K	CHIP C 10UF K	
C218			CK73GB1C104K	CHIP C 0.10UF K	
C219			CC73GCH1H101J	CHIP C 100PF J	
C221			CK73FB1C106K	CHIP C 10UF K	
C301			CK73HB1E103K	CHIP C 0.010UF K	
C302			CK73FB0J106K	CHIP C 10UF K	
C303			CK73HB1E103K	CHIP C 0.010UF K	
C304			CK73FB0J106K	CHIP C 10UF K	
C305			CK73GB1A105K	CHIP C 1.0UF K	
C306			CK73HB1A104K	CHIP C 0.10UF K	
C308			CK73GB1A105K	CHIP C 1.0UF K	
C309			CC73HCH1H560J	CHIP C 56PF J	
C310			CC73HCH1H330J	CHIP C 33PF J	
C311,312			CC73HCH1H102J	CHIP C 1000PF J	
C313			CK73HB1A104K	CHIP C 0.10UF K	

E1 : DDX8022BT E2 : DDX8022BTY E3 : DNX8220BT (Europe)
K : DDX812 K1 : DNX8120 (North America)
X1 : DDX8032BT (Australia) R1 : DDX8032BT (Latin America)
M1 : DDX8032BT M3 : DDX8032BTM (Other Areas)

△Indicates safety critical components.

PARTS LIST

VIDEO UNIT (X35-4940-10)

Ref. No.	Add	New	Parts No.	Description	Destination	Ref. No.	Add	New	Parts No.	Description	Destination
C314			CK73FB0J106K	CHIP C 10UF K		R2,3			RK73GB2A000J	CHIP R 0.0 J 1/10W	
C315-334			CK73HB1A104K	CHIP C 0.10UF K		R5			RK73GB2A153J	CHIP R 15K J 1/10W	
C335			CC73HCH1H240J	CHIP C 24PF J		R7			RK73GB2A222J	CHIP R 2.2K J 1/10W	
C336			CC73HCH1H270J	CHIP C 27PF J		R8			RK73GB2A220J	CHIP R 22 J 1/10W	
C337			CK73HB1A104K	CHIP C 0.10UF K		R9			RK73GH2A433D	CHIP R 43K D 1/10W	
C338,339			CK73HB1E103K	CHIP C 0.010UF K		R10			RK73GB2A220J	CHIP R 22 J 1/10W	
C340			CK73HB1A104K	CHIP C 0.10UF K		R11			RK73GB2A515J	CHIP R 5.1M J 1/10W	
C341			CK73FB0J106K	CHIP C 10UF K		R12			RK73GH2A513D	CHIP R 51K D 1/10W	
C342-347			CK73HB1A104K	CHIP C 0.10UF K		R13			RK73GB2A104J	CHIP R 100K J 1/10W	
C349,350			CK73HB1A104K	CHIP C 0.10UF K		R14			RK73GH2A164D	CHIP R 160K D 1/10W	
C360			CK73HB1H102K	CHIP C 1000PF K		R15			RK73GB2A472J	CHIP R 4.7K J 1/10W	
C361			CC73HCH1H820J	CHIP C 82PF J		R16			RK73GB2A105J	CHIP R 1.0M J 1/10W	
C362,363			CK73HB1A104K	CHIP C 0.10UF K		R17			RK73GB2A512J	CHIP R 5.1K J 1/10W	
C372			CK73FB1C105K	CHIP C 1.0UF K		R18			RK73GH2A563D	CHIP R 56K D 1/10W	
C373,374			CK73FB0J106K	CHIP C 10UF K		R19			RK73GH2A754D	CHIP R 750K D 1/10W	
C375			CK73EB1E105K	CHIP C 1.0UF K		R20			RK73GB2A512J	CHIP R 5.1K J 1/10W	
C376-382			CK73HB1A104K	CHIP C 0.10UF K		R21-24			RK73GB2A220J	CHIP R 22 J 1/10W	
C386			CK73HB1A104K	CHIP C 0.10UF K		R25			RK73GH2A471D	CHIP R 470 D 1/10W	
C387			CK73HB1H102K	CHIP C 1000PF K		R27			RK73GH2A103D	CHIP R 10K D 1/10W	
C500,501			CK73GB1H103K	CHIP C 0.010UF K		R32			RK73GB2A000J	CHIP R 0.0 J 1/10W	
C502			CK73FB0J106K	CHIP C 10UF K		R100			RK73GB2A100J	CHIP R 10 J 1/10W	
C601			CK73FB0J106K	CHIP C 10UF K		R101			RK73GB2A754J	CHIP R 750K J 1/10W	
C602			CC73GCH1H221J	CHIP C 220PF J		R102			RK73GB2A473J	CHIP R 47K J 1/10W	
C603			CK73GB1C104K	CHIP C 0.10UF K		R104			RK73GH2A114D	CHIP R 110K D 1/10W	
C603			CK73GB1C104K	CHIP C 0.10UF K		R105			RK73GH2A103D	CHIP R 10K D 1/10W	
CN1			E41-2642-05	PIN ASSY		R106			RK73GH2A164D	CHIP R 160K D 1/10W	
CN100	*		E41-2985-05	FLAT CABLE CONNECTOR		R107			RK73GH2A183D	CHIP R 18K D 1/10W	
CN300			E41-2359-05	PIN ASSY		R108-110			RK73GB2A000J	CHIP R 0.0 J 1/10W	
CN301			E41-2208-05	FLAT CABLE CONNECTOR		R111			RK73GB2A222J	CHIP R 2.2K J 1/10W	
CN500			E41-2088-05	FLAT CABLE CONNECTOR		R112			RK73GB2A103J	CHIP R 10K J 1/10W	
CN600	*		E41-2974-05	FLAT CABLE CONNECTOR		R140			RK73GH2A103D	CHIP R 10K D 1/10W	
J1,2			E04-0433-05	RF COAXIAL CABLE RECEPTACLE		R141			RK73GH2A513D	CHIP R 51K D 1/10W	
F100			F53-0280-05	FUSE 0.63A		R142,143			RK73GB2A472J	CHIP R 4.7K J 1/10W	
L1			L33-2454-05	CHOKE COIL		R201			RK73GB2A223J	CHIP R 22K J 1/10W	
L2			L19-0802-05	TRANSFORMER FOR CONVERTER		R203			RK73GB2A473J	CHIP R 47K J 1/10W	
L100			L33-2454-05	CHOKE COIL		R205			RK73GH2A392D	CHIP R 3.9K D 1/10W	
L101			L41-4792-13	SMALL FIXED INDUCTOR (4.7UH)		R206			RK73GH2A222D	CHIP R 2.2K D 1/10W	
L102			L41-1005-33	SMALL FIXED INDUCTOR (10U)		R207			RK73GH2A123D	CHIP R 12K D 1/10W	
L103,104			L41-3392-13	SMALL FIXED INDUCTOR (3.3UH)		R208			RK73GB2A101J	CHIP R 100 J 1/10W	
L105			L41-1005-33	SMALL FIXED INDUCTOR (10U)		R209,210			RK73GB2A000J	CHIP R 0.0 J 1/10W	
L200,201			L41-1005-33	SMALL FIXED INDUCTOR (10U)		R212			RK73GB2A000J	CHIP R 0.0 J 1/10W	
L203			L41-1005-33	SMALL FIXED INDUCTOR (10U)		R216,217			RK73GB2A470J	CHIP R 47 J 1/10W	
L300,301			L41-1005-33	SMALL FIXED INDUCTOR (10U)		R222,223			RK73GH2A102D	CHIP R 1.0K D 1/10W	
L302			L41-2205-33	SMALL FIXED INDUCTOR (22U)		R224			RK73GB2A222J	CHIP R 2.2K J 1/10W	
L303			L41-1005-33	SMALL FIXED INDUCTOR (10U)		R228			RK73GH2A153D	CHIP R 15K D 1/10W	
L304-306			L92-0319-05	CHIP FERRITE		R229			RK73GH2A103D	CHIP R 10K D 1/10W	
L307			L41-1005-33	SMALL FIXED INDUCTOR (10U)		R300-302			RK73HB1J000J	CHIP R 0.0 J 1/16W	
L308-311			L92-0319-05	CHIP FERRITE		R303,304			RK73FB2B101J	CHIP R 100 J 1/8W	
L312			L41-1005-33	SMALL FIXED INDUCTOR (10U)		R305,306			RK73HB1J000J	CHIP R 0.0 J 1/16W	
L313			L41-8281-15	SMALL FIXED INDUCTOR (0.82U)		R307-309			RK73HB1J101J	CHIP R 100 J 1/16W	
L315			L92-0319-05	CHIP FERRITE		R310-312			RK73HB1J000J	CHIP R 0.0 J 1/16W	
L600			L41-1005-33	SMALL FIXED INDUCTOR (10U)		R313,314			RK73HB1J101J	CHIP R 100 J 1/16W	
X300			L77-2965-05	CRYSTAL RESONATOR (12.000MHZ)		R320			RK73HB1J272J	CHIP R 2.7K J 1/16W	
R1			RK73FB2B152J	CHIP R 1.5K J 1/8W		R321			RK73HB1J100J	CHIP R 10 J 1/16W	
						R322			RK73HB1J101J	CHIP R 100 J 1/16W	

E1 : DDX8022BT E2 : DDX8022BTY E3 : DNX8220BT (Europe)
 K : DDX812 K1 : DNX8120 (North America)
 X1 : DDX8032BT (Australia) R1 : DDX8032BT (Latin America)
 M1 : DDX8032BT M3 : DDX8032BTM (Other Areas)

△ Indicates safety critical components.

PARTS LIST

VIDEO UNIT (X35-4940-10)

Ref. No.	A d d	N e w	Parts No.	Description	Desti- nation
R323			RK73HB1J100J	CHIP R 10 J 1/16W	
R324			RK73HB1J272J	CHIP R 2.7K J 1/16W	
R325-328			RK73HB1J000J	CHIP R 0.0 J 1/16W	
R331,332			RK73HB1J101J	CHIP R 100 J 1/16W	
R336			RK73HB1J105J	CHIP R 1.0M J 1/16W	
R337			RK73HB1J102J	CHIP R 1.0K J 1/16W	
R338			RK73HB1J000J	CHIP R 0.0 J 1/16W	
R339-341			RK73HB1J330J	CHIP R 33 J 1/16W	
R342			RK73HB1J103J	CHIP R 10K J 1/16W	
R343			RK73HB1J000J	CHIP R 0.0 J 1/16W	
R345,346			RK73HB1J000J	CHIP R 0.0 J 1/16W	
R347,348			RK73HB1J330J	CHIP R 33 J 1/16W	
R351			RK73HB1J000J	CHIP R 0.0 J 1/16W	
R353			RK73HB1J473J	CHIP R 47K J 1/16W	
R354,355			RK73HB1J330J	CHIP R 33 J 1/16W	
R359			RK73HB1J472J	CHIP R 4.7K J 1/16W	
R360			RK73HB1J181J	CHIP R 180 J 1/16W	
R361			RK73HB1J101J	CHIP R 100 J 1/16W	
R362			RK73HB1J560J	CHIP R 56 J 1/16W	
R363-370			RK73HB1J101J	CHIP R 100 J 1/16W	
R372			RK73HB1J101J	CHIP R 100 J 1/16W	
R373			RK73HB1J472J	CHIP R 4.7K J 1/16W	
R392-397			RK73HB1J000J	CHIP R 0.0 J 1/16W	
R398			RK73HB1J102J	CHIP R 1.0K J 1/16W	
R399			RK73HB1J101J	CHIP R 100 J 1/16W	
R400-403			RK73HB1J473J	CHIP R 47K J 1/16W	
R404			RK73HB1J000J	CHIP R 0.0 J 1/16W	
R405			RK73HB1J101J	CHIP R 100 J 1/16W	
R406			RK73GH2A911D	CHIP R 910 D 1/10W	
R407			RK73GH2A102D	CHIP R 1.0K D 1/10W	
R410			RK73HB1J000J	CHIP R 0.0 J 1/16W	
R413			RK73HB1J101J	CHIP R 100 J 1/16W	
R414,415			RK73HB1J103J	CHIP R 10K J 1/16W	
R416			RK73FB2B000J	CHIP R 0.0 J 1/8W	
R500,501			RK73GB2A333J	CHIP R 33K J 1/10W	
R504-507			RK73EB2E100J	CHIP R 10 J 1/4W	
R509			RK73FB2B000J	CHIP R 0.0 J 1/8W	
R603-606			RK73EB2E101J	CHIP R 100 J 1/4W	
R607			RK73EB2E100J	CHIP R 10 J 1/4W	
R608			RK73EB2E121J	CHIP R 120 J 1/4W	
R609			RK73EB2E101J	CHIP R 100 J 1/4W	
R610			RK73GB2A101J	CHIP R 100 J 1/10W	
R611-614			RK73GB2A000J	CHIP R 0.0 J 1/10W	
R615			RK73GB2A302J	CHIP R 3.0K J 1/10W	
R616,617			RK73GB2A000J	CHIP R 0.0 J 1/10W	
R618			RK73GB2A512J	CHIP R 5.1K J 1/10W	
R619,620			RK73GB2A000J	CHIP R 0.0 J 1/10W	
R621			RK73GB2A103J	CHIP R 10K J 1/10W	
R622			RK73GB2A000J	CHIP R 0.0 J 1/10W	
R623			RK73GB2A303J	CHIP R 30K J 1/10W	
R624-627			RK73GB2A681J	CHIP R 680 J 1/10W	
R629-634			RK73GB2A681J	CHIP R 680 J 1/10W	
R635			RK73FB2B132J	CHIP R 1.3K J 1/8W	
R636-638			RK73GB2A000J	CHIP R 0.0 J 1/10W	
R643,644			RK73GB2A473J	CHIP R 47K J 1/10W	

Ref. No.	A d d	N e w	Parts No.	Description	Desti- nation
R645			RK73GB2A822J	CHIP R 8.2K J 1/10W	
VR200			R32-0350-05	SEMI FIXED VARIABLE RESIS (10K)	
D1			UDZS5.6B	ZENER DIODE	
D2			AVRM16120M6AB	VARISTOR	
D3,4			1SS355	DIODE	
D5			UDZS5.6B	ZENER DIODE	
D6			MA2S784-F	DIODE	
D7			UDZS5.6B	ZENER DIODE	
D8,9			DA204U	DIODE	
D100			EP05Q06	DIODE	
D101-103			EP05Q04	DIODE	
D306,307			AVRM16270MAAB	VARISTOR	
D500-503			UDZS6.8B	ZENER DIODE	
D504			DA204U	DIODE	
D605-608			AVRM16120M6AB	VARISTOR	
D609			AVRM16180M6AB	VARISTOR	
D610,611			AVRM16120M6AB	VARISTOR	
IC1			OZ964ISN-C-SN	ANALOGUE IC	
IC100			TC7WH123FU-F	MOS-IC	
IC101			74AHC1G04GW	MOS-IC	
IC102			LT1947-PBF	ANALOGUE IC	
IC200			TA75W558FU-F	ANALOGUE IC	
IC300			S-1112B25MCG	ANALOGUE IC	
IC301			MST7988LA-ALF	MOS-IC	
IC302			74LVC3G34DP	MOS-IC	
IC303		*	AT25F2048-6Z1	ROM IC	
IC304			74AHC1G04GW	MOS-IC	
Q1			2SC4081	TRANSISTOR	
Q2,3			SI5504DC-E3	DUAL FET	
Q4			2SC4081	TRANSISTOR	
Q5			DTC114YUA	DIGITAL TRANSISTOR	
Q140			2SC4081	TRANSISTOR	
Q141			2SA1576A	TRANSISTOR	
Q202			2SC4097	TRANSISTOR	
Q203			2SA1577	TRANSISTOR	
Q205			UMZ1N	TRANSISTOR	
Q300			2SA1576A	TRANSISTOR	
Q301			2SC4081	TRANSISTOR	
Q302,303			DTC114YUA	DIGITAL TRANSISTOR	
Q304			DTA123JUA	DIGITAL TRANSISTOR	
Q500			DTA143ZUA	DIGITAL TRANSISTOR	
Q501			DTC143ZUA	DIGITAL TRANSISTOR	
Q502			DTA143ZUA	DIGITAL TRANSISTOR	
Q503			DTC143ZUA	DIGITAL TRANSISTOR	
Q504			DTC114YUA	DIGITAL TRANSISTOR	
Q600			2SA1576A	TRANSISTOR	
Q601			2SC4081	TRANSISTOR	
DVD UNIT (X37-1120-06) IN DVD MECHA.					
C3			CK73HB1A104K	CHIP C 0.10UF K	
C4			CC73HCH1H471J	CHIP C 470PF J	
C5-7			CK73HB1E103K	CHIP C 0.010UF K	
C8			CC73HCH1H471J	CHIP C 470PF J	
C11			CK73HB1E103K	CHIP C 0.010UF K	
C14			CK73GB0J106M	CHIP C 10UF M	

E1 : DDX8022BT E2 : DDX8022BTY E3 : DNX8220BT (Europe)

K : DDX812 K1 : DNX8120 (North America)

X1 : DDX8032BT (Australia) R1 : DDX8032BT (Latin America)

M1 : DDX8032BT M3 : DDX8032BTM (Other Areas)

△Indicates safety critical components.

PARTS LIST

DVD UNIT (X37-1120-06) IN DVD MECHA.

Ref. No.	Add	New	Parts No.	Description	Destination	Ref. No.	Add	New	Parts No.	Description	Destination
C15			CK73HB1A104K	CHIP C 0.10UF K		C261,262			CC73HCH1H331J	CHIP C 330PF J	
C16			CK73GB0J106M	CHIP C 10UF M		C263			CK73HB0J105K	CHIP C 1.0UF K	
C17			CK73GB0J475K	CHIP C 4.7UF K		C265			CK73GB1A105K	CHIP C 1.0UF K	
C18			CK73FB0J226M	CHIP C 22UF M		C266			CK73HB1C333K	CHIP C 0.033UF K	
C20			CC73HCH1H102J	CHIP C 1000PF J		C267			CK73FB0J226M	CHIP C 22UF M	
C50,51			C93-1228-05	CHIP C 1UF M		C270			CK73HB0J105K	CHIP C 1.0UF K	
C54			C93-1228-05	CHIP C 1UF M		C271			CC73HCH1H102J	CHIP C 1000PF J	
C59,60			C93-1228-05	CHIP C 1UF M		C272			CK73HB0J105K	CHIP C 1.0UF K	
C62			C93-1228-05	CHIP C 1UF M		C300,301			CC73HCH1H102J	CHIP C 1000PF J	
C63			CK73FB0J226M	CHIP C 22UF M		C302			CK73GB0J106M	CHIP C 10UF M	
C72			CK73HB1A104K	CHIP C 0.10UF K		C304-306			CK73GB0J106M	CHIP C 10UF M	
C73			CK73GB0J106M	CHIP C 10UF M		C350,351			CC73HCH1H102J	CHIP C 1000PF J	
C100-102			CK73HB1A104K	CHIP C 0.10UF K		C434			CK73GB0J106M	CHIP C 10UF M	
C103			C93-1228-05	CHIP C 1UF M		C435			CK73HB1E103K	CHIP C 0.010UF K	
C104			CK73HB1A104K	CHIP C 0.10UF K		C441			CK73HB1A104K	CHIP C 0.10UF K	
C105			C93-1228-05	CHIP C 1UF M		C442-445			CK73FB0J226M	CHIP C 22UF M	
C106,107			CK73HB1A104K	CHIP C 0.10UF K		C446			CK73HB1A104K	CHIP C 0.10UF K	
C108			C93-1228-05	CHIP C 1UF M		C448,449			C93-1228-05	CHIP C 1UF M	
C109			CK73HB1A104K	CHIP C 0.10UF K		C450			CK73HB1A104K	CHIP C 0.10UF K	
C110			C93-1228-05	CHIP C 1UF M		C452			C93-1228-05	CHIP C 1UF M	
C111			CK73HB1C333K	CHIP C 0.033UF K		C454,455			CK73HB1A104K	CHIP C 0.10UF K	
C112,113			CK73HB1A104K	CHIP C 0.10UF K		C456-458			CK73HB1H682K	CHIP C 6800PF K	
C114			CK73GB1H562K	CHIP C 5600PF K		C461			CK73HB1H472K	CHIP C 4700PF K	
C115			CK73HB1C183K	CHIP C 0.018UF K		C462			CK73HB1E103K	CHIP C 0.010UF K	
C117			CK73HB1A104K	CHIP C 0.10UF K		C464			CK73HB0J105K	CHIP C 1.0UF K	
C118			CK73HB0J105K	CHIP C 1.0UF K		C466			CK73HB1A104K	CHIP C 0.10UF K	
C119			C93-1228-05	CHIP C 1UF M		C467			CC73HCH1H121J	CHIP C 120PF J	
C120,121			CK73HB1A104K	CHIP C 0.10UF K		C468,469			CK73HB1A104K	CHIP C 0.10UF K	
C122,123			CK73GB0J106M	CHIP C 10UF M		C470			CK73HB1E103K	CHIP C 0.010UF K	
C126-129			CK73HB1A104K	CHIP C 0.10UF K		C473			CK73HB1A104K	CHIP C 0.10UF K	
C130-133			CC73HCH1H151J	CHIP C 150PF J		C474			CC73HCH1H102J	CHIP C 1000PF J	
C134			CC73HCH1H102J	CHIP C 1000PF J		C476			CC73HCH1H101J	CHIP C 100PF J	
C135,136			C93-1228-05	CHIP C 1UF M		C477-479			CK73FB0J226M	CHIP C 22UF M	
C137,138			CK73HB0J105K	CHIP C 1.0UF K		C480			CK73HB1A104K	CHIP C 0.10UF K	
C139,140			C93-1228-05	CHIP C 1UF M		C481			CC73HCH1H151J	CHIP C 150PF J	
C142			C93-1228-05	CHIP C 1UF M		C482			CC73HCH1H471J	CHIP C 470PF J	
C143,144			CC73HCH1H100D	CHIP C 10PF D		C483			CC73HCH1H102J	CHIP C 1000PF J	
C145-149			CK73HB1A104K	CHIP C 0.10UF K		C484			CK73HB1E103K	CHIP C 0.010UF K	
C151,152			C93-1228-05	CHIP C 1UF M		C485			CC73HCH1H151J	CHIP C 150PF J	
C153,154			CK73HB1A104K	CHIP C 0.10UF K		C486			CC73HCH1H471J	CHIP C 470PF J	
C158			CK73HB1A104K	CHIP C 0.10UF K		C487			CC73HCH1H102J	CHIP C 1000PF J	
C162			CK73HB1A104K	CHIP C 0.10UF K		C488			CK73HB1E103K	CHIP C 0.010UF K	
C164-169			CK73GB0J106M	CHIP C 10UF M		C489			CC73HCH1H151J	CHIP C 150PF J	
C200-203			CK73GB0J106M	CHIP C 10UF M		C490			CC73HCH1H471J	CHIP C 470PF J	
C207,208			CK73HB1A104K	CHIP C 0.10UF K		C491			CC73HCH1H102J	CHIP C 1000PF J	
C220-223			CK73HB0J105K	CHIP C 1.0UF K		C492			CK73HB1E103K	CHIP C 0.010UF K	
C224			CK73HB1E103K	CHIP C 0.010UF K		C493			CC73HCH1H151J	CHIP C 150PF J	
C226			CK73FB0J226M	CHIP C 22UF M		C494			CC73HCH1H471J	CHIP C 470PF J	
C229,230			CK73HB1E103K	CHIP C 0.010UF K		C495			CC73HCH1H102J	CHIP C 1000PF J	
C231			CC73HCH1H102J	CHIP C 1000PF J		C496			CK73HB1E103K	CHIP C 0.010UF K	
C250			CC73HCH1H102J	CHIP C 1000PF J		C497,498			CK73FB0J226M	CHIP C 22UF M	
C251,252			CC73HCH1H221J	CHIP C 220PF J		C504,505			CK73HB1H472K	CHIP C 4700PF K	
C253			CC73HCH1H102J	CHIP C 1000PF J		C506,507			CC73HCH1H102J	CHIP C 1000PF J	
C254,255			CC73HCH1H221J	CHIP C 220PF J		C510			CC73HCH1H102J	CHIP C 1000PF J	
C256			CK73HB1A104K	CHIP C 0.10UF K		C511			CK73GB0J106M	CHIP C 10UF M	

E1 : DDX8022BT E2 : DDX8022BTY E3 : DNX8220BT (Europe)
K : DDX812 K1 : DNX8120 (North America)
X1 : DDX8032BT (Australia) R1 : DDX8032BT (Latin America)
M1 : DDX8032BT M3 : DDX8032BTM (Other Areas)

△ Indicates safety critical components.

PARTS LIST

DVD UNIT (X37-1120-06) IN DVD MECHA.

Ref. No.	Add	New	Parts No.	Description	Destination
C512			CK73HB0J105K	CHIP C 1.0UF K	
C513-515			CK73HB1A104K	CHIP C 0.10UF K	
C516			CK73HB1C333K	CHIP C 0.033UF K	
C517			CK73HB1E103K	CHIP C 0.010UF K	
C518,519			CC73HCH1H470J	CHIP C 47PF J	
C520			CC73HCH1H102J	CHIP C 1000PF J	
C521			CK73HB0J105K	CHIP C 1.0UF K	
C522			CC73HCH1H151J	CHIP C 150PF J	
C523			CC73HCH1H471J	CHIP C 470PF J	
C524			CC73HCH1H102J	CHIP C 1000PF J	
C525			CK73HB1E103K	CHIP C 0.010UF K	
C526			CC73HCH1H151J	CHIP C 150PF J	
C527			CC73HCH1H471J	CHIP C 470PF J	
C528			CC73HCH1H102J	CHIP C 1000PF J	
C529			CK73HB1E103K	CHIP C 0.010UF K	
C530			CK73HB0J105K	CHIP C 1.0UF K	
CN1			E41-2594-05	FLAT CABLE CONNECTOR	
CN3			E41-2596-05	FLAT CABLE CONNECTOR	
CN6			E41-2603-05	FLAT CABLE CONNECTOR	
CN10			E41-2602-05	FLAT CABLE CONNECTOR	
L1			L92-0365-05	CHIP FERRITE	
L2-4			L92-0612-05	CHIP FERRITE	
L5,6			L92-0611-05	CHIP FERRITE	
L7,8			L92-0612-05	CHIP FERRITE	
L10			L33-2281-05	SMALL FIXED INDUCTOR	
L11			L33-2280-05	SMALL FIXED INDUCTOR	
L12-14			L92-0365-05	CHIP FERRITE	
L15			L92-0612-05	CHIP FERRITE	
L20			L92-0617-05	CHIP FERRITE	
L21			L92-0612-05	CHIP FERRITE	
L22			L92-0838-05	CHIP FERRITE	
X1			L77-2924-05	CRYSTAL RESONATOR (27MHZ,30PPM)	
CP1-9			RK74HB1J470J	CHIP-COM 47 J 1/16W	
CP36,37			RK74HB1J103J	CHIP-COM 10K J 1/16W	
CP44,45			RK74HB1J330J	CHIP-COM 33 J 1/16W	
CP54-56			RK74HB1J330J	CHIP-COM 33 J 1/16W	
CP57			RK74HB1J820J	CHIP-COM 82 J 1/16W	
CP58			RK74HB1J330J	CHIP-COM 33 J 1/16W	
CP59-68			RK74HB1J103J	CHIP-COM 10K J 1/16W	
CP69			RK74HB1J220J	CHIP-COM 22 J 1/16W	
CP70-73			RK74HB1J103J	CHIP-COM 10K J 1/16W	
R1-4			RK73HB1J103J	CHIP R 10K J 1/16W	
R5,6			RK73HH1J123D	CHIP R 12K D 1/16W	
R10			RK73HB1J163J	CHIP R 16K J 1/16W	
R16			RK73HB1J103J	CHIP R 10K J 1/16W	
R17			RK73HB1J271J	CHIP R 270 J 1/16W	
R19			RK73HB1J301J	CHIP R 300 J 1/16W	
R21,22			RK73HH1J103D	CHIP R 10K D 1/16W	
R24			RK73HB1J4R7J	CHIP R 4.7 J 1/16W	
R79			RK73HB1J102J	CHIP R 1.0K J 1/16W	
R80			RK73HB1J220J	CHIP R 22 J 1/16W	
R81			RK73HB1J470J	CHIP R 47 J 1/16W	
R84,85			RK73HB1J202J	CHIP R 2.0K J 1/16W	

Ref. No.	Add	New	Parts No.	Description	Destination
R86			RK73HB1J105J	CHIP R 1.0M J 1/16W	
R87			RK73HB1J102J	CHIP R 1.0K J 1/16W	
R89			RK73HH1J303D	CHIP R 30K D 1/16W	
R90			RK73HB1J223J	CHIP R 22K J 1/16W	
R91			RK73HB1J470J	CHIP R 47 J 1/16W	
R92			RK73HH1J123D	CHIP R 12K D 1/16W	
R94			RK73HH1J512D	CHIP R 5.1K D 1/16W	
R111			RK73HB1J220J	CHIP R 22 J 1/16W	
R112,113			RK73HB1J101J	CHIP R 100 J 1/16W	
R116			RK73HB1J103J	CHIP R 10K J 1/16W	
R119			RK73HB1J103J	CHIP R 10K J 1/16W	
R121			RK73HB1J182J	CHIP R 1.8K J 1/16W	
R122			RK73HB1J472J	CHIP R 4.7K J 1/16W	
R131			RK73HB1J220J	CHIP R 22 J 1/16W	
R150,151			RK73HB1J100J	CHIP R 10 J 1/16W	
R152,153			RK73HB1J471J	CHIP R 470 J 1/16W	
R154,155			RK73HB1J751J	CHIP R 750 J 1/16W	
R156,157			RK73HB1J560J	CHIP R 56 J 1/16W	
R158,159			RK73HB1J2R2J	CHIP R 2.2 J 1/16W	
R162,163			RK73HB1J104J	CHIP R 100K J 1/16W	
R164,165			RK73HH1J101D	CHIP R 100 D 1/16W	
R200-203			RK73HH1J201D	CHIP R 200 D 1/16W	
R204-207			RK73HH1J151D	CHIP R 150 D 1/16W	
R208			RK73HB1J4R7J	CHIP R 4.7 J 1/16W	
R251			RK73HB1J1R0J	CHIP R 1.0 J 1/16W	
R254			RK73HH1J912D	CHIP R 9.1K D 1/16W	
R255			RK73HH1J752D	CHIP R 7.5K D 1/16W	
R256			RK73HH1J331D	CHIP R 330 D 1/16W	
R257			RK73HH1J912D	CHIP R 9.1K D 1/16W	
R258			RK73HH1J752D	CHIP R 7.5K D 1/16W	
R259			RK73HH1J331D	CHIP R 330 D 1/16W	
R260			RK73HH1J912D	CHIP R 9.1K D 1/16W	
R261			RK73HH1J752D	CHIP R 7.5K D 1/16W	
R262			RK73HH1J331D	CHIP R 330 D 1/16W	
R263			RK73HH1J912D	CHIP R 9.1K D 1/16W	
R264			RK73HH1J752D	CHIP R 7.5K D 1/16W	
R265			RK73HH1J331D	CHIP R 330 D 1/16W	
R266,267			RK73HH1J101D	CHIP R 100 D 1/16W	
R269			RK73HB1J100J	CHIP R 10 J 1/16W	
R275,276			RK73HB1J472J	CHIP R 4.7K J 1/16W	
R300,301			RK73HH1J472D	CHIP R 4.7K D 1/16W	
R302,303			RK73HH1J183D	CHIP R 18K D 1/16W	
R304			RK73HH1J202D	CHIP R 2.0K D 1/16W	
R305			RK73HB1J163J	CHIP R 16K J 1/16W	
R350,351			RK73HB1J4R7J	CHIP R 4.7 J 1/16W	
R400-402			RK73HB1J470J	CHIP R 47 J 1/16W	
R409			RK73HB1J470J	CHIP R 47 J 1/16W	
R410,411			RK73HB1J102J	CHIP R 1.0K J 1/16W	
R450			RK73HB1J202J	CHIP R 2.0K J 1/16W	
R458			RK73HB1J220J	CHIP R 22 J 1/16W	
R464,465			RK73HH1J101D	CHIP R 100 D 1/16W	
R467			RK73HB1J470J	CHIP R 47 J 1/16W	
R468-470			RK73HB1J103J	CHIP R 10K J 1/16W	
R471			RK73HB1J820J	CHIP R 82 J 1/16W	
R472,473			RK73HB1J330J	CHIP R 33 J 1/16W	

E1 : DDX8022BT E2 : DDX8022BTY E3 : DNX8220BT (Europe)
K : DDX812 K1 : DNX8120 (North America)
X1 : DDX8032BT (Australia) R1 : DDX8032BT (Latin America)
M1 : DDX8032BT M3 : DDX8032BTM (Other Areas)

△Indicates safety critical components.

PARTS LIST

DVD UNIT (X37-1120-06) IN DVD MECHA.

Ref. No.	Add	New	Parts No.	Description	Destination
R475			R92-3350-05	CHIP R 2.2 F 1/10W	
R476			R92-5112-05	CHIP R 4.7 F 1/10W	
R477			RK73GH2A111D	CHIP R 110 D 1/10W	
R478			RK73HH1J472D	CHIP R 4.7K D 1/16W	
R480			RK73HH1J202D	CHIP R 2.0K D 1/16W	
R481			RK73HH1J203D	CHIP R 20K D 1/16W	
R482-484			RK73HB1J820J	CHIP R 82 J 1/16W	
R485			RK73HB1J102J	CHIP R 1.0K J 1/16W	
R486,487			RK73HB1J103J	CHIP R 10K J 1/16W	
R489			RK73HB1J220J	CHIP R 22 J 1/16W	
R491-493			RK73HB1J751J	CHIP R 750 J 1/16W	
R496,497			RK73HB1J102J	CHIP R 1.0K J 1/16W	
R498			RK73HB1J101J	CHIP R 100 J 1/16W	
R501			RK73HH1J132D	CHIP R 1.3K D 1/16W	
R502			RK73HH1J333D	CHIP R 33K D 1/16W	
R503			RK73HH1J203D	CHIP R 20K D 1/16W	
R504			RK73HB1J242J	CHIP R 2.4K J 1/16W	
R505			RK73HB1J821J	CHIP R 820 J 1/16W	
R507			RK73HB1J103J	CHIP R 10K J 1/16W	
R508			RK73HB1J225J	CHIP R 2.2M J 1/16W	
R509			RK73HB1J102J	CHIP R 1.0K J 1/16W	
R510			RK73HB1J103J	CHIP R 10K J 1/16W	
R511			RK73HB1J473J	CHIP R 47K J 1/16W	
R512,513			RK73HB1J103J	CHIP R 10K J 1/16W	
R514-517			RK73HB1J220J	CHIP R 22 J 1/16W	
R518-522			RK73HB1J103J	CHIP R 10K J 1/16W	
R523,524			RK73HB1J4R7J	CHIP R 4.7 J 1/16W	
R525			RK73HB1J000J	CHIP R 0.0 J 1/16W	
R530			RK73HB1J000J	CHIP R 0.0 J 1/16W	
R531			RK73HB1J471J	CHIP R 470 J 1/16W	
R532			RK73HB1J472J	CHIP R 4.7K J 1/16W	
R533			RK73HH1J683D	CHIP R 68K D 1/16W	
R535-538			RK73HH1J821D	CHIP R 820 D 1/16W	
R539			RK73HB1J4R7J	CHIP R 4.7 J 1/16W	
R541			RK73HH1J122D	CHIP R 1.2K D 1/16W	
R544-559			RK73HB1J2R2J	CHIP R 2.2 J 1/16W	
R560			RK73HB1J000J	CHIP R 0.0 J 1/16W	
R561,562			RK73HH1J682D	CHIP R 6.8K D 1/16W	
R563			RK73HH1J122D	CHIP R 1.2K D 1/16W	
R564			RK73HB1J4R7J	CHIP R 4.7 J 1/16W	
R574-576			RK73HB1J000J	CHIP R 0.0 J 1/16W	
R583,584			RK73HH1J391D	CHIP R 390 D 1/16W	
R588			R92-5112-05	CHIP R 4.7 F 1/10W	
R591			RK73HB1J820J	CHIP R 82 J 1/16W	
R599,600			RK73HB1J103J	CHIP R 10K J 1/16W	
R601-604			RK73HB1J102J	CHIP R 1.0K J 1/16W	
R605,606			RK73HB1J103J	CHIP R 10K J 1/16W	
R614			RK73HH1J102D	CHIP R 1.0K D 1/16W	
R615			RK73HB1J1R0J	CHIP R 1.0 J 1/16W	
R617			RK73HB1J000J	CHIP R 0.0 J 1/16W	
R619			RK73HB1J513J	CHIP R 51K J 1/16W	
R620			RK73HB1J333J	CHIP R 33K J 1/16W	
R621			RK73HB1J103J	CHIP R 10K J 1/16W	
R622			RK73HB1J333J	CHIP R 33K J 1/16W	
R623			RK73HB1J220J	CHIP R 22 J 1/16W	

Ref. No.	Add	New	Parts No.	Description	Destination
R624-626			RK73HH1J332D	CHIP R 3.3K D 1/16W	
R627			RK73HB1J103J	CHIP R 10K J 1/16W	
R628,629			R92-5147-05	CHIP R 1.2 D 1/4W	
R630,631			R92-5146-05	CHIP R 1.0 D 1/4W	
R632			RK73HH1J270D	CHIP R 27 D 1/16W	
R633			RK73HB1J472J	CHIP R 4.7K J 1/16W	
R634			RK73HB1J103J	CHIP R 10K J 1/16W	
R636			RK73HB1J220J	CHIP R 22 J 1/16W	
R638-645			RK73HB1J2R2J	CHIP R 2.2 J 1/16W	
S1			S68-0911-15	PUSH SWITCH	
S2			S68-0914-05	PUSH SWITCH	
D5,6			015AZ5.1-F(Y)	ZENER DIODE	
D7			1SS402-F	DIODE	
IC1			MN2DS0016AAUB	MOS-IC	
IC5			-	ROM IC	
IC9			-	ROM IC	
IC10			AN41250A-VB	ANALOGUE IC	
IC12			MM1671XNRE	ANALOGUE IC	
IC15			AK4396VF	MOS-IC	
IC21			-	MOS-IC	
IC39			NJU7042	ANALOGUE IC	
IC42			TC74VHC273FT	MOS-IC	
IC49			TC7SG04FU-F	MOS-IC	
IC50,51			NJM4580V-ZB	ANALOGUE IC	
IC54		*	HY139S12816F7	DRAM IC	
IC55			TC7WH32FU-F	MOS-IC	
IC56			HD74LV1GW57AE	MOS-IC	
IC57			NJM2573V-ZB	ANALOGUE IC	
IC60			-	ANALOGUE IC	
Q1-4			DTA143XE	DIGITAL TRANSISTOR	
Q10,11			2SC4617	TRANSISTOR	
Q12,13			2SB1709	TRANSISTOR	
Q14,15			2SK3019	FET	
Q20,21			2SK3019	FET	
Q24			SSM3J15FU-F	FET	
Q25			DTA143XE	DIGITAL TRANSISTOR	
Q27			DTA143ZE	DIGITAL TRANSISTOR	
Q28,29			2SA1774	TRANSISTOR	
DIGITAL I/O UNIT (X88-2030-10)					
C100,101			CC73HCH1H101J	CHIP C 100PF J	
C102-105			CK73HB1A104K	CHIP C 0.10UF K	
C106			CK73FB0J106K	CHIP C 10UF K	
C107-110			CK73HB1A104K	CHIP C 0.10UF K	
C112			CK73EB0J226K	CHIP C 22UF K	
C113			C92-1983-05	ELECTRO 100UF 4WV	
C114-124			CK73HB1A104K	CHIP C 0.10UF K	
C126-130			CK73HB1A104K	CHIP C 0.10UF K	
C133,134			CK73FB0J106K	CHIP C 10UF K	
C135			CK73HB1A104K	CHIP C 0.10UF K	
C138,139			CC73HCH1H100D	CHIP C 10PF D	
C140			CK73HB0J105K	CHIP C 1.0UF K	
C142			CE32BN0J221M	CHIP EL 220UF 6.3WV	
C143			CK73HB0J105K	CHIP C 1.0UF K	
C144			CK73HB1A104K	CHIP C 0.10UF K	

E1 : DDX8022BT E2 : DDX8022BTY E3 : DNX8220BT (Europe)
K : DDX812 K1 : DNX8120 (North America)
X1 : DDX8032BT (Australia) R1 : DDX8032BT (Latin America)
M1 : DDX8032BT M3 : DDX8032BTM (Other Areas)

△ Indicates safety critical components.

The IC5,9,21 and IC60 in the DVD unit (X37-1120-06) are not replaceable components. When these ICs are defective, replace the whole DVD mechanism assembly (X92-6180-01).

PARTS LIST

DIGITAL I/O UNIT (X88-2030-10)

Ref. No.	A d d	N e w	Parts No.	Description	Desti- nation	Ref. No.	A d d	N e w	Parts No.	Description	Desti- nation
C148			CE32BN0J221M	CHIP EL 220UF 6.3WV		R9,10			RK73HB1J220J	CHIP R 22 J 1/16W	
C149			CK73HB1A104K	CHIP C 0.10UF K		R12			RK73HB1J000J	CHIP R 0.0 J 1/16W	
C153			CK73HB0J105K	CHIP C 1.0UF K		R13			RK73HB1J473J	CHIP R 47K J 1/16W	
C154			CK73HB1A104K	CHIP C 0.10UF K		R14			RK73HB1J561J	CHIP R 560 J 1/16W	
C200			CC73HCH1H220J	CHIP C 22PF J		R15,16			RK73EB2E000J	CHIP R 0.0 J 1/4W	
C201			CK73HB1A104K	CHIP C 0.10UF K		R17,18			RK73HB1J153J	CHIP R 15K J 1/16W	
C202			CC73HCH1H220J	CHIP C 22PF J		R24			RK73HB1J220J	CHIP R 22 J 1/16W	
C217-226			CK73HB1A104K	CHIP C 0.10UF K		R29			RK73HB1J473J	CHIP R 47K J 1/16W	
C227,228			CK73FB0J106K	CHIP C 10UF K		R30			RK73HB1J472J	CHIP R 4.7K J 1/16W	
C233-236			CK73HB1A104K	CHIP C 0.10UF K		R32			RK73HB1J472J	CHIP R 4.7K J 1/16W	
C244			CK73FB0J106K	CHIP C 10UF K		R33			RK73HB1J473J	CHIP R 47K J 1/16W	
C264			CK73HB1A104K	CHIP C 0.10UF K		R34-37			RK73FB2B330J	CHIP R 33 J 1/8W	
C275			CK73FB0J106K	CHIP C 10UF K		R104			RK73HB1J330J	CHIP R 33 J 1/16W	
C309-312			CK73HB1A104K	CHIP C 0.10UF K		R105			RK73HB1J103J	CHIP R 10K J 1/16W	
C318			CK73HB1A104K	CHIP C 0.10UF K		R107-109			RK73HB1J103J	CHIP R 10K J 1/16W	
C322			CK73HB1A104K	CHIP C 0.10UF K		R112			RK73HB1J222J	CHIP R 2.2K J 1/16W	
C329			CC73HCH1H270J	CHIP C 27PF J		R115			RK73HB1J222J	CHIP R 2.2K J 1/16W	
C331			CK73FB0J106K	CHIP C 10UF K		R116			RK73HB1J103J	CHIP R 10K J 1/16W	
C332			CK73HB1A104K	CHIP C 0.10UF K		R118			RK73HB1J103J	CHIP R 10K J 1/16W	
C336			CK73FB0J106K	CHIP C 10UF K		R121			RK73HB1J222J	CHIP R 2.2K J 1/16W	
C337,338			CK73HB1H152K	CHIP C 1500PF K		R123			RK73HB1J222J	CHIP R 2.2K J 1/16W	
C340,341			CC73HCH1H331J	CHIP C 330PF J		R124			RK73HB1J473J	CHIP R 47K J 1/16W	
C342			CK73HB1E103K	CHIP C 0.010UF K		R126			RK73HB1J473J	CHIP R 47K J 1/16W	
C456			CK73EB1A106K	CHIP C 10UF K		R129			RK73HB1J222J	CHIP R 2.2K J 1/16W	
C460			CK73HB1A104K	CHIP C 0.10UF K		R130,131			RK73HB1J220J	CHIP R 22 J 1/16W	
C468			CK73FB0J106K	CHIP C 10UF K		R134			RK73HB1J220J	CHIP R 22 J 1/16W	
C482			CK73GB1H222K	CHIP C 2200PF K		R139			RK73HB1J105J	CHIP R 1.0M J 1/16W	
C601,602			CC73HCH1H470J	CHIP C 47PF J		R140			RK73HB1J222J	CHIP R 2.2K J 1/16W	
C700-713			CK73HB1H222K	CHIP C 2200PF K		R141,142			RK73EB2E000J	CHIP R 0.0 J 1/4W	
C715			CK73HB1A104K	CHIP C 0.10UF K		R145,146			RK73HB1J153J	CHIP R 15K J 1/16W	
C900			CK73HB1H222K	CHIP C 2200PF K		R147			RK73HB1J220J	CHIP R 22 J 1/16W	
C901,902			CK73HB1H102K	CHIP C 1000PF K		R148			RK73HB1J473J	CHIP R 47K J 1/16W	
C903,904			CK73HB1H222K	CHIP C 2200PF K		R149			RK73HB1J472J	CHIP R 4.7K J 1/16W	
C905			CK73HB1H102K	CHIP C 1000PF K		R150			RK73HB1J220J	CHIP R 22 J 1/16W	
C906			CK73FB0J106K	CHIP C 10UF K		R153			RK73HB1J000J	CHIP R 0.0 J 1/16W	
C907,908			CK73HB1A104K	CHIP C 0.10UF K		R157-159			RK73HB1J220J	CHIP R 22 J 1/16W	
C909			CK73FB0J106K	CHIP C 10UF K		R163			RK73HB1J220J	CHIP R 22 J 1/16W	
C910			CK73HB1C473K	CHIP C 0.047UF K		R164,165			RK73HB1J470J	CHIP R 47 J 1/16W	
C912			CK73HB1A104K	CHIP C 0.10UF K		R166-169			RK73HB1J220J	CHIP R 22 J 1/16W	
CN101			E41-2839-05	PIN ASSY		R170,171			RK73HB1J330J	CHIP R 33 J 1/16W	
CN210			E41-2195-05	FLAT CABLE CONNECTOR		R172,173			RK73HB1J680J	CHIP R 68 J 1/16W	
CN328			E41-2237-05	FLAT CABLE CONNECTOR		R174,175			RK73HB1J470J	CHIP R 47 J 1/16W	
L900-903			L92-0321-05	CHIP FERRITE		R176			RK73HB1J220J	CHIP R 22 J 1/16W	
X100			L77-2941-05	CRYSTAL RESONATOR (14.7456MHZ)		R177-192			RK73HB1J473J	CHIP R 47K J 1/16W	
X202			L77-2917-15	CRYSTAL RESONATOR (32.768KHZ)		R193-198			RK73HB1J220J	CHIP R 22 J 1/16W	
CP104-109			RK74HB1J220J	CHIP-COM 22 J 1/16W		R199			RK73HB1J473J	CHIP R 47K J 1/16W	
CP117-127			RK74HB1J220J	CHIP-COM 22 J 1/16W		R200			RK73HB1J330J	CHIP R 33 J 1/16W	
CP128-134			RK74HB1J103J	CHIP-COM 10K J 1/16W		R202			RK73HB1J106J	CHIP R 10M J 1/16W	
CP135-138			RK74HB1J220J	CHIP-COM 22 J 1/16W		R203			RK73HB1J334J	CHIP R 330K J 1/16W	
CP139-142			RK74HB1J330J	CHIP-COM 33 J 1/16W		R219-221			RK73HB1J472J	CHIP R 4.7K J 1/16W	
CP143-146			RK74HB1J680J	CHIP-COM 68 J 1/16W		R223			RK73HB1J473J	CHIP R 47K J 1/16W	
CP147-154			RK74HB1J103J	CHIP-COM 10K J 1/16W		R248-250			RK73HB1J473J	CHIP R 47K J 1/16W	
CP155-160			RK74HB1J220J	CHIP-COM 22 J 1/16W		R255			RK73HB1J104D	CHIP R 100K D 1/16W	
R1,2			RK73HB1J473J	CHIP R 47K J 1/16W		R258-260			RK73HB1J473J	CHIP R 47K J 1/16W	
						R265-270			RK73HB1J472J	CHIP R 4.7K J 1/16W	

E1 : DDX8022BT E2 : DDX8022BTY E3 : DNX8220BT (Europe)
K : DDX812 K1 : DNX8120 (North America)
X1 : DDX8032BT (Australia) R1 : DDX8032BT (Latin America)
M1 : DDX8032BT M3 : DDX8032BTM (Other Areas)

△Indicates safety critical components.

PARTS LIST

DIGITAL I/O UNIT (X88-2030-10)

Ref. No.	Add	New	Parts No.	Description	Destination
R273			RK73HB1J000J	CHIP R 0.0 J 1/16W	
R284-287			RK73HB1J473J	CHIP R 47K J 1/16W	
R291			RK73HB1J330J	CHIP R 33 J 1/16W	
R292-295			RK73HB1J473J	CHIP R 47K J 1/16W	
R297			RK73HB1J103J	CHIP R 10K J 1/16W	
R304,305			RK73HB1J103J	CHIP R 10K J 1/16W	
R308			RK73HB1J103J	CHIP R 10K J 1/16W	
R310			RK73HB1J103J	CHIP R 10K J 1/16W	
R320-322			RK73HB1J103J	CHIP R 10K J 1/16W	
R324,325			RK73HB1J123J	CHIP R 12K J 1/16W	
R326,327			RK73HB1J752J	CHIP R 7.5K J 1/16W	
R328,329			RK73HB1J392J	CHIP R 3.9K J 1/16W	
R332,333			RK73HB1J151J	CHIP R 150 J 1/16W	
R438			RK73HB1J103J	CHIP R 10K J 1/16W	
R440			RK73HB1J103J	CHIP R 10K J 1/16W	
R481,482			RK73HB1J000J	CHIP R 0.0 J 1/16W	
R485-487			RK73HB1J000J	CHIP R 0.0 J 1/16W	
R506,507			RK73HB1J000J	CHIP R 0.0 J 1/16W	
R522			RK73HB1J680J	CHIP R 68 J 1/16W	
R523			RK73HB1J000J	CHIP R 0.0 J 1/16W	
R600,601			RK73HB1J220J	CHIP R 22 J 1/16W	
R602,603			RK73HB1J153J	CHIP R 15K J 1/16W	
R604,605			RK73EB2E000J	CHIP R 0.0 J 1/4W	
R701			RK73HB1J000J	CHIP R 0.0 J 1/16W	
R703			RK73GB2A106J	CHIP R 10M J 1/10W	
R705			RK73HB1J331J	CHIP R 330 J 1/16W	
R707,708			RK73EB2E000J	CHIP R 0.0 J 1/4W	
R710			RK73EB2E000J	CHIP R 0.0 J 1/4W	
R713-715			RK73EB2E000J	CHIP R 0.0 J 1/4W	
R903			RK73HB1J000J	CHIP R 0.0 J 1/16W	
R910-912			RK73HB1J473J	CHIP R 47K J 1/16W	
R917			RK73EB2E000J	CHIP R 0.0 J 1/4W	
R918			RK73HB1J222J	CHIP R 2.2K J 1/16W	
R919			RK73FB2B000J	CHIP R 0.0 J 1/8W	
R923			RK73HB1J000J	CHIP R 0.0 J 1/16W	
R926			RK73GB2A106J	CHIP R 10M J 1/10W	
R927,928			RK73HB1J472J	CHIP R 4.7K J 1/16W	
R929			RK73HB1J000J	CHIP R 0.0 J 1/16W	
R930			RK73EB2E000J	CHIP R 0.0 J 1/4W	
R931			RK73HB1J000J	CHIP R 0.0 J 1/16W	
R933,934			RK73HB1J103J	CHIP R 10K J 1/16W	
D102,103			AVRL1613R3FTA	VARISTOR	
D106,107			AVRL1613R3FTA	VARISTOR	
IC100,101			MIC2005-08YM6	MOS-IC	
IC104	*		74HC1G86GW	MOS-IC	
IC105			SI-3018KM	ANALOGUE IC	
IC106			-	MICROPROCESSOR IC	
IC108			74AHC1G04GW	MOS-IC	
IC200			TC7WHU04FU-F	MOS-IC	
IC202,203			MT48LC16M16P75	DRAM IC	
IC207			341S2094	MICROPROCESSOR IC	
IC211	*		GL256N10TF0A3	ROM IC	
IC302			BH7240AKV	MOS-IC	
IC305			NJM2100V-ZB	ANALOGUE IC	

Ref. No.	Add	New	Parts No.	Description	Destination
IC901			PCM1754DB	MOS-IC	
IC902			TAR5S50-F	ANALOGUE IC	
IC903			TC7WH08FK-F	MOS-IC	
DAUGHTER UNIT (X89-3062-71)					
C1			CC73GCH1H180J	CHIP C 18PF J	E3
C2			CC73GCH1H070D	CHIP C 7.0PF D	E3
C3			CC73GCH1H150J	CHIP C 15PF J	E3
C4			CC73GCH1H180J	CHIP C 18PF J	E3
C5			CC73GCH1H390J	CHIP C 39PF J	E3
C6			CC73GCH1H020C	CHIP C 2.0PF C	E3
C7			CC73GCH1H120J	CHIP C 12PF J	E3
C8			CK73FB1C105K	CHIP C 1.0UF K	E3
C10-12			CC73GCH1H102J	CHIP C 1000PF J	E3
C13			CC73GCH1H221J	CHIP C 220PF J	E3
C14			CC73GCH1H030C	CHIP C 3.0PF C	E3
C15,16			CC73GCH1H560J	CHIP C 56PF J	E3
C17			CC73GCH1H102J	CHIP C 1000PF J	E3
CN2		*	E41-3009-05	PIN ASSY	E3
W1		*	E30-6804-05	CORD WITH PLUG (JASO)	E3
W2		*	E30-6805-05	CORD WITH PLUG (PIN)	E3
L1			L41-2705-33	SMALL FIXED INDUCTOR (27U)	E3
L2			L41-1588-18	SMALL FIXED INDUCTOR	E3
L3			L41-1805-33	SMALL FIXED INDUCTOR (18U)	E3
L4,5			L41-1588-18	SMALL FIXED INDUCTOR	E3
L6		*	L19-0825-05	BALUN TRANSFORMER	E3
L8		*	L41-1888-18	SMALL FIXED INDUCTOR (0.18U)	E3
R1			RK73GB2A104J	CHIP R 100K J 1/10W	E3
R3			RK73GB2A562J	CHIP R 5.6K J 1/10W	E3
R4			RK73GB2A332J	CHIP R 3.3K J 1/10W	E3
R5			RK73GB2A331J	CHIP R 330 J 1/10W	E3
R6			RK73GB2A391J	CHIP R 390 J 1/10W	E3
R7,8			RK73GB2A330J	CHIP R 33 J 1/10W	E3
R10			RK73GB2A431J	CHIP R 430 J 1/10W	E3
R11			RK73GB2A270J	CHIP R 27 J 1/10W	E3
R12			RK73GB2A431J	CHIP R 430 J 1/10W	E3
R13			RK73GB2A151J	CHIP R 150 J 1/10W	E3
R14			RK73GB2A431J	CHIP R 430 J 1/10W	E3
R15			RK73GB2A270J	CHIP R 27 J 1/10W	E3
R17			RK73GB2A431J	CHIP R 430 J 1/10W	E3
D1			IMSA-6801-E	SURGE ABSORBER	E3
Q1			2SC3357-A	TRANSISTOR	E3
DVD MECHANISM ASSY (X92-6180-01) (DVS-8561V)					
1	1A	*	A10-5331-61	CHASSIS	
2	2B		A10-5332-51	CHASSIS	
3	1A		A10-5333-31	CHASSIS	
4	3A		A10-5460-02	CHASSIS	
7	1B		D10-4918-22	ARM	
8	1B		D10-4919-22	ARM	
9	1B		D10-4920-02	LEVER	
10	1B		D10-4921-02	LEVER	
12	2B		D10-4922-12	SLIDER	
13	2A		D10-7011-02	ARM	

E1 : DDX8022BT **E2** : DDX8022BTY **E3** : DNX8220BT (Europe)
K : DDX812 **K1** : DNX8120 (North America)
X1 : DDX8032BT (Australia) **R1** : DDX8032BT (Latin America)
M1 : DDX8032BT **M3** : DDX8032BTM (Other Areas)

△ Indicates safety critical components.

The IC106 in the Digital I/O unit (X88-2030-10) are not replaceable components. When this IC are defective, replace the whole Digital I/O unit (X88-2030-10).

SPECIFICATIONS (K/R TYPE)

Monitor section

Picture Size	6.95 inches (diagonal) wide 156.2 mm (W) x 82.4 mm (H)
Display System.....	Transparent TN LCD panel
Drive System	TFT active matrix system
Number of Pixels	336,960 (480H x 234V x RGB)
Effective Pixels	99.99 %
Pixel Arrangement	RGB striped arrangement
Back Lighting	Cold Cathode Fluorescent Tube

DVD player section

D/A Converter.....	24 bit
Audio Decoder	Linear PCM/ Dolby Prologic II/ Dolby Digital/ dts/MLP/ MP3/ WMA/ AAC
Video Decoder.....	MPEG1/ MPEG2/ MPEG4 (DivX)
Wow & Flutter	Below Measurable Limit
Frequency Response	
Sampling frequency; 192 kHz.....	20 – 88,000 Hz
Sampling frequency; 176.4 kHz.....	20 – 80,000 Hz
Sampling frequency; 96 kHz.....	20 – 44,000 Hz
Sampling frequency; 88.2 kHz.....	20 – 40,000 Hz
Sampling frequency; 48 kHz.....	20 – 22,000 Hz
Sampling frequency; 44.1 kHz.....	20 – 20,000 Hz
Total Harmonic Distortion.....	0.008 % (1 kHz)
S/N Ratio (dB).....	98 dB (DVD-Audio 192 kHz)
Dynamic Range	98 dB (DVD-Audio 192 kHz)
Disc Format	DVD-Audio/Video/ VIDEO-CD/ CD-DA
Sampling Frequency	44.1/ 48/ 88.2/ 96/ 176.4/ 192 kHz
Quantifying Bit Number.....	16/ 20/ 24 bit

USB interface section

USB Standard	USB 1.1/ 2.0
File System	FAT 16/ 32
Maximum Power Supply Current	500 mA
D/A Converter.....	24 Bit
Audio Decoder	MP3/ WMA/ AAC

FM tuner section

Frequency Range (200 kHz).....	87.9 MHz – 107.9 MHz
Usable Sensitivity (S/N : 30 dB)	9.3 dBf (0.8 μ V/ 75 Ω)
Quieting Sensitivity (S/N : 50 dB)	15.2 dBf (1.6 μ V/ 75 Ω)
Frequency Response (\pm 3.0 dB).....	30 Hz – 15 kHz
S/N Ratio (dB).....	70 dB (MONO)
Selectivity (\pm 400 kHz).....	\geq 80 dB
Stereo Separation.....	40 dB (1 kHz)

AM tuner section

Frequency Range (10 kHz)	530 kHz – 1700 kHz
Usable Sensitivity	28 dB μ

Video section

Color System of External Video Input	NTSC
External Video Input Level (mini jack).....	1 Vp-p/ 75 Ω
External Audio Max Input Level (mini jack)	2 V/ 25 k Ω
Video Output Level (RCA jacks)	1 Vp-p/ 75 Ω

Audio Output Level (RCA jacks).....	1.2 V/ 10 k Ω
Analog RGB input (DDX812/DDX8032BT only)	0.7 Vp-p/ 75 Ω

Audio section

Maximum Power (Front & Rear)	50 W x 4
Full Bandwidth Power (Front & Rear) (4 Ω , 14.4 V, 1 % THD)	22 W x 4
Preout Level (V)	5 V/ 10 k Ω
Preout Impedance	80 Ω
Speaker Impedance	4 – 8 Ω

External SW

Maximum Power Supply Current	500 mA
------------------------------------	--------

Bluetooth section

Technology	Bluetooth Ver.1.2 Certified
Frequency.....	2.402 – 2.480 GHz
Output Power	+4dBm (MAX), 0dBm (AVE), Power Class2
Maximum Communication range	Line of sight approx. 10m (32.8 ft)
Profile	
HFP (Hands Free Profile), SPP (Serial Port Profile), HSP (Headset Profile), A2DP (Advanced Audio Distribution Profile), AVRCP (Audio/Video Remote Control Profile), OPP (Object Push Profile), PBAP (Phonebook Access Profile), SYNC (Synchronization Profile)	

DSP Section

Graphics equalizer	
Band	13 Band
Frequency (BAND1 – 13)	62.5/100/160/250/400/ 630/1k/1.6k/2.5k/4k/6.3k/10k/16k Hz
Front/ Rear/ Center	
Gain	-9/-7/-5/-3/-2/-1/0/1/2/3/5/7/9dB
X'over	
High pass filter:	
Frequency	Through, 30/40/50/60/70/80/90/ 100/120/150/180/220/250Hz
Slope.....	12/18/24dB/Oct
Low pass filter:	
Frequency	30/40/50/60/70/80/90/100/120/150/180/220/250Hz
Slope.....	12/18/24dB/Oct
Time alignment	
Front/ Rear/ Sub Woofer.....	0~6.1m (5cm Step) 0~20.3ft (0.17ft Step)
Center	0~3.4m (5cm Step) 0~11.3ft (0.17ft Step)
Channel level	\pm 10dB

Navigation section (DNX8120 only)

Receiver.....	High-sensitivity GPS receiver
Reception Frequency	1575.42 MHz (C/A code)
Acquisition Times	

SPECIFICATIONS (K/R TYPE)

Cold	< 38 seconds
Factory Reset.....	< 45 seconds
(On average for a stationary receiver with a clear view of the sky)	
Accuracy	
Position	< 10 meters typical
Velocity.....	0.05 m/sec. RMS
Position Method	GPS
Antenna	External GPS antenna

General

Operating voltage.....	14.4 V (10.5 – 16 V allowable)
Maximum Current Consumption.....	15 A
Dimensions (W × H × D).....	182 × 112 × 163 mm
.....	7-3/16 x 4-7/16 x 6-7/16 inch
Operational Temperature Range	-10 °C – +60 °C
Storage Temperature Range	-20 °C – +85 °C
Weight (DNX8120)	2.6 kg (5.7 lbs)
Weight (DDX812/DDX8032BT)	2.55 kg (5.6 lbs)

SPECIFICATIONS (M/X TYPE)

Monitor section

Picture Size	6.95 inches (diagonal) wide
	156.2 mm (W) x 82.4 mm (H)
Display System.....	Transparent TN LCD panel
Drive System	TFT active matrix system
Number of Pixels	336,960 (480H x 234V x RGB)
Effective Pixels	99.99 %
Pixel Arrangement	RGB striped arrangement
Back Lighting	Cold Cathode Fluorescent Tube

DVD player section

D/A Converter.....	24 bit
Audio Decoder	Linear PCM/ Dolby Prologic II/ Dolby Digital/ dts/MLP/ MP3/ WMA/ AAC
Video Decoder.....	MPEG1/ MPEG2/ MPEG4 (DivX)
Wow & Flutter	Below Measurable Limit
Frequency Response	
Sampling frequency; 192 kHz.....	20 – 88,000 Hz
Sampling frequency; 176.4 kHz.....	20 – 80,000 Hz
Sampling frequency; 96 kHz.....	20 – 44,000 Hz
Sampling frequency; 88.2 kHz.....	20 – 40,000 Hz
Sampling frequency; 48 kHz.....	20 – 22,000 Hz
Sampling frequency; 44.1 kHz.....	20 – 20,000 Hz
Total Harmonic Distortion.....	0.008 % (1 kHz)
S/N Ratio (dB).....	98 dB (DVD-Audio 192 kHz)
Dynamic Range	98 dB (DVD-Audio 192 kHz)
Disc Format	DVD-Audio/Video/ VIDEO-CD/ CD-DA
Sampling Frequency	44.1/ 48/ 88.2/ 96/ 176.4/ 192 kHz
Quantifying Bit Number	16/ 20/ 24 bit

USB interface section

USB Standard	USB 1.1/ 2.0
File System	FAT 16/ 32
Maximum Power Supply Current	500 mA
D/A Converter.....	24 Bit
Audio Decoder	MP3/ WMA/ AAC

FM tuner section

Frequency Range	
200 kHz.....	87.9 MHz – 107.9 MHz
50 kHz.....	87.5 MHz – 108.0 MHz
Usable Sensitivity (S/N : 26 dB)	9.3 dBf (0.8 μV/ 75 Ω)
Quieting Sensitivity (S/N : 46 dB)	15.2 dBf (1.6 μV/ 75 Ω)
Frequency Response (± 3.0 dB).....	30 Hz – 15 kHz
S/N Ratio (dB).....	70 dB (MONO)
Selectivity (± 400 kHz)	≥ 80 dB
Stereo Separation.....	40 dB (1 kHz)

AM tuner section

Frequency Range	
AM (10 kHz)	530 kHz – 1700 kHz
LW (9 kHz).....	153 kHz – 281 kHz
MW (9 kHz)	531 kHz – 1611 kHz
Usable Sensitivity	
AM.....	28 dBμ
LW.....	45 μV
MW.....	25 μV

Video section

Color System of External Video Input	NTSC/ PAL
External Video Input Level (mini jack).....	1 Vp-p/ 75 Ω
External Audio Max Input Level (mini jack)	2 V/ 25 kΩ
Video Output Level (RCA jacks)	1 Vp-p/ 75 Ω
Audio Output Level (RCA jacks).....	1.2 V/ 10 kΩ
Analog RGB input.....	0.7 Vp-p/ 75 Ω

Audio section

Maximum Power (Front & Rear)	50 W x 4
Full Bandwidth Power (Front & Rear)	
(at Less than 1 % THD)	22 W x 4
Preout Level (V)	5 V/ 10 kΩ
Preout Impedance	80 Ω
Speaker Impedance	4 – 8 Ω

SPECIFICATIONS (M/X TYPE)

External SW

Maximum Power Supply Current 500 mA

Bluetooth section

Technology Bluetooth Ver.1.2 Certified
 Frequency..... 2.402 – 2.480 GHz
 Output Power +4dBm (MAX), 0dBm (AVE), Power Class2
 Maximum Communication range
 Line of sight approx. 10m (32.8 ft)
 Profile
 HFP (Hands Free Profile), SPP (Serial Port Profile), HSP
 (Headset Profile), A2DP (Advanced Audio Distribution
 Profile), AVRCP (Audio/Video Remote Control Profile),
 OPP (Object Push Profile), PBAP (Phonebook Access
 Profile), SYNC (Synchronization Profile)

DSP Section

Graphics equalizer
 Band 13 Band
 Frequency (BAND1 – 13) 62.5/100/160/250/400/
 630/1k/1.6k/2.5k/4k/6.3k/10k/16k Hz
 Front/ Rear/ Center

Gain -9/-7/-5/-3/-2/-1/0/1/2/3/5/7/9dB
 X'over
 High pass filter:
 Frequency Through, 30/40/50/60/70/80/90/
 100/120/150/180/220/250Hz
 Slope..... 12/18/24dB/Oct
 Low pass filter:
 Frequency
 30/40/50/60/70/80/90/100/120/150/180/220/250Hz
 Slope..... 12/18/24dB/Oct
 Time alignment
 Front/ Rear/ Sub Woofer..... 0~6.1m (5cm Step)
 Center 0~3.4m (5cm Step)
 Channel level ±10dB

General

Operating voltage 14.4 V (10.5 – 16 V allowable)
 Maximum Current Consumption 15 A
 Dimensions (W × H × D) 182 × 112 × 163 mm
 Operational Temperature Range -10 °C – +60 °C
 Storage Temperature Range -20 °C – +85 °C
 Weight 2.55 kg

SPECIFICATIONS (E TYPE)

Monitor section

Picture Size 6.95 inches (diagonal) wide
 156.2 mm (W) x 82.4 mm (H)
 Display System..... Transparent TN LCD panel
 Drive System TFT active matrix system
 Number of Pixels 336,960 (480H x 234V x RGB)
 Effective Pixels 99.99 %
 Pixel Arrangement RGB striped arrangement
 Back Lighting Cold Cathode Fluorescent Tube

DVD player section

D/A Converter..... 24 bit
 Audio Decoder Linear PCM/ Dolby Prologic II/
 Dolby Digital/ dts/MLP/ MP3/ WMA/ AAC
 Video Decoder..... MPEG1/ MPEG2/ MPEG4 (DivX)
 Wow & Flutter Below Measurable Limit
 Frequency Response
 Sampling frequency; 192 kHz..... 20 – 88,000 Hz
 Sampling frequency; 176.4 kHz..... 20 – 80,000 Hz
 Sampling frequency; 96 kHz..... 20 – 44,000 Hz
 Sampling frequency; 88.2 kHz..... 20 – 40,000 Hz
 Sampling frequency; 48 kHz..... 20 – 22,000 Hz
 Sampling frequency; 44.1 kHz..... 20 – 20,000 Hz

Total Harmonic Distortion 0.008 % (1 kHz)
 S/N Ratio (dB)..... 98 dB (DVD-Audio 192 kHz)
 Dynamic Range 98 dB (DVD-Audio 192 kHz)
 Disc Format DVD-Audio/Video/ VIDEO-CD/ CD-DA
 Sampling Frequency 44.1/ 48/ 88.2/ 96/ 176.4/ 192 kHz
 Quantifying Bit Number 16/ 20/ 24 bit

USB interface section

USB Standard USB 1.1/ 2.0
 File System FAT 16/ 32
 Maximum Power Supply Current 500 mA
 D/A Converter..... 24 Bit
 Audio Decoder MP3/ WMA/ AAC

FM tuner section

Frequency Range (50 kHz) 87.5 MHz – 108.0 MHz
 Usable Sensitivity (S/N : 26 dB) 0.8 μV/ 75 Ω
 Quieting Sensitivity (S/N : 46 dB) 1.6 μV/ 75 Ω
 Frequency Response (± 3.0 dB) 30 Hz – 15 kHz
 S/N Ratio (dB)..... 65 dB (MONO)
 Selectivity (± 400 kHz) ≥ 80 dB
 Stereo Separation..... 35 dB (1 kHz)

SPECIFICATIONS (E TYPE)

AM tuner section

Frequency Range (9 kHz)	
LW.....	153 kHz – 281 kHz
MW.....	531 kHz – 1611 kHz
Usable Sensitivity	
LW.....	35 μ V
MW.....	50 μ V

Video section

Color System of External Video Input	NTSC/ PAL
External Video Input Level (RCA jack).....	1 Vp-p/ 75 Ω
External Audio Max Input Level (RCA jack).....	2 V/ 25 k Ω
Video Output Level (RCA jacks)	1 Vp-p/ 75 Ω
Audio Output Level (RCA jacks)	1.2 V/ 10 k Ω
Analog RGB input (DDX8022BT only)	0.7 Vp-p/ 75 Ω

Audio section

Maximum Power (Front & Rear)	50 W x 4
Full Bandwidth Power (Front & Rear)	
(PWR DIN45324, +B=14.4v)	30 W x 4
Preout Level (V)	5 V/ 10 k Ω
Preout Impedance	\leq 80 Ω
Speaker Impedance	4 – 8 Ω
Tone action	
Bass	100 Hz \pm 8 dB
Middle	1 kHz \pm 8 dB
Treble	10 kHz \pm 8 dB

External SW

Maximum Power Supply Current	500 mA
------------------------------------	--------

Bluetooth section

Technology	Bluetooth Ver.1.2 Certified
Frequency.....	2.402 – 2.480 GHz
Output Power	+4dBm (MAX), 0dBm (AVE), Power Class2
Maximum Communication range	
.....	Line of sight approx. 10m (32.8 ft)
Profile	
HFP (Hands Free Profile), SPP (Serial Port Profile), HSP (Headset Profile), A2DP (Advanced Audio Distribution Profile), AVRCP (Audio/Video Remote Control Profile), OPP (Object Push Profile), PBAP (Phonebook Access Profile), SYNC (Synchronization Profile)	

DSP Section

Graphics equalizer	
Band	13 Band
Frequency (BAND1 – 13)	62.5/100/160/250/400/630/1k/1.6k/2.5k/4k/6.3k/10k/16k Hz
	Front/ Rear/ Center
Gain	-9/-7/-5/-3/-2/-1/0/1/2/3/5/7/9dB
X'over	
High pass filter:	
Frequency	Through, 30/40/50/60/70/80/90/100/120/150/180/220/250Hz
Slope.....	12/18/24dB/Oct
Low pass filter:	
Frequency	
.....	30/40/50/60/70/80/90/100/120/150/180/220/250Hz
Slope.....	12/18/24dB/Oct
Time alignment	
Front/ Rear/ Sub Woofer.....	0~6.1m (5cm Step)
Center	0~3.4m (5cm Step)
Channel level	\pm 10dB

Navigation section (DNX8220BT only)

Receiver.....	High-sensitivity GPS receiver
Reception Frequency	1575.42 MHz (C/A code)
Acquisition Times	
Cold	< 38 seconds
Factory Reset.....	< 45 seconds
(On average for a stationary receiver with a clear view of the sky)	
Accuracy	
Position	< 10 meters typical
Velocity.....	0.05 m/sec. RMS
Position Method	GPS
Antenna	External GPS antenna

General

Operating voltage.....	14.4 V (10.5 – 16 V allowable)
Maximum Current Consumption	15 A
Dimensions (W x H x D).....	182 x 112 x 163 mm
Operational Temperature Range	-10 $^{\circ}$ C – +60 $^{\circ}$ C
Storage Temperature Range	-20 $^{\circ}$ C – +85 $^{\circ}$ C
Weight (DNX8220BT).....	2.6 kg
Weight (DDX8022BT).....	2.55 kg

KENWOOD follows a policy of continuous advancements in development. For this reason specifications may be changed without notice.

US and foreign patents licensed from Dolby Laboratories. Although the effective pixels for the liquid crystal panel is given as 99.99% or more, 0.01% of pixels may not light or may light incorrectly.

DANGER:

Please do not look at the laser beam directly during repair or operation check.

